



T&S BRASS AND BRONZE WORKS, INC.
 2 Saddleback Cove / P.O. Box 1088
 Travelers Rest, SC 29690

Model No.
B-0107-C

Item No.

Travelers Rest, SC: 800-476-4103 • Simi Valley, CA: 800-423-0150 • Fax: 864-834-3518 • www.tsbrass.com

This Space for Architect/Engineer Approval

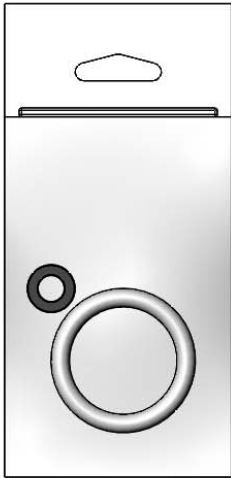
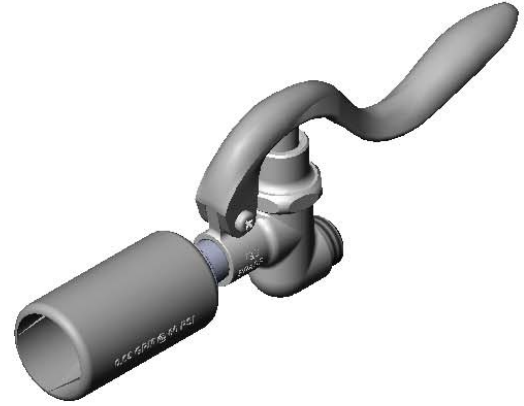
Job Name _____ Date _____

Model Specified _____ Quantity _____

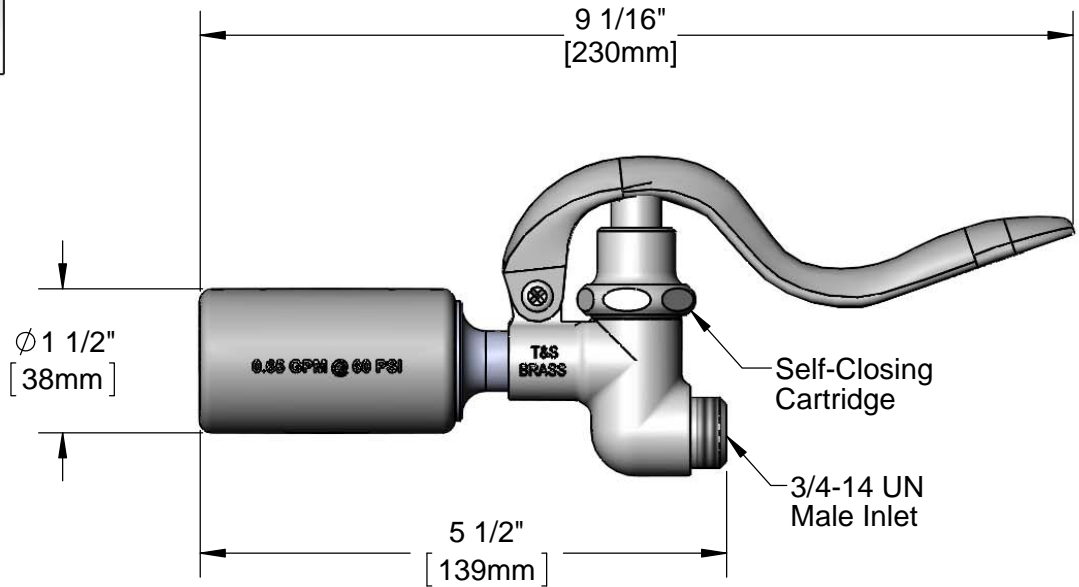
Customer/Wholesaler _____

Contractor _____

Architect/Engineer _____



Hose Washer &
 Hold Down Ring
 (Included)



Flow Rate: 0.65 GPM (2.5 Lpm) @ 60 PSI
 Spray Force: 4.4 Ozf (125 Gramf)

Product Specifications:
Self-Closing Pre-Rinse Spray Valve w/ 0.65 GPM Spray Nozzle

Product Compliance:
 ASME A112.18.1 / CSA B125.1
 NSF 61 - Section 9
 NSF 372 (Low Lead Content)
 EPA Act 2005 (PRSV)
 EPA WaterSense (PRSV)



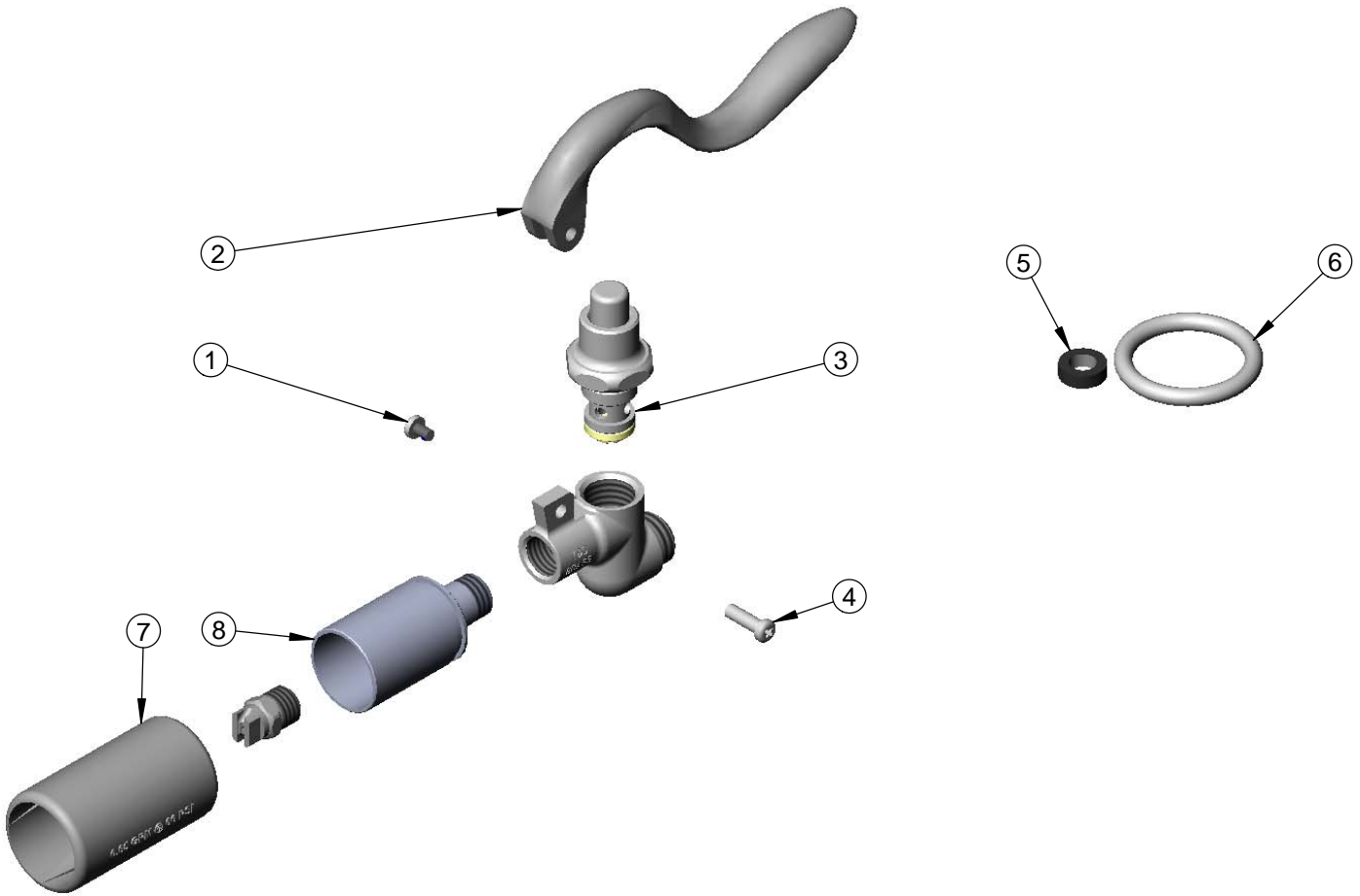
T&S BRASS AND BRONZE WORKS, INC.
 2 Saddleback Cove / P.O. Box 1088
 Travelers Rest, SC 29690

Model No.
B-0107-C

Item No.

Travelers Rest, SC: 800-476-4103 • Simi Valley, CA: 800-423-0150 • Fax: 864-834-3518 • www.tsbrass.com

| ITEM NO. | SALES NO. | DESCRIPTION |
|----------|-----------|----------------------------|
| 1 | 003199-45 | Spray Valve Handle Screw |
| 2 | 001120-45 | Spray Valve Handle |
| 3 | 002856-40 | Spray Valve Bonnet |
| 4 | 003198-45 | Spray Valve Handle Nut |
| 5 | 010476-45 | #27 Washer |
| 6 | 000907-45 | Spray Valve Hold Down Ring |
| 7 | 002659-45 | Shield, Low Flow 0.65 GPM |
| 8 | 003128-25 | Low Flow Nozzle Holder |



Product Specifications:
Self-Closing Pre-Rinse Spray Valve w/ 0.65 GPM Spray Nozzle

Product Compliance:
 ASME A112.18.1 / CSA B125.1
 NSF 61 - Section 9
 NSF 372 (Low Lead Content)
 EPA Act 2005 (PRSV)
 EPA WaterSense (PRSV)



T&S BRASS AND BRONZE WORKS, INC.
 2 Saddleback Cove / P.O. Box 1088
 Travelers Rest, SC 29690

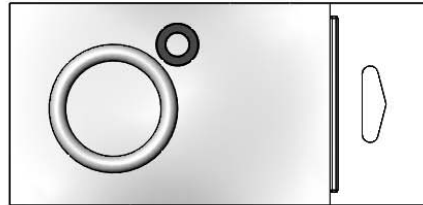
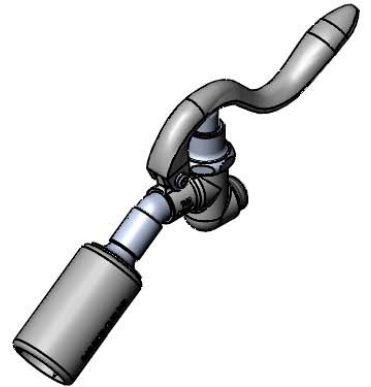
Model No.
B-0107-C35

Item No.

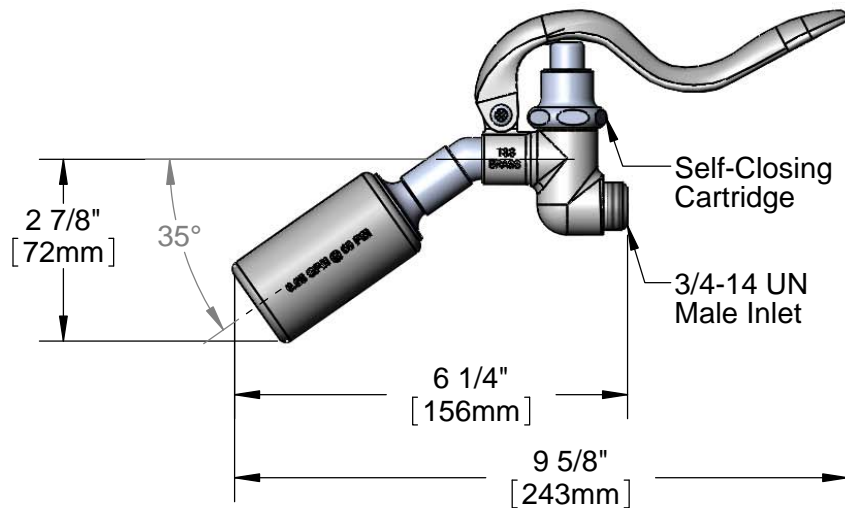
Travelers Rest, SC: 800-476-4103 • Simi Valley, CA: 800-423-0150 • Fax: 864-834-3518 • www.tsbrass.com

This Space for Architect/Engineer Approval

Job Name _____ Date _____
 Model Specified _____ Quantity _____
 Customer/Wholesaler _____
 Contractor _____
 Architect/Engineer _____



Hose Washer &
 Hold Down Ring
 (Included)



Product Specifications:
Pre-Rinse Spray Valve w/ Angled Low-Flow 0.65 GPM Spray Nozzle

Product Compliance:
 ASME A112.18.1 / CSA B125.1
 NSF 61 - Section 9
 NSF 372 (Low Lead Content)
 EPA Act 2005 (PRSV)



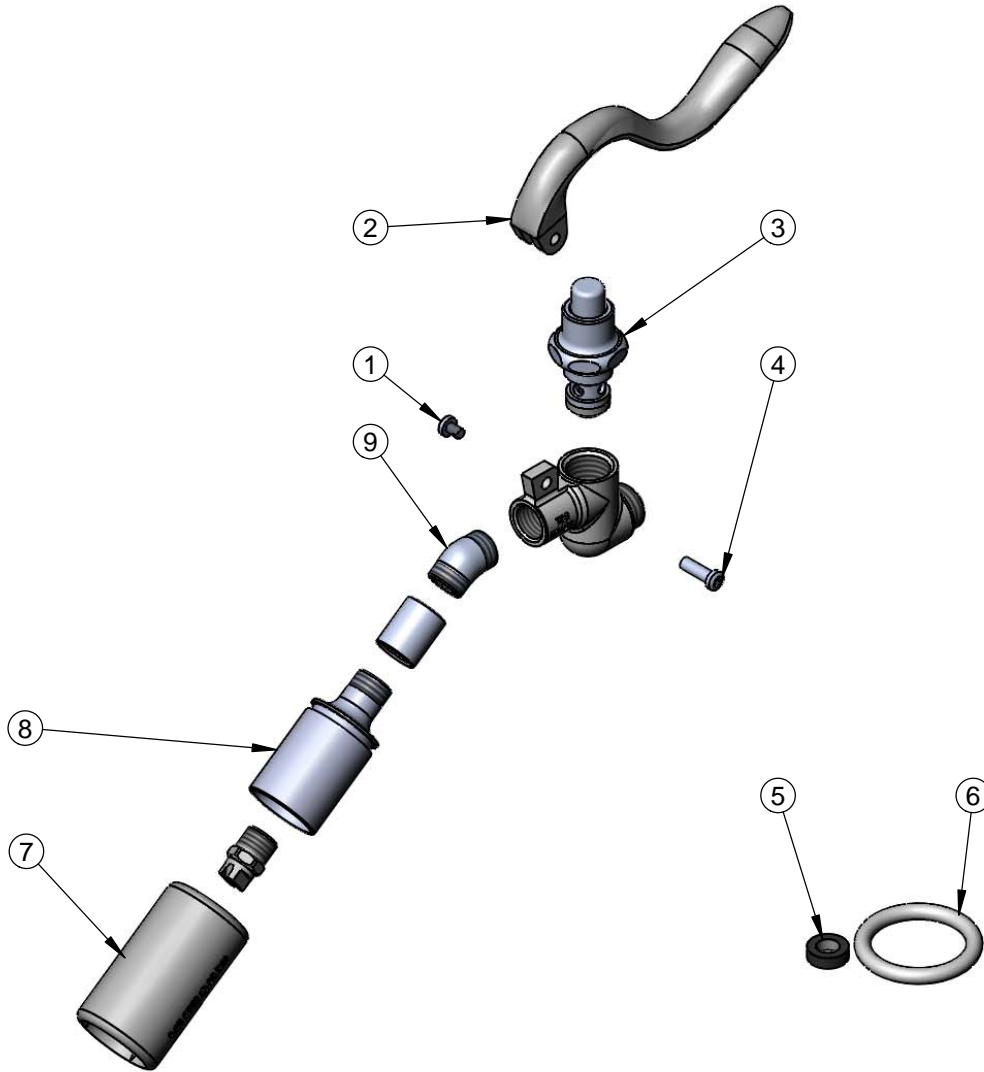
T&S BRASS AND BRONZE WORKS, INC.
2 Saddleback Cove / P.O. Box 1088
Travelers Rest, SC 29690

Model No.
B-0107-C35

Item No.

Travelers Rest, SC: 800-476-4103 • Simi Valley, CA: 800-423-0150 • Fax: 864-834-3518 • www.tsbrass.com

| ITEM NO. | SALES NO. | DESCRIPTION |
|----------|-----------|--|
| 1 | 003199-45 | Spray Valve Handle Screw |
| 2 | 001120-45 | Spray Valve Handle |
| 3 | 002856-40 | Spray Valve Bonnet |
| 4 | 003198-45 | Spray Valve Handle Nut |
| 5 | 010476-45 | #27 Washer |
| 6 | 000907-45 | Spray Valve Hold Down Ring |
| 7 | 002659-45 | Spray Valve Low Flow 0.65 GPM Shield |
| 8 | 003128-25 | Low Flow Nozzle Holder (Chrome Plated) |
| 9 | 0032 | Spray Valve 35° Elbow |



Product Specifications:
Pre-Rinse Spray Valve w/ Angled Low-Flow 0.65 GPM Spray Nozzle

Product Compliance:
ASME A112.18.1 / CSA B125.1
NSF 61 - Section 9
NSF 372 (Low Lead Content)
EPA 2005 (PRSV)



T&S BRASS AND BRONZE WORKS, INC.
 2 Saddleback Cove / P.O. Box 1088
 Travelers Rest, SC 29690



REG. #A2601
 ISO #9001

Model No.
B-0107-C90

Item No.

Travelers Rest, SC: 800-476-4103 Simi Valley, CA: 800-423-0150 Fax: 864-834-3518 www.tsbrass.com

This Space for Architect/Engineer Approval

Job Name _____ Date _____

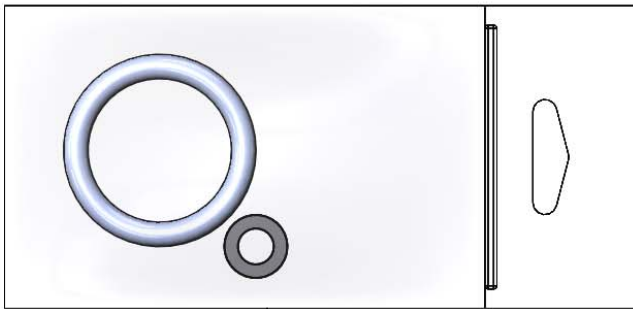
Model Specified _____ Quantity _____

Customer/Wholesaler _____

Contractor _____

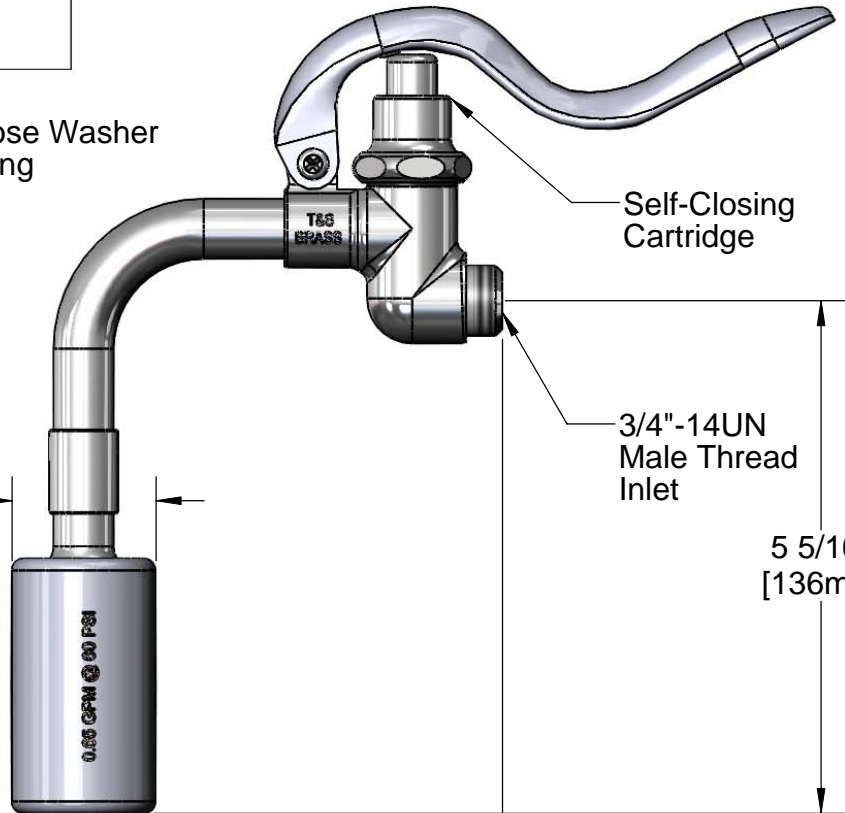
Architect/Engineer _____

EPAct 2005 Compliant



Furnished w/ Hose Washer & Hold Down Ring

Ø 1 1/2"
 [38mm]



Self-Closing Cartridge

3/4"-14UN
 Male Thread
 Inlet

5 5/16"
 [136mm]

4 1/2"
 [114mm]

Product Specifications:
 Spray Valve Unit w/ 90 Degree Angle Low-Flow Nozzle, 0.65 GPM

Drawn
 JRM

Checked
 DMH

Approved
 JHB

Scale:

NTS

Date:

08/27/09



T&S BRASS AND BRONZE WORKS, INC.

2 Saddleback Cove / P.O. Box 1088
Travelers Rest, SC 29690



REG. #A2601
ISO #9001

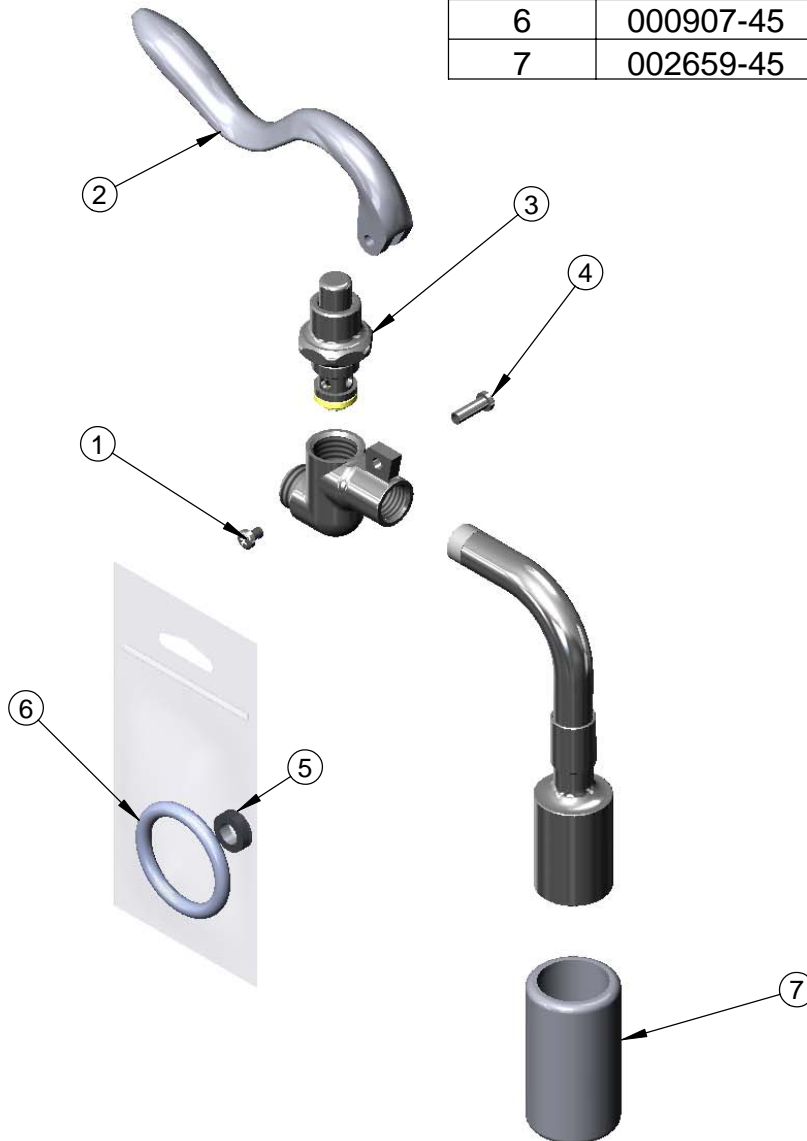
Model No.

B-0107-C90

Item No.

Travelers Rest, SC: 800-476-4103 Simi Valley, CA: 800-423-0150 Fax: 864-834-3518 www.tsbrass.com

| ITEM NO. | SALES NO. | DESCRIPTION |
|----------|-----------|-----------------------------|
| 1 | 003199-45 | Handle Screw, Spray Valve |
| 2 | 001120-45 | Spray Valve Handle |
| 3 | 002856-40 | Bonnet Asm, Spray Valve |
| 4 | 003198-45 | Handle Nut, Spray Valve |
| 5 | 010476-45 | #27 Washer |
| 6 | 000907-45 | Ring, Spray Valve Hold Down |
| 7 | 002659-45 | Shield, Low Flow 0.65 GPM |



Product Specifications:

Spray Valve Unit w/ 90 Degree Angle Low-Flow Nozzle, 0.65 GPM

Drawn

JRM

Checked

DMH

Approved

JHB

Scale:

NTS

Date:

08/27/09