

## SENSOR-OPERATED WALL-MOUNT FOAM SOAP DISPENSER

Mounts quickly and conveniently.

Chrome plate finish complements restroom style.



Sight glass indicates low soap level.

Automatically dispenses pre-measured foam soap.

The SJS-1150 sensor-operated foam soap dispenser is the next evolution in dispenser technology. It uses a cartridge refill that simplifies replacement and reduces waste.

Its battery-driven sensor technology delivers a pre-measured amount of foam soap per application.

- The sight glass indicates when soap level is low.
- Automatically delivers pre-measured foam soap per use
- Sensor activates dispensing
- Hand-free operation promotes hygiene
- Attaches to any wall in minutes
- Replaceable batteries (4 C batteries)
- Batteries not included

**Product Number:** SJS-1150

**Product Code:** 700005

**Color:** Chrome

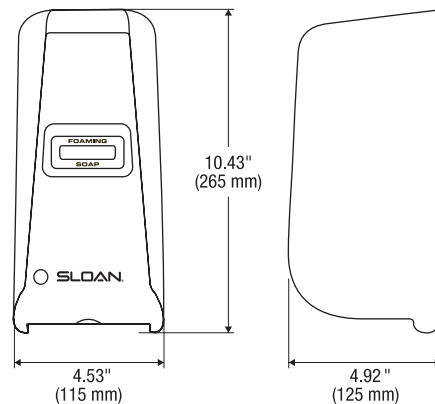
**Size:** W 4.53" x D 4.92" x H 10.43"  
(W 115 mm x D 125 mm x H 265 mm)

**Quantity/pack:** 1

**Quantity/case:** 6

### Refills:

Product No.	Description	Order No.
SJS-1151	Sensor Wall-Mount Foam Soap	0700505
SJS-1151-1	Sensor Wall-Mount Foam Soap with Moisturizers	0700506
SJS-1151-2	Sensor Wall-Mount Foam Soap Antimicrobial	0700507



The information contained in this document is subject to change without notice.

### Air Delights, Inc.

9974 SW Arctic Dr.  
Beaverton, OR 97005  
Phone: 800-440-5556  
Fax: 503-643-8224  
www.airdelights.com

©2007 Sloan Valve Company  
Sloan JANSAN  
A Division of Sloan Valve Company  
Printed in the U.S.A. JSD6051.1 1/07