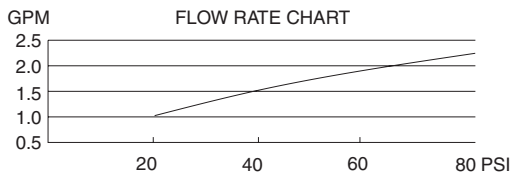


7" FAN SHAPED SHOWERHEAD

Description

- 7" diameter showerhead with four blades and 9" adjustable shower arm
- Hub and blades hold easy to clean rubber jets
- Solid brass construction

Flow & Valving



D461691

Available Colors & Finish

- Chrome

Flow Rate

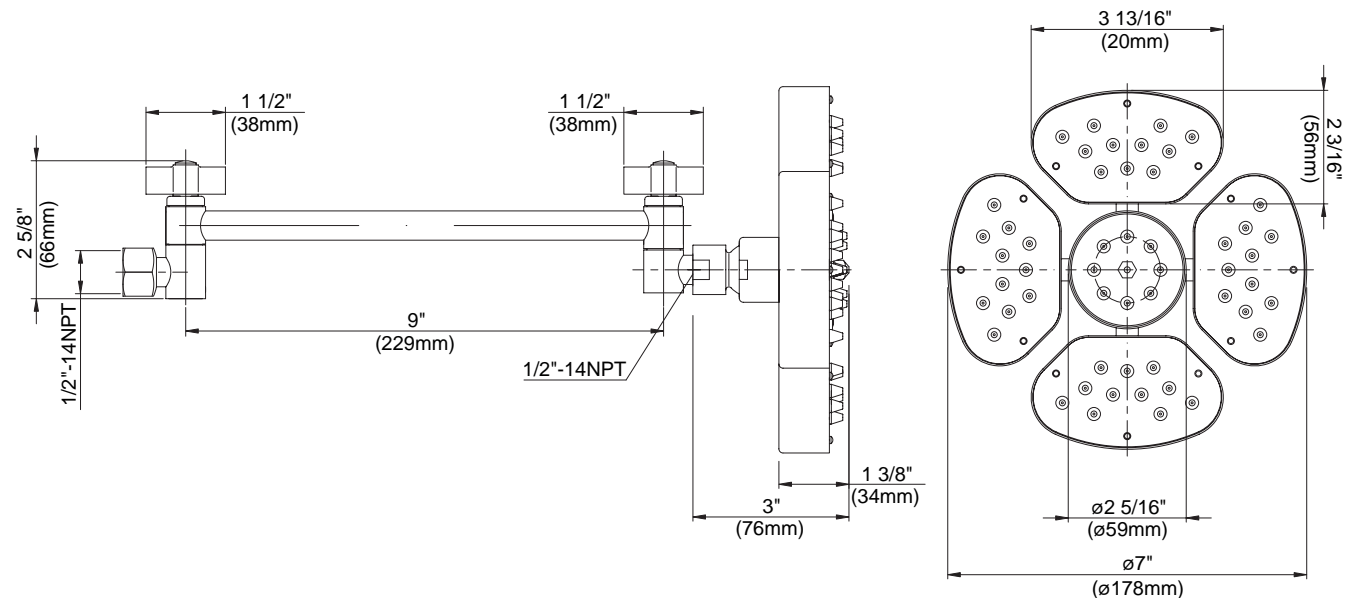
- Conforms to Energy Policy Act of 1992 - maximum flow rate at 80psi of 2.5gpm.

Standards

- Listed IAPMO/UPC
- CSA B125
- Energy policy act of 1992

Warranty

Danze showerheads are covered by a manufacturer's limited "lifetime" warranty for manufacturing defects.



Specific Features: _____ Submitted Model No.: _____

SD461691/03-06.01