

# AutoFaucet®

with Infrared Sensors

500389  
500388

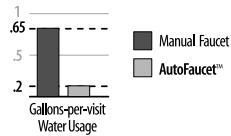
4" Plate 8" Plate

## Increased Sanitation & Hygiene

The automatic no-touch infrared sensors eliminates cross-contamination.

### 70% Water Savings

Extensive testing shows a significant decrease in average water usage and cost.



### Best Performance Level

Dual sensor placement was designed according to ergonomic studies, ensuring natural and reliable usage.

### Kit Includes:

- 1.5 GPM Aerator
- Mixing Valve
- (3) Supply Hoses
- Cover plate (either 4" or 8")
- Mounting Hardware

### Optional Aerators:

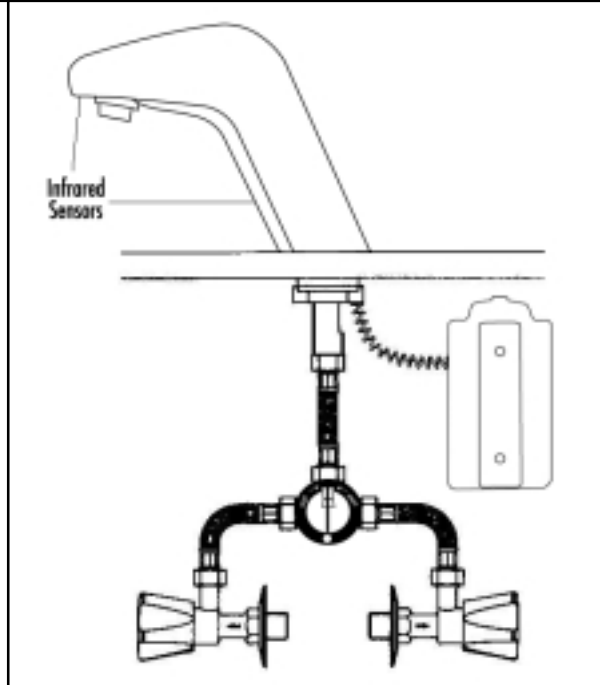
- 401190 0.5 GPM Aerator for water savings
- 401148 2.0 GPM Aerator for hard water

### Specifications

|                           |   |
|---------------------------|---|
| Battery Power:            | 4D cell Alkaline<br>(up to 3+ years life cycle) |
| Sinkhole Diameter:        | 7/8" to 1 1/8"                                  |
| Operating Water Pressure: | 7-175 psi                                       |
| Operating Temperature:    | 35°F to 159°F (2°C to 70°C)                     |
| Running Time:             | 90 Seconds                                      |

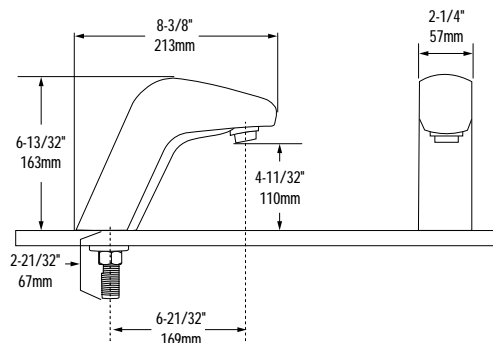
### Operations

- 1) Invisible light rays are continually emitted from the faucet sensor.
- 2) When the user's hands come into range of the sensor's detection zone, the valve is activated.
- 3) After the user removes their hands, the valve closes. The circuit automatically resets for the next user.



Case Pack: 4  
Case Weight: 35 lbs.  
Case Cube: 1.6

- 4) If an object is in view continuously for ninety seconds, the faucet will automatically shut off. The faucet will remain off until the object is removed. After the object is removed, the faucet functions normally.



*Air Delights*

[www.airdelights.com](http://www.airdelights.com)

9974 SW Arctic Dr  
Beaverton, OR 97005 Toll  
Free: 1-800-440-5556  
Fax: 503-643-8224

