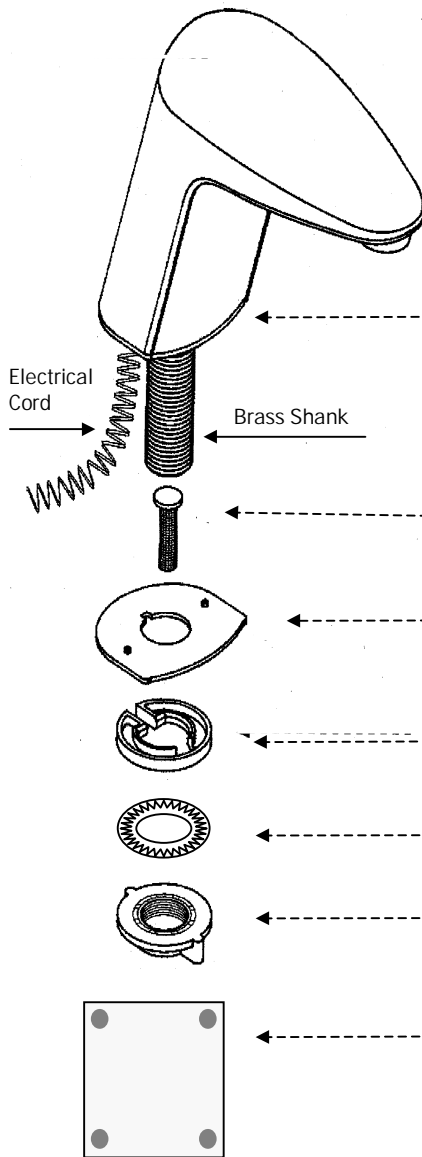


AutoFaucet™

Air Delights

INSTALLATION INSTRUCTIONS

All plumbing is to be installed in accordance with applicable codes and regulations.



Faucet Parts List

1. Automatic Faucet
 - > 1.5 GPM Aerator
 - > Infrared Sensor with Automatic Range Adaptation
2. Dirt Filter (comes installed in shank)
3. Adhesive Washer (already in place)
4. Protective Ring
5. Lock Washer
6. Mounting Nut & Wrench
7. Battery Box
 - > 6 AA Alkaline Batteries Included
 - > Battery Life = 400,000 cycles (up to 2 years)

Options

8. 4" or 8" Cover Plate
9. Main Supply Hose
 - > 1/2" F.I.P. by 3/8" F.I.P.
10. Mixing Valve with Check Valves
 - > 3/8" by 3/8" by 3/8"
11. Hot & Cold Supply Line Hoses (2)
 - > 3/8" F.I.P. by 3/8" Compression

AUTOFAUCET INSTALLATION INSTRUCTIONS

Prior to Installation

Turn off water supply and remove existing faucet. Assure supply lines are completely flushed and free of debris. Wash and dry the sink around the mounting area.

Cover Plate Installation (optional)

Remove plastic sheet from bottom of adhesive washer (3). Guide electrical cord and brass shank through cover plate (8). Firmly press the adhesive washer against the cover plate for 1 minute.

Spout Installation

Guide electrical cord and brass shank through sink hole. Orient protective ring (4) to shank underneath counter top.

Ensure electrical cord passes through the groove.

Orient the lock washer (5). Attach the mounting nut (6) and tighten with supplied wrench.

Ensure nut does not pinch electrical cord.

Water Supply Installation

(Remove and discard nut and brass collar from each threaded mount on mixing valve before attempting to fasten supply hoses).

Attach all supply hoses to Mixing Valve (10).

Attach main supply hose (9) to brass shank.

Attach mixing hoses (11) to hot & cold supply line connection.

Battery Box Installation

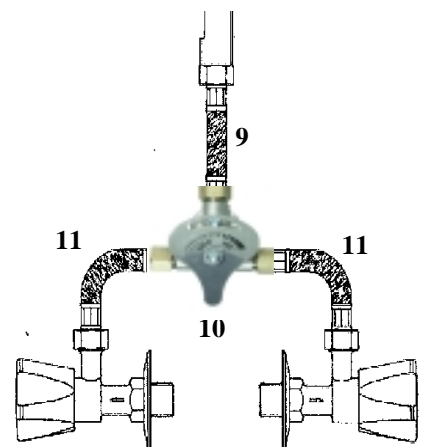
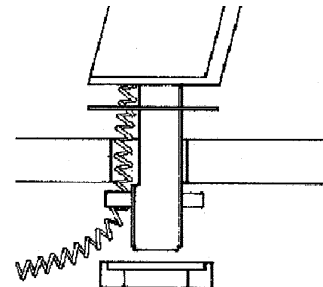
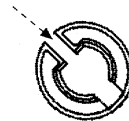
Determine a convenient location on the wall to install the battery box (7). Mark and drill holes and insert the anchors. Attach the battery box with the supplied screws. Remove the top screws from the box and install the 6 AA batteries (included). Re-attach the screws and tighten. Connect the two electrical wires together.

Operating the Faucet

Turn each of the water supplies on full. Place hands under the faucet. To regulate the temperature of the water, loosen top screw on face of the mixing valve, slide the HOT/COLD ADJUSTER back and forth until desired temperature is achieved. Tighten screw on face of mixing valve to lock in position.

Maintenance & Care Do not use abrasive or acid cleaners - they may dull the chrome. Use only soap and water to clean the spout, then wipe dry with a cloth.

Protective Ring Groove



Air Delights
www.airdelights.com

9974 SW Arctic Dr • Beaverton, OR 97006 • 1-800-440-5556 • (Fax) 1-503-643-8224