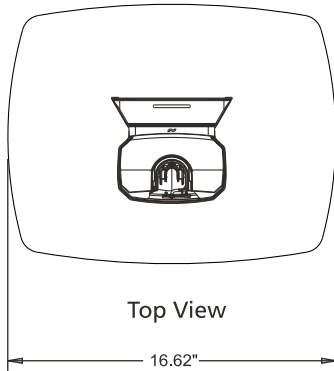
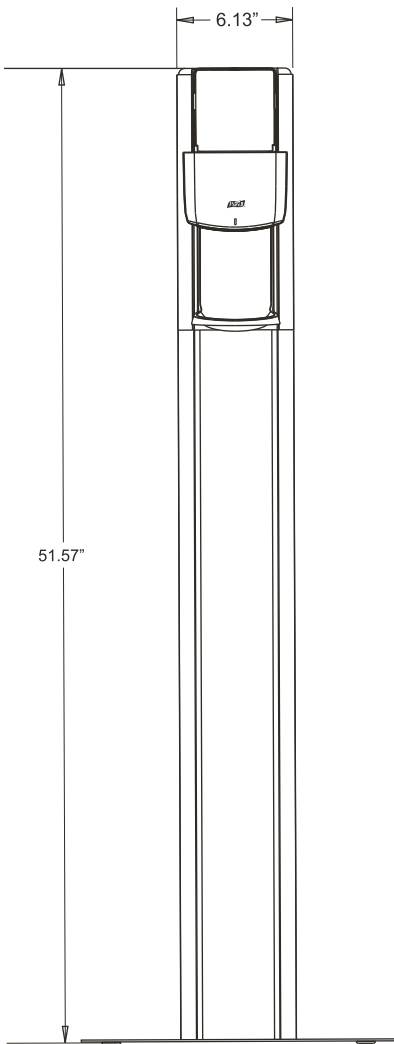


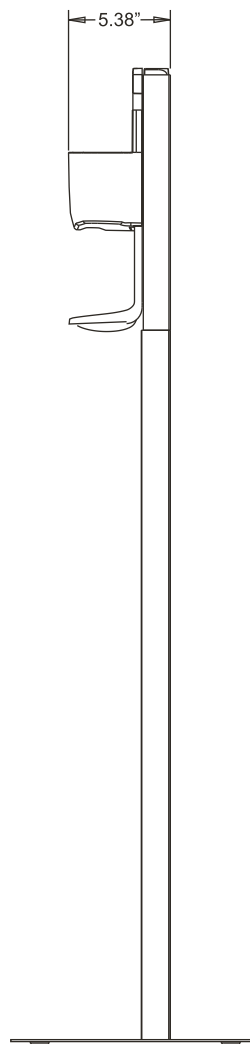
PURELL MESSENGER™ STAND DIMENSIONS



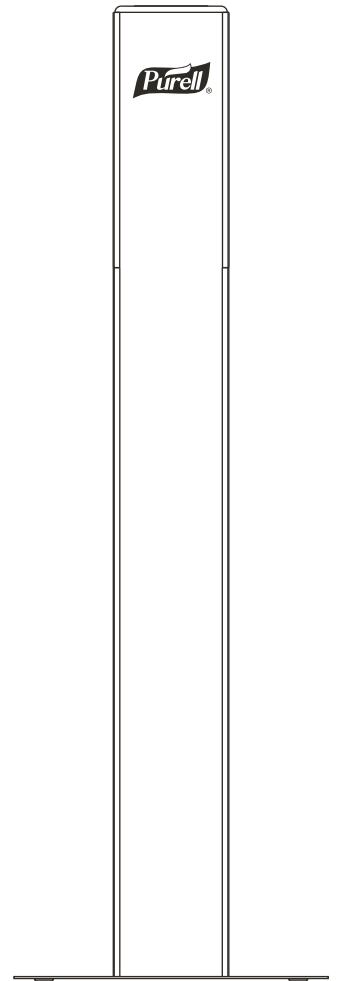
Use the dimensions provided to ensure adequate floor spacing and clearance for the unit.
Refill sold separately.



Front View



Side View



Back View



GOJO Industries, Inc.
One GOJO Plaza, Suite 500
P.O. Box 991 • Akron, OH 44309-0991
Tel: 1-330-255-6000 • Toll-free: 1-800-321-9647
Fax: 1-800-FAX-GOJO