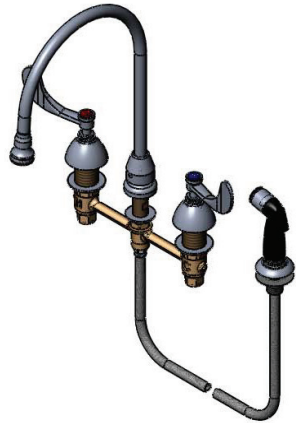




**Easy Install™**

**8" FIXED CENTER  
CONCEALED  
WIDESPREAD  
B-2300, B-2800,  
B-2900 SERIES**  
Patent # 7,472,434

**Installation and  
Maintenance  
Instructions**



**Limited One Year Warranty**

T&S warrants to the original purchaser (other than for purposes of resale) that such product is free from defects in material and workmanship for a period of one (1) year from the date of purchase. During this one-year warranty period, if the product is found to be defective, T&S shall, at its option, repair and/or replace it. To obtain warranty service, products must be returned to.....

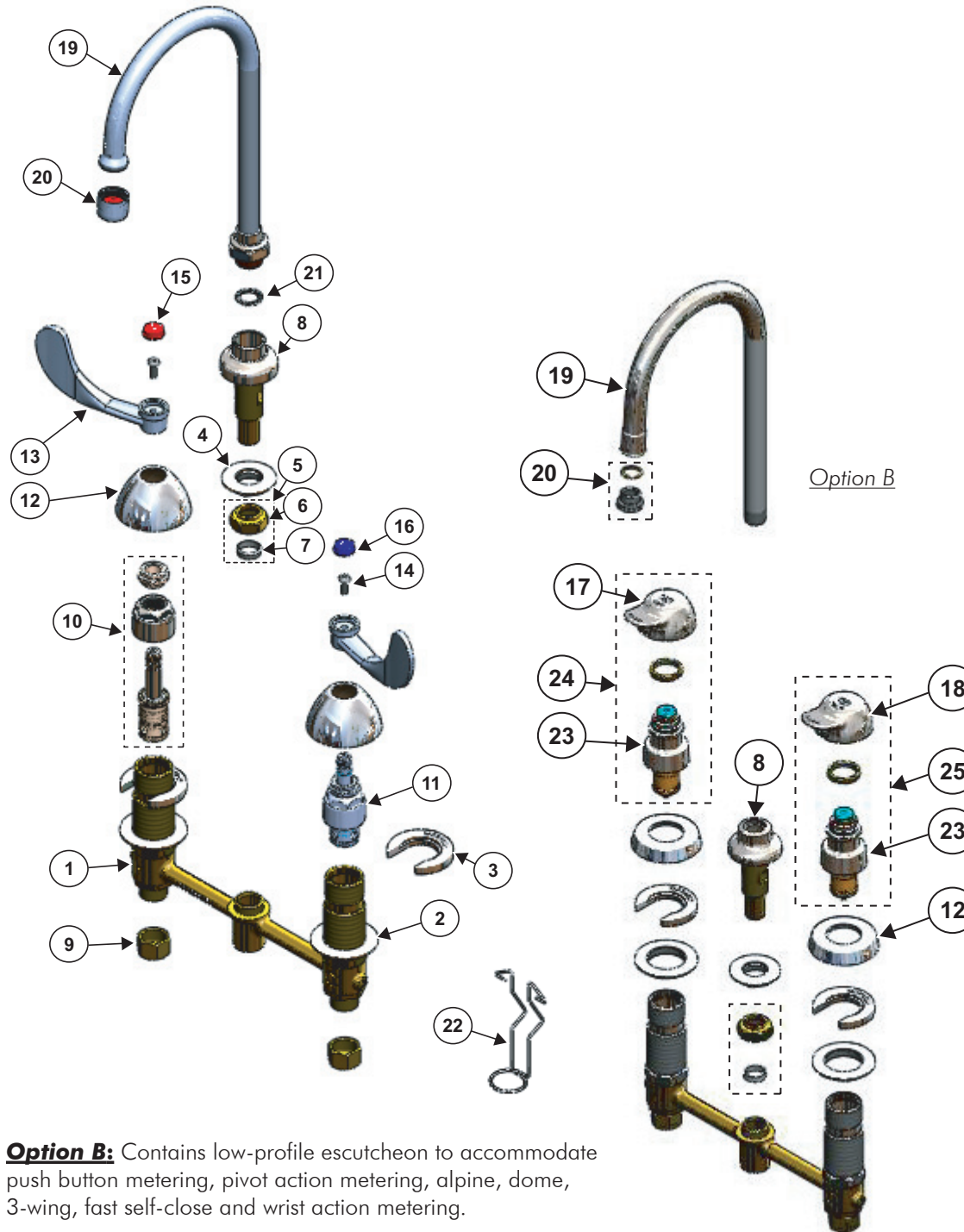
T&S Brass and Bronze Works, Inc.  
Attn: Warranty Repair Department  
2 Saddleback Cove  
Travelers Rest, SC 29690

Shipping, freight, insurance, and other transportation charges of the product to T&S and the return of repaired or replaced product to the purchaser are the responsibility of the purchaser. Repair and/or replacement shall be made within a reasonable time after receipt by T&S of the returned product. This warranty does not cover items which have received secondary finishing or have been altered or modified after purchase, or for defects caused by physical abuse to or misuse of the product, or shipment of the products.

Any express warranty not provided herein, and any remedy for Breach of Contract which might arise, is hereby excluded and disclaimed. Any implied warranties of merchantability or fitness for a particular purpose are limited to one year in duration. Under no circumstance shall T&S be liable for loss of use or any special consequential costs, expenses or damages.

Some states do not allow limitations on how long an implied warranty lasts or the exclusion or limitation of incidental or consequential damages, so the above limitations or exclusions may not apply to you. Specific rights under this warranty and other rights vary from state to state.

P/N: 098-016898-45 Rev. 2  
DATE: 11-08-10  
DRAWN: TEH  
CHECKED: JRM 11-12-10  
APPROVED: JHB 11-12-10



**Option B:** Contains low-profile escutcheon to accommodate push button metering, pivot action metering, alpine, dome, 3-wing, fast self-close and wrist action metering.

**Parts List**

1	Base Faucet Assembly	N/A	
2	Side Flange Nut	N/A	
3	C-Washer	016749-45	
4	Center Flange Nut	016742-45	
5	Compression & Nut Fitting	016745-45	
6	Compression Nut	N/A	
7	Compression Fitting	N/A	
8	Center Shank:		
	Center Shank, Swivel	016754-40	
	Center Shank, Rigid	016847-40	
9	Coupling Nut	000958-20	
12	Escutcheons:		
	Escutcheon, Bell	001257-40	
	Escutcheon, Metering	017292-45	Opt.B
22	Hanger	016777-45	
19	Rigid & Swivel Goosenecks	Inquire w/ T&S	
20	Aerators:		
	55/64"-27 Female Threads	B-0199-01	
	3/8" NPSM Male Threads	B-0199-02	
	13/16"-27 Male Threads	B-0199-03	
	Stream Regulator, Plain	B-LT	
	Stream Regulator w/ Screen	B-PT	
	Sidespray & Hose Assembly	001495-45	
21	Star Washer, Anti-Rotation	014200-45	

**Cartridge Assemblies**

10	Cartridge, Hot Eterna Teflon	016753-40	
	Cartridge, Hot Cerama	016767-25	
11	Cartridge, Cold Eterna Teflon	016752-40	
	Cartridge, Cold Cerama	016768-25	
	Wrist Action Metering	012449-40	Opt.B
	Hot Eterna Teflon - Short	017327-40	Opt.B
23	Push Button Metering	238A	Opt.B
24	Pivot Action Metering - Hot (shown)	238AH-PA	Opt.B
25	Pivot Action Metering - Cold (shown)	238AC-PA	Opt.B

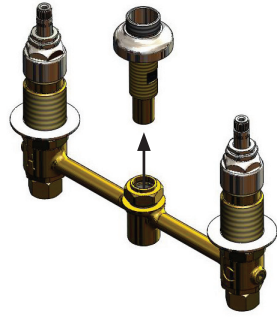
**Handle Assemblies**

13	Handle, 4" Wrist Action (shown)	B-WH4	
	Handle, Lever	001638-45	
	Handle, 4-Arm	002521-45	
14	Screw, 4" Wrist Action (shown)	000925-45	
	Screw, Lever Handle	000922-45	
15	Index, Snap-In Red (Hot) (shown)	001194-45	
	Index, Lever Handle (Hot)	001661-45	
16	Index, Snap-In Blue (Cold) (shown)	001686-45	
	Index, Lever Handle (Cold)	001660-45	
17	Pivot Action Handle - Hot	PA-H	Opt.B
18	Pivot Action Handle - Cold	PA-C	Opt.B
	Cold Cap Assembly	014195-40	Opt.B
	Hot Cap Assembly	014194-40	Opt.B
	Lavatory Handle, 3-Wing - Cold	001784-40	Opt.B
	Lavatory Handle, 3-Wing - Hot	001783-40	Opt.B
	Fast Self-Closing Asm - Cold	002875-40	Opt.B
	Fast Self-Closing Asm - Hot	002876-40	Opt.B
	Cold Alpine Handle Assembly	076F-C	Opt.B
	Hot Alpine Handle Assembly	076F-H	Opt.B

Before starting the installation, be sure to flush supply lines and shut off water supply.

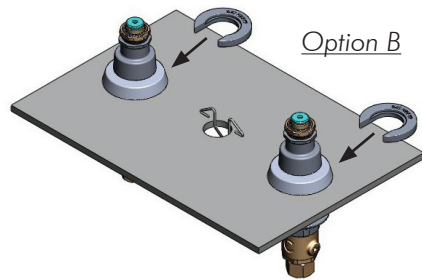
**Step 1:**

Take center shank out of body.



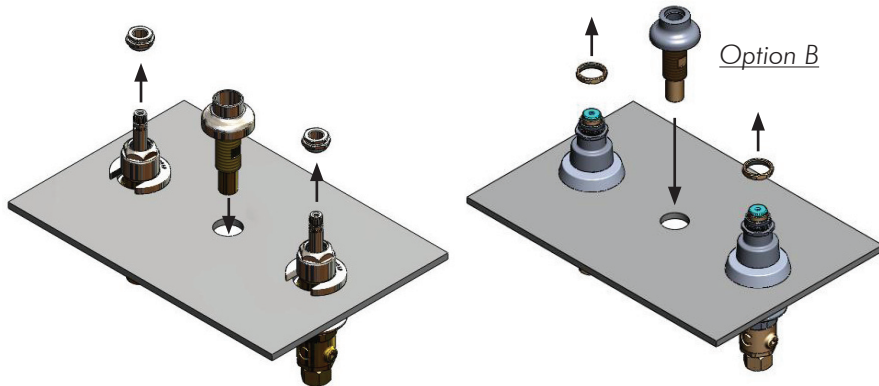
**Step 4:**

*Option B:* Screw metering escutcheons over c-washers. Tighten cartridges.



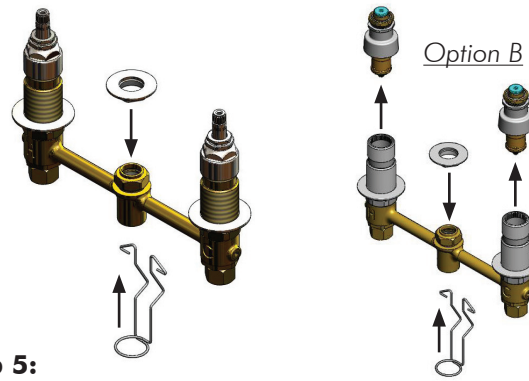
**Step 6:**

Remove nuts as shown. *Option B:* Remove retaining rings from cartridges. Place center body through center hole into main body. Tighten 3 flange nuts. Tighten compression nut to seal center body.



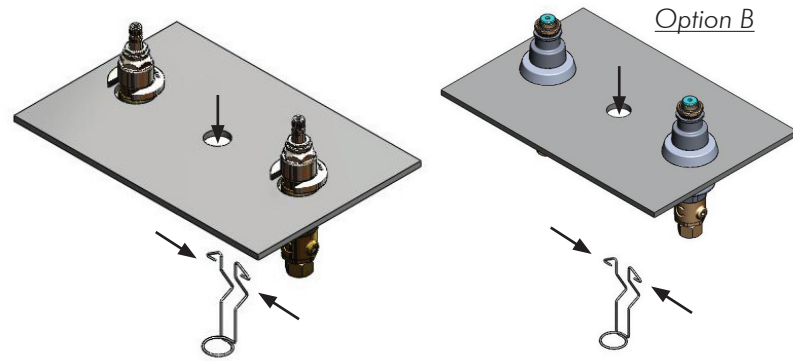
**Step 2:**

Place hanger on body. Add center flange nut to top of compression nut. *Option B:* Remove cartridges.



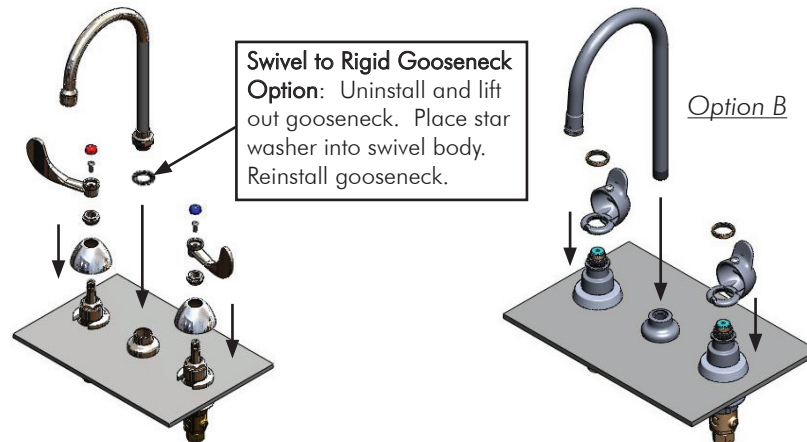
**Step 5:**

Squeeze hanger loops and allow hanger to drop through center hole.



**Step 7:**

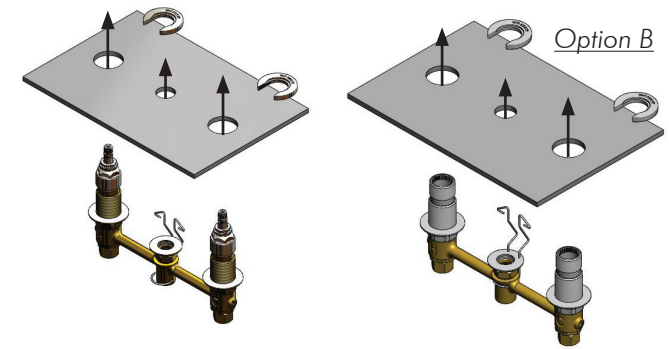
Add escutcheons, packing nuts, handles, spout and tighten. *Option B:* Add handles, retaining rings, spout and tighten. Turn on water supply and check for leaks.



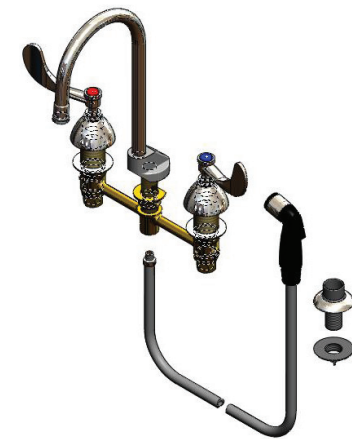
**Swivel to Rigid Gooseneck Option:** Uninstall and lift out gooseneck. Place star washer into swivel body. Reinstall gooseneck.

**Step 3:**

Insert body into deck holes until hanger snaps to top of deck. Place c-washers under bonnet nuts on side bodies.



For models with sidespray:



1. Tighten diverter to center body using flat head screwdriver.
2. Remove locknuts from hose guide, place it through existing hole in sink. Reinstall locknut on the hose guide. Tighten by hand.
3. Apply Teflon tape to threaded end of sidespray, insert through hose guide and attach threaded end of side spray to base of center body. Tighten with wrench.
4. Turn on water and check for leaks.



#### Limited One Year Warranty

T&S warrants to the original purchaser (other than for purposes of resale) that such product is free from defects in material and workmanship for a period of one (1) year from the date of purchase. During this one-year warranty period, if the product is found to be defective, T&S shall, at its options, repair and/or replace it. To obtain warranty service, products must be returned to...

*T&S Brass and Bronze Works, Inc.  
Attn: Warranty Repair Department  
2 Saddleback Cove  
Travelers Rest, SC 29690*

Shipping, freight, insurance, and other transportation charges of the product to T&S and the return of repaired or replaced product to the purchaser are the responsibility of the purchaser. Repair and/or replacement shall be made within a reasonable time after receipt by T&S of the returned product. This warranty does not cover items which have received secondary finishing or have been altered or modified after purchase, or for defects caused by physical abuse to or misuse of the product, or shipment of the products.

Any express warranty not provided herein, and any remedy for Breach of Contract which might arise, is hereby excluded and disclaimed. Any implied warranties of merchantability or fitness for a particular purpose are limited to one year in duration. Under no circumstances shall T&S be liable for loss of use or any special consequential costs, expenses or damages.

Some states do not allow limitations on how long an implied warranty lasts or the exclusion or limitation of incidental or consequential damages, so the above limitations or exclusions may not apply to you. Specific rights under this warranty and other rights vary from state to state.

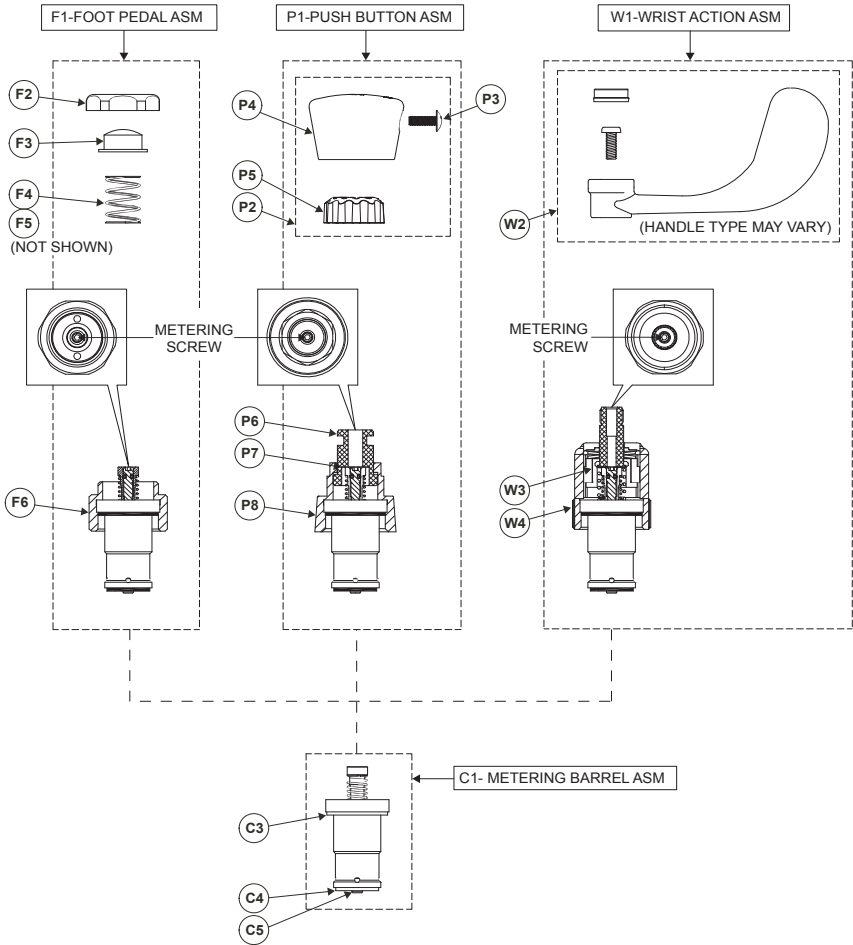
P/N: 098-014733-45 Rev.1  
Date: 05-18-10  
Drawn: TEH  
Checked: GEF 09-13-10  
Approved: JHB 09-13-10

# Installation and Maintenance Instructions



## METERING BARREL ASSEMBLY

# Exploded View



# Part Number Guide

## ***Foot Pedal***

F1	Asm, <b>Floor</b> Mounted Foot Pedal	011399-40
F2	Screw Cap, Foot Pedal	*
F3	Button, Foot Pedal	*
F4	Spring	*
F6	Bonnet, Foot Pedal	*
F1	Asm, <b>Wall</b> Mounted Foot Pedal	011406-40
F2	Screw Cap, Foot Pedal	*
F3	Button, Foot Pedal	*
F4	Spring	*
F5	Spring (011406-40 Asm Not Shown)	*
F6	Bonnet, Foot Pedal	*

## ***Push Button***

P1	Push Button Asm, Blank Valve	238AB
	Screw Cap, Foot Pedal	238AH
	Button, Foot Pedal	238AC
P2	Blank Cap Asm, Push Button	014193-40
	Hot Cap Asm, Push Button	014194-40
	Cold Cap Asm, Push Button	014195-45
P3	Screw Cap, Push Button	014145-45
P4	Blank Cap, Push Button	*
	Hot Cap, Push Button	*
	Cold Cap, Push Button	*
P5	Insulator, Push Button	*
P6	Guide Bushing, Push Button	*
P7	Kapton Washer (Not Shown)	*
P8	Bonnet, Push Button	*

## ***Wrist Action***

W1	Wrist Action Asm	012449-40
W2	Handle Asm (Various Options Available)	*
W3	Repair Kit, Wrist Action	012555-40
	Return Spring	*
	Kapton Washer	*
	Asm, Stem Cam	*
	Linear Cam	*
	Bellville Springs	*
	Stem Bushing	*
W2	Bonnett	*

## ***Metering Barrel Assembly***

C1	Metering Barrel Assembly	014152-40
C2	Seal Repair Kit	014152-40K
C3	Top Seal	*
C4	Bottom Seal	*
C5	Stem Seal	*

\* Items not sold as separate parts; listed for instruction purposes only.

# General Instructions

## Tools Required:

### *Foot Pedal*

- 1 Allen Wrench (3/32")
- 1 1-1/4 Wrench
- 1 1-3/8 Wrench

### *Push Button*

- 1 Allen Wrench (3/32")
- 1 15/16 Wrench
- 1 #8 Spanner Bit/Wrench

### *Wrist Action*

- 1 Allen Wrench (3/32")
- 1 1-3/8 Wrench

## Metering Cartridge:

*Note: Each metering cartridge is preset for approximately 10 seconds at the factory. They may be reset at installation. If water pressure varies, the cycle time will also vary. T&S advises to flush the supply lines prior to new faucet or replacement part installation.*

## Adjustment

### 1. Handle/Cap Removal

*Foot Pedal:* Unscrew screw cap (F2) from assembly. Remove F3 and F4 (and F5 if installed).

*Push Button:* Unscrew P3 from cap. Remove P4.

*Wrist Action:* Remove W2. Various handle assemblies are available. Majority of handle assemblies contain handle, screw, and index tab.

### 2. Timing Adjustment

1/8 turn increments  
clockwise for longer  
flow time



1/8 turn increments  
counter-clockwise for  
shorter flow time



Refer to exploded view for metering screw location.

Depress stem (with P5 insulator installed) fully to verify timing and make adjustments if necessary after valve has closed.

### 3. Reinstall handle assembly

## Cartridge Replacement:

1. Turn off water supply.
2. Perform step 1 in adjustment section.
3. Unscrew F6 (foot pedal), P8 (push button), or W4 (wrist action) from faucet body.

4. Unscrew C1 from F6, P8, or W4.

Note: Cartridge may have unscrewed from bonnet during bonnet removal.

5. Discard old C1 and its attached seals.

6. Screw new C1 into bonnet (F6, P8, or W4).

7. Verify that external seals are intact (C3, C4, C5). It is helpful to push C3 into bonnet until it bottoms out. This will insure proper sealing with the faucet body.

8. Screw assembly securely (30 lbs minimum) into faucet body.

9. Turn on water supply and check for leaks.

10. Reinstall handle assembly.

*Caution: If faucet has separate hot and cold controls, make certain that hot water shuts off before cold to avoid scalding.*

*Wrist Action Note: Install wrist action handles in an orientation that allows 1/4 turn (full activation of metering cartridge). Whenever possible, install handles to prevent valves from being intentionally stuck in open position when handle is rotated beyond intended 90° (1/4 turn) activation.*

## RELATED T&S BRASS PRODUCT LINE

---

### T&S BRASS AND BRONZE WORKS, INC.

A firm commitment to application-engineered plumbing products

2 Saddleback Cove, P.O. Box 1088,  
Travelers Rest, SC 29690

*Phone:* (864) 834-4102

*Fax:* (864) 834-3518

*E-mail:* [tsbrass@tsbrass.com](mailto:tsbrass@tsbrass.com)

T & S Brass-Europe  
'De Veenhoeve'

Oude Nieuwveenseweg 84

2441 CW Nieuwveen

The Netherlands



RELIABILITY BUILT IN™