



# Medical and Lavatory Faucets

## B-2820

**EasyInstall**

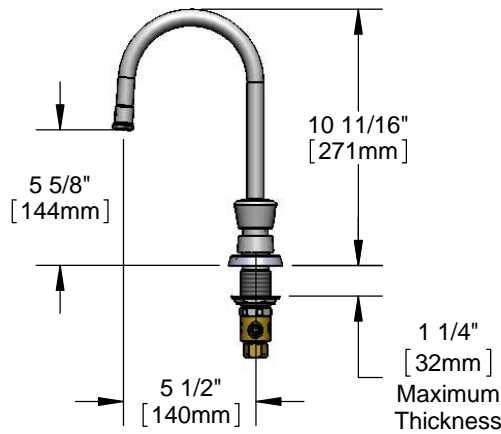
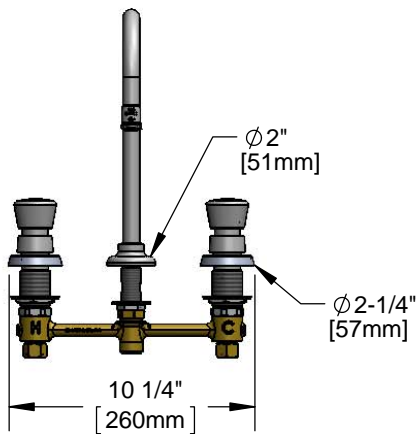
### Concealed Widespread Metering Faucet

TAG:

#### Architect/Engineering Specifications:

8" concealed deck mount mixing faucet with forged brass body, rigid gooseneck with stream regulator outlet, metering cartridges, push button caps, chrome plated escutcheons and 1/2" NPSM male inlets with coupling nuts. Certified to ASME A112.18.1/CSA B125.1, NSF 61-Section 9 and NSF 372. Meets ADA ANSI/ICC A117.1 requirements.

Job Name \_\_\_\_\_  
 Model Specified \_\_\_\_\_ Quantity \_\_\_\_\_  
 Variations Specified \_\_\_\_\_  
 Date \_\_\_\_\_



#### Features & Benefits:

- 8" EasyInstall concealed deck mount mixing faucet w/ forged brass body
- 5 1/2" rigid gooseneck
- Stream regulator outlet, Series 2
- Metering cartridges
- Adjustable metering cycle 10 to 30 seconds
- Push button caps w/ vandal resistant screw
- 1/2" NPSM male inlets with coupling nuts
- Material: Brass body, chrome plated metal handles and escutcheons, polished chrome plated brass tubular spout

#### Product Compliance:

- ASME A112.18.1 / CSA B125.1
- NSF 61 - Section 9
- NSF 372 (Low Lead Content)
- ANSI A117.1 (ADA)



**Warranty:** One Year (Limited)

#### Performance Data:

- Pressure: 20 - 125 psi
- Temperature: 40°F - 140°F
- Flow Rate: 5.31 GPM @ 60 psi
- Water Consumption: @ 10 sec = .89 gal  
@ 15 sec = 1.3 gal



#### Optional Outlets (Series 2 / VR Series 7)

GPM	Aerated	Non-Aerated (Laminar)	VR Aerated	VR Non-Aerated (VR Laminar)	Optional Cartridges
0.35	N/A	<input type="checkbox"/> B-0199-02-N035	N/A	<input type="checkbox"/> B-0199-07-N035	<input type="checkbox"/> Push Button Metering (Standard)
0.5	N/A	<input type="checkbox"/> B-0199-02-N05	N/A	<input type="checkbox"/> B-0199-07-N05	<input type="checkbox"/> Pivot Action Metering
1.0	<input type="checkbox"/> B-0199-02-F10	N/A	<input type="checkbox"/> B-0199-07-F10	N/A	<input type="checkbox"/> Wrist Action Metering
1.5	<input type="checkbox"/> B-0199-02-WS	N/A	<input type="checkbox"/> B-0199-07-WS	N/A	
2.2	<input type="checkbox"/> B-0199-02	N/A	<input type="checkbox"/> B-0199-07	N/A	



T&S BRASS AND BRONZE WORKS, INC.



• 2 Saddleback Cove • Travelers Rest, SC 29690  
 Ph 800-476-4103 • Fax 864-834-3518  
 • Simi Valley, CA • Ph 800-423-0150 • www.tsbrass.com

Date: 02/16/15



# Medical and Lavatory Faucets

## B-2821

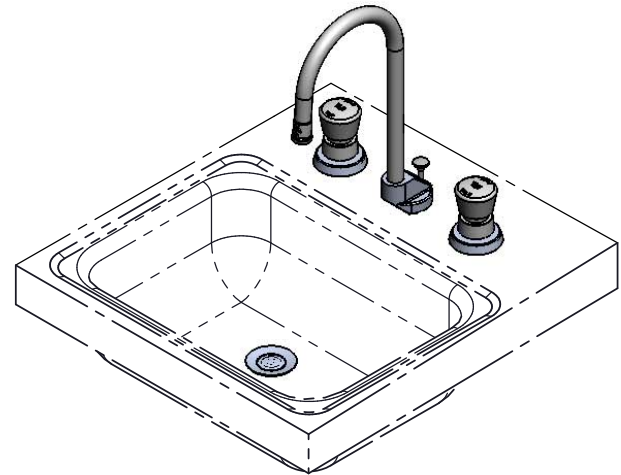
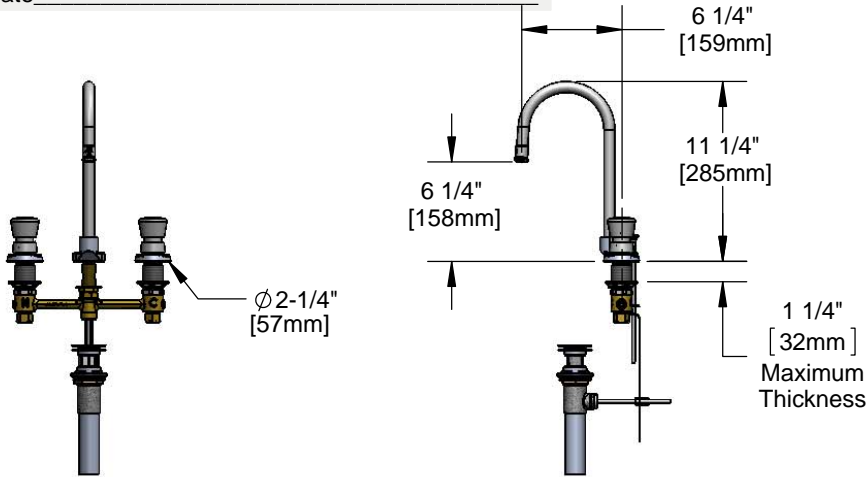
**EasyInstall** Concealed Widespread Metering Faucet

TAG:

### Architect/Engineering Specifications:

8" concealed deck mount mixing faucet with forged brass body, rigid gooseneck with stream regulator outlet, metering cartridges, push button caps, chrome plated escutcheons, 1/2" NPSM male inlets with coupling nuts and pop-up drain assembly. Certified to ASME A112.18.1/CSA B125.1, NSF 61-Section 9 and NSF 372. Meets ADA ANSI/ICC A117.1 requirements.

Job Name \_\_\_\_\_  
 Model Specified \_\_\_\_\_ Quantity \_\_\_\_\_  
 Variations Specified \_\_\_\_\_  
 Date \_\_\_\_\_



### Features & Benefits:

- 8" EasyInstall concealed deck mount mixing faucet w/ forged brass body
- 5 1/2" rigid gooseneck
- Stream regulator outlet, Series 2
- Metering cartridges
- Adjustable metering cycle 10 to 30 seconds
- Push button caps w/ vandal resistant screw
- 1/2" NPSM male inlets with coupling nuts
- Pop-up drain assembly with overflow opening and Ø 1 1/4" brass tailpiece
- Material: Brass body, chrome plated metal handles and escutcheons, polished chrome plated brass tubular spout, brass drain assembly with chrome plated drain stop

### Product Compliance:

- ASME A112.18.1 / CSA B125.1
- NSF 61 - Section 9
- NSF 372 (Low Lead Content)
- ANSI A117.1 (ADA)



**Warranty:** One Year (Limited)

### Performance Data:

- Pressure: 20 - 125 psi
- Temperature: 40°F - 140°F
- Flow Rate: 5.21 GPM @ 60 psi
- Water Consumption: @ 10 sec = .89 gal  
@ 15 sec = 1.3 gal



### Optional Outlets (Series 2 / VR Series 7)

GPM	Aerated	Non-Aerated (Laminar)	VR Aerated	VR Non-Aerated (VR Laminar)
0.35	N/A	<input type="checkbox"/> B-0199-02-N035	N/A	<input type="checkbox"/> B-0199-07-N035
0.5	N/A	<input type="checkbox"/> B-0199-02-N05	N/A	<input type="checkbox"/> B-0199-07-N05
1.0	<input type="checkbox"/> B-0199-02-F10	N/A	<input type="checkbox"/> B-0199-07-F10	N/A
1.5	<input type="checkbox"/> B-0199-02-WS	N/A	<input type="checkbox"/> B-0199-07-WS	N/A
2.2	<input type="checkbox"/> B-0199-02	N/A	<input type="checkbox"/> B-0199-07	N/A

### Optional Cartridges

- Push Button Metering (Standard)
- Pivot Action Metering
- Wrist Action Metering



T&S BRASS AND BRONZE WORKS, INC.



• 2 Saddleback Cove • Travelers Rest, SC 29690  
 Ph 800-476-4103 • Fax 864-834-3518  
 • Simi Valley, CA • Ph 800-423-0150 • www.tsbrass.com

Date: 02/16/15