



# T&S BRASS AND BRONZE WORKS, INC.

2 Saddleback Cove / P.O. Box 1088  
Travelers Rest, SC 29690



REG. #A2601  
ISO #9001

Model No.  
**B-2821**

Item No.

Travelers Rest, SC: 800-476-4103 Simi Valley, CA: 800-423-0150 Fax: 864-834-3518 www.tsbrass.com

This Space for Architect/Engineer Approval

Job Name \_\_\_\_\_ Date \_\_\_\_\_

Model Specified \_\_\_\_\_ Quantity \_\_\_\_\_

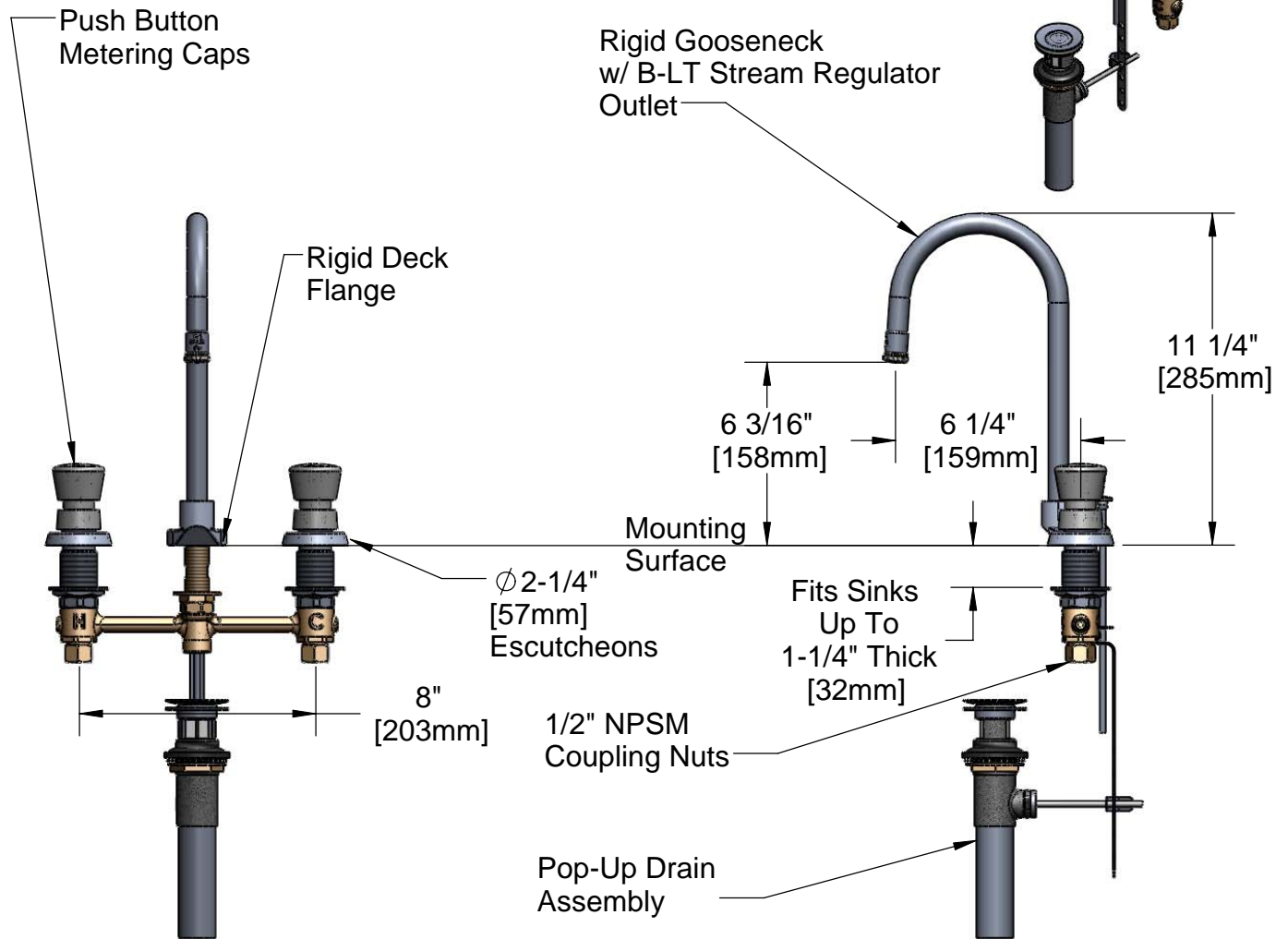
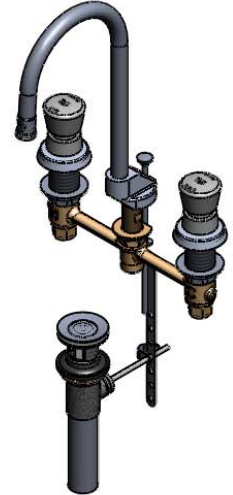
Customer/Wholesaler \_\_\_\_\_

Contractor \_\_\_\_\_

Architect/Engineer \_\_\_\_\_



**ADA Compliant**



Note: Rough-In Required:  
 Ø 1" [25mm] for Center Shank  
 Ø 1-1/2" [38mm] for Hot/Cold Side [1-1/4" [32mm] Minimum]

Product Specifications:  
**EasyInstall Faucet w/Metering Cartridges, Pop-Up Drain, Push Button Handles, 8" Inlet Centers, Rigid Gooseneck w/ Stream Regulator Outlet**

Drawn <b>JRM</b>	Checked <b>GEF</b>	Approved <b>JHB</b>
Scale: <b>NTS</b>		Date: <b>12/08/08</b>



**T&S BRASS AND BRONZE WORKS, INC.**

2 Saddleback Cove / P.O. Box 1088  
Travelers Rest, SC 29690



REG. #A2601  
ISO #9001

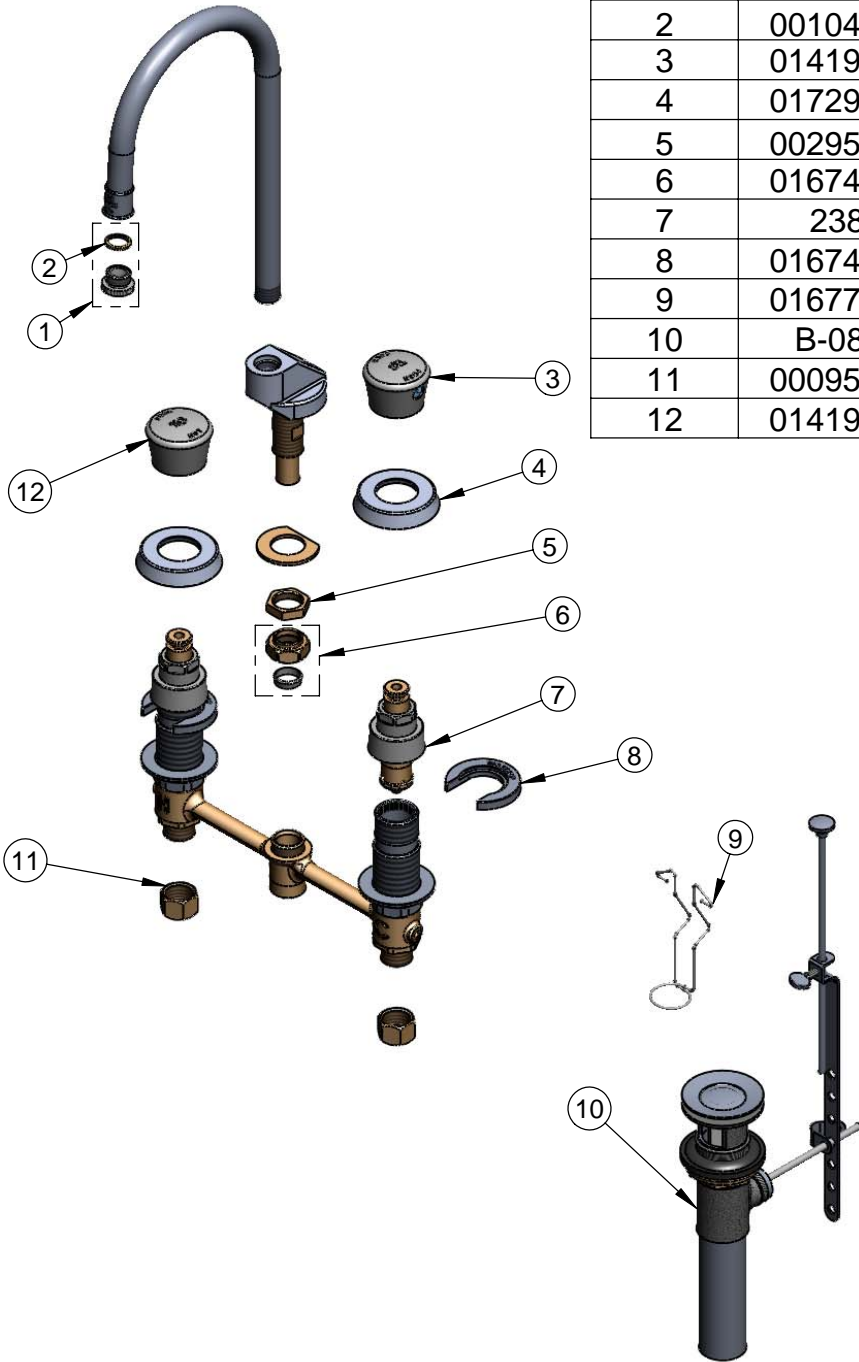
Model No.

**B-2821**

Item No.

Travelers Rest, SC: 800-476-4103 Simi Valley, CA: 800-423-0150 Fax: 864-834-3518 www.tsbrass.com

ITEM NO.	SALES NO.	DESCRIPTION
1	B-LT	Stream Regulator Outlet
2	001043-45	Washer
3	014195-40	Cold Cap Assembly
4	017292-45	Metering CWS Escutcheon
5	002954-45	Shank Lock Nut
6	016745-45	Compression Nut & Fitting
7	238A	Push Button Metering Cartridge
8	016749-45	Sidebody C-Washer
9	016777-45	CWS Hanger
10	B-0898	Pop-Up Drain
11	000958-20	Coupling Nut
12	014194-40	Hot Cap Assembly



Product Specifications:

EasyInstall Faucet w/Metering Cartridges, Pop-Up Drain,  
Push Button Handles, 8" Inlet Centers,  
Rigid Gooseneck w/ Stream Regulator Outlet

Drawn

**JRM**

Checked

**GEF**

Approved

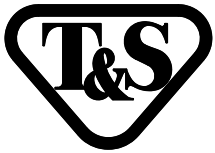
**JHB**

Scale:

**NTS**

Date:

**12/08/08**



# T&S BRASS AND BRONZE WORKS, INC.

2 Saddleback Cove / P.O. Box 1088  
Travelers Rest, SC 29690

Model No.

**B-2820**

Item No.

Travelers Rest, SC: 800-476-4103 • Simi Valley, CA: 800-423-0150 • Fax: 864-834-3518 • www.tsbrass.com

This Space for Architect/Engineer Approval

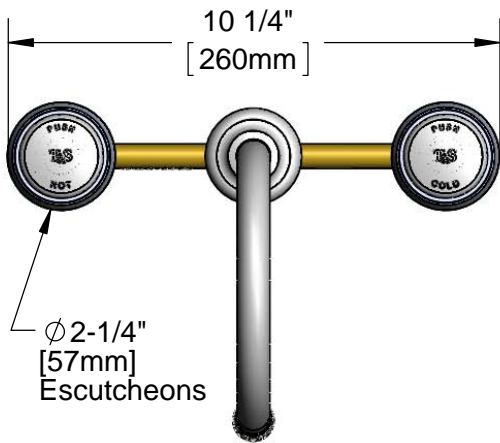
Job Name \_\_\_\_\_ Date \_\_\_\_\_

Model Specified \_\_\_\_\_ Quantity \_\_\_\_\_

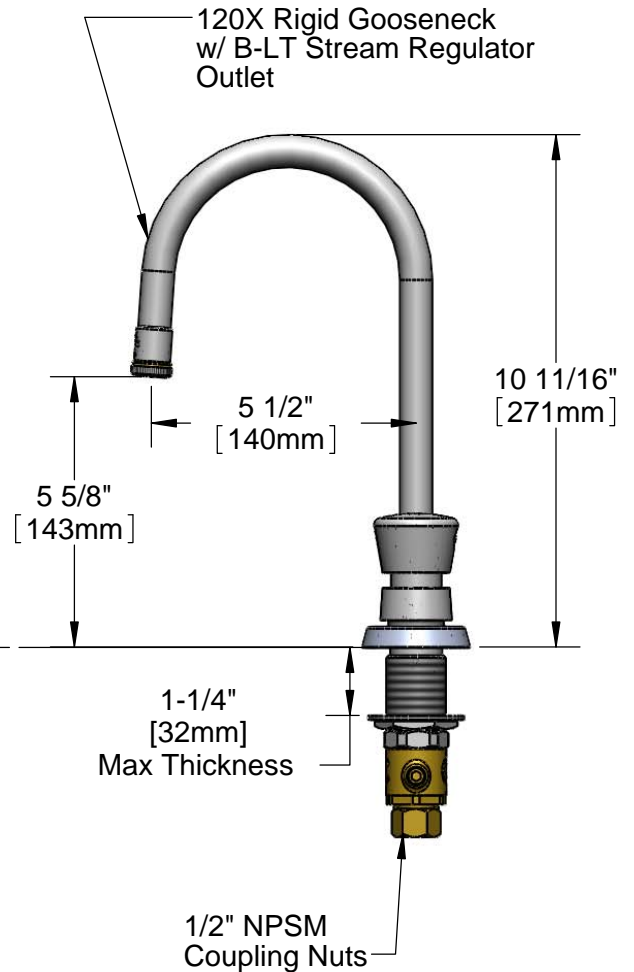
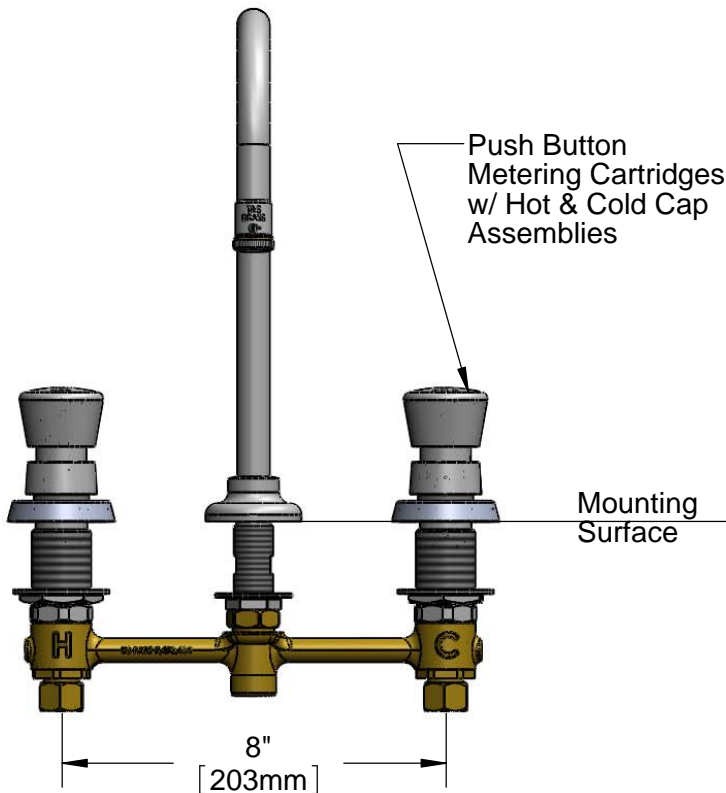
Customer/Wholesaler \_\_\_\_\_

Contractor \_\_\_\_\_

Architect/Engineer \_\_\_\_\_



**ADA Compliant**



**Rough-In Requirement:**  
 $\phi$  1" [25mm] for Center Shank  
 $\phi$  1-1/2" [38mm] for Hot/Cold Side

**Product Specifications:**  
 EasyInstall Faucet w/ Push Button Handles, Metering Cartridges,  
 8" Inlet Centers, & 120X Rigid Gooseneck w/ Stream Regulator Outlet

Drawn  
**JRM**

Checked  
**DMH**

Approved  
**JHB**

Scale:  
**1:4**

Date:  
**06/21/12**



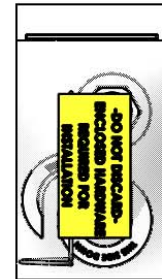
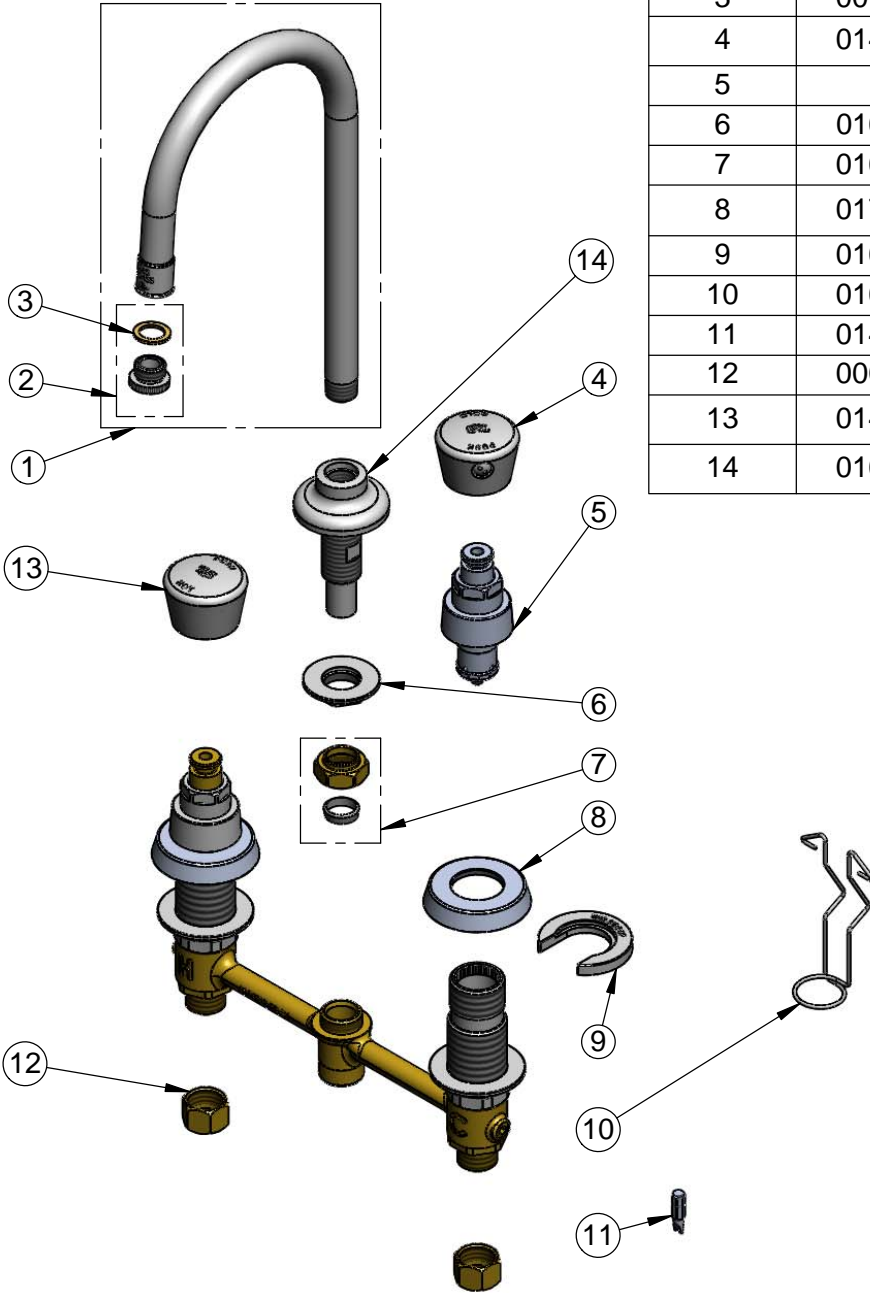
**T&S BRASS AND BRONZE WORKS, INC.**  
 2 Saddleback Cove / P.O. Box 1088  
 Travelers Rest, SC 29690

Model No.  
**B-2820**

Item No.

Travelers Rest, SC: 800-476-4103 • Simi Valley, CA: 800-423-0150 • Fax: 864-834-3518 • www.tsbrass.com

ITEM NO.	SALES NO.	DESCRIPTION
1	120X	Rigid Gooseneck w/ Stream Regulator Outlet
2	B-LT	Stream Regulator Outlet
3	001043-45	Washer
4	014195-40	Cold Cap Assembly
5	238A	Push Button Metering Cartridge
6	016742-45	Center Flange Nut
7	016745-45	Compression Nut & Fitting
8	017292-45	Metering CWS Escutcheon
9	016749-45	Sidebody C-Washer
10	016777-45	CWS Hanger
11	014734-45	#8 Spanner Bit
12	000958-20	Coupling Nut
13	014194-40	Hot Cap Assembly
14	016847-40	EasyInstall CWS Rigid Center Shank



017245-40  
 Installation Repair Kit  
 Includes #6, (2)#9, & #10

Product Specifications:  
 EasyInstall Faucet w/ Push Button Handles, Metering Cartridges,  
 8" Inlet Centers, & 120X Rigid Gooseneck w/ Stream Regulator Outlet

Drawn <b>JRM</b>	Checked <b>DMH</b>	Approved <b>JHB</b>
---------------------	-----------------------	------------------------

Scale: <b>NTS</b>	Date: <b>06/21/12</b>
----------------------	--------------------------