



T&S BRASS AND BRONZE WORKS, INC.

2 Saddleback Cove / P.O. Box 1088
Travelers Rest, SC 29690

Model No.

B-2820

Item No.

Travelers Rest, SC: 800-476-4103 • Simi Valley, CA: 800-423-0150 • Fax: 864-834-3518 • www.tsbrass.com

This Space for Architect/Engineer Approval

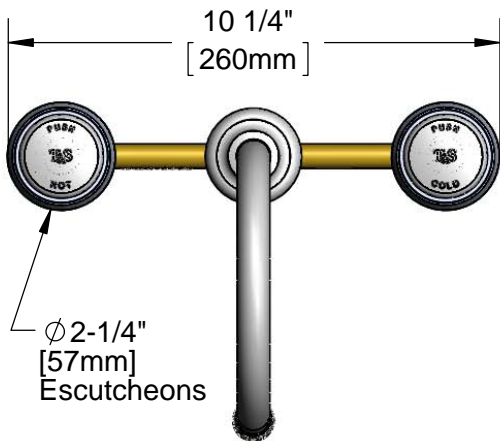
Job Name _____ Date _____

Model Specified _____ Quantity _____

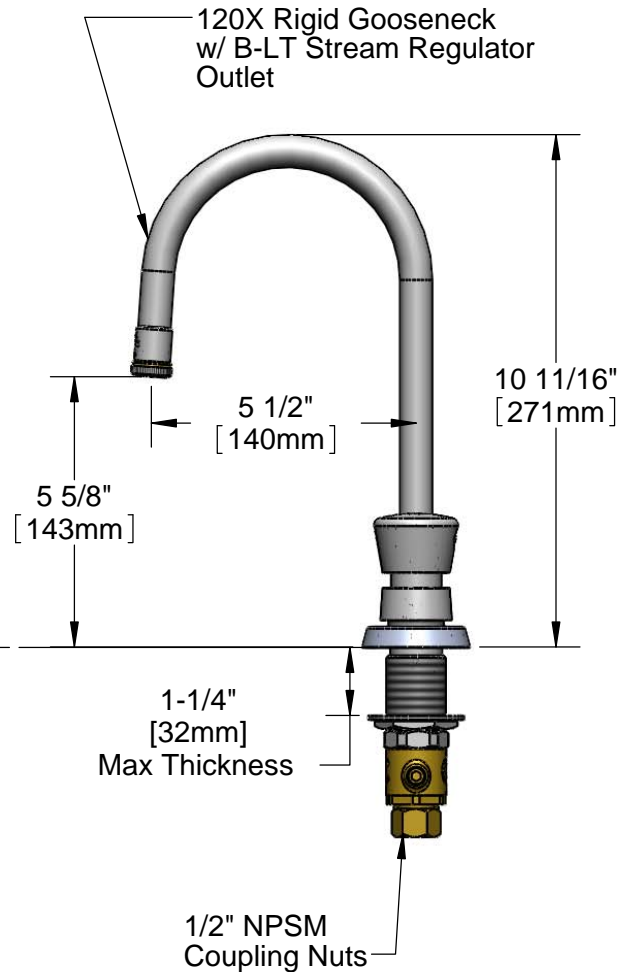
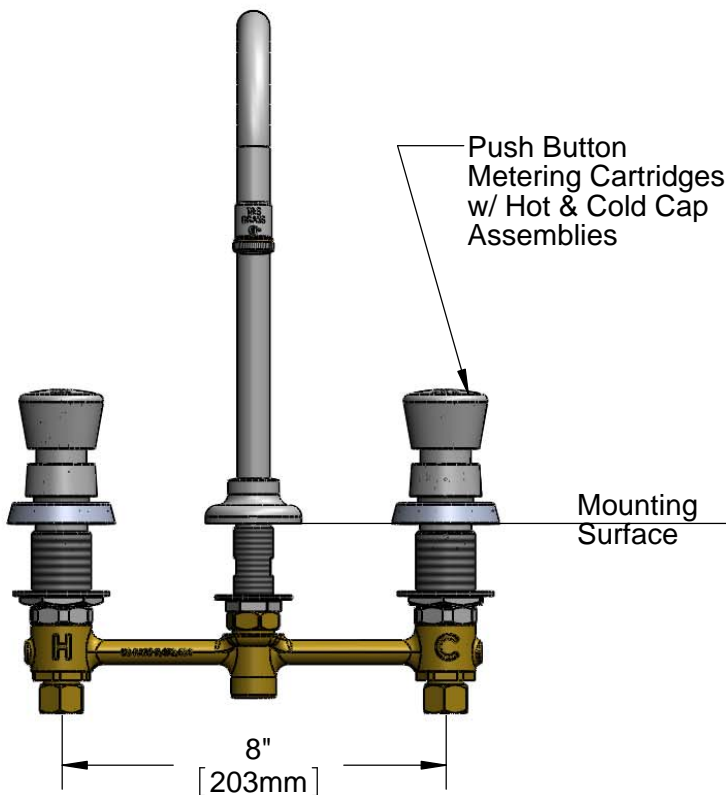
Customer/Wholesaler _____

Contractor _____

Architect/Engineer _____



ADA Compliant



Rough-In Requirement:
 Ø 1" [25mm] for Center Shank
 Ø 1-1/2" [38mm] for Hot/Cold Side

Product Specifications:
 EasyInstall Faucet w/ Push Button Handles, Metering Cartridges,
 8" Inlet Centers, & 120X Rigid Gooseneck w/ Stream Regulator Outlet

Drawn
JRM

Checked
DMH

Approved
JHB

Scale:
1:4

Date:
06/21/12



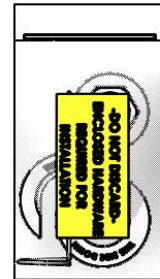
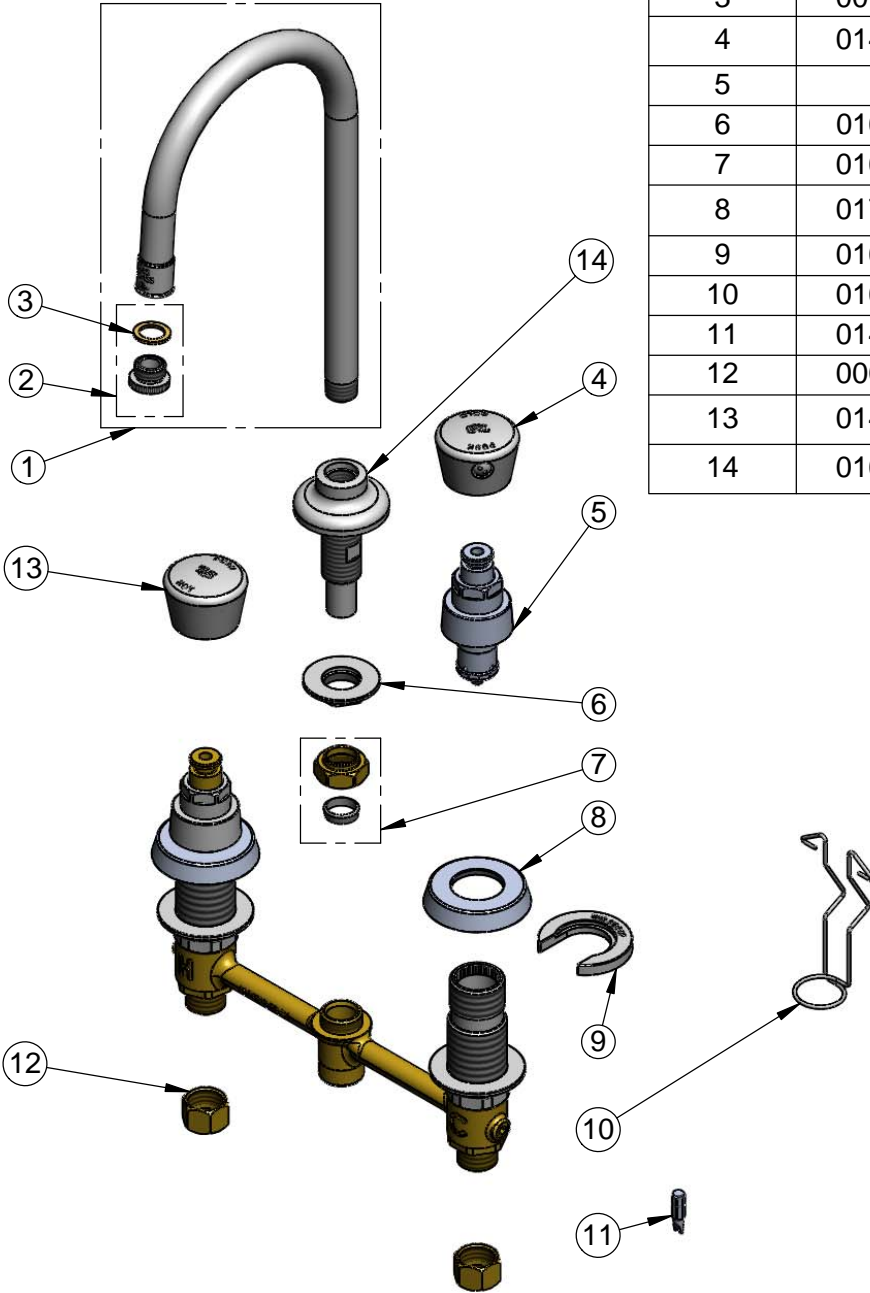
T&S BRASS AND BRONZE WORKS, INC.
 2 Saddleback Cove / P.O. Box 1088
 Travelers Rest, SC 29690

Model No.
B-2820

Item No.

Travelers Rest, SC: 800-476-4103 • Simi Valley, CA: 800-423-0150 • Fax: 864-834-3518 • www.tsbrass.com

ITEM NO.	SALES NO.	DESCRIPTION
1	120X	Rigid Gooseneck w/ Stream Regulator Outlet
2	B-LT	Stream Regulator Outlet
3	001043-45	Washer
4	014195-40	Cold Cap Assembly
5	238A	Push Button Metering Cartridge
6	016742-45	Center Flange Nut
7	016745-45	Compression Nut & Fitting
8	017292-45	Metering CWS Escutcheon
9	016749-45	Sidebody C-Washer
10	016777-45	CWS Hanger
11	014734-45	#8 Spanner Bit
12	000958-20	Coupling Nut
13	014194-40	Hot Cap Assembly
14	016847-40	EasyInstall CWS Rigid Center Shank



017245-40
 Installation Repair Kit
 Includes #6, (2)#9, & #10

Product Specifications:
 EasyInstall Faucet w/ Push Button Handles, Metering Cartridges,
 8" Inlet Centers, & 120X Rigid Gooseneck w/ Stream Regulator Outlet

Drawn JRM	Checked DMH	Approved JHB
---------------------	-----------------------	------------------------

Scale: NTS	Date: 06/21/12
----------------------	--------------------------