



T&S BRASS AND BRONZE WORKS, INC.

2 Saddleback Cove / P.O. Box 1088
Travelers Rest, SC 29690

Model No.

B-0836

Item No.

Travelers Rest, SC: 800-476-4103 • Simi Valley, CA: 800-423-0150 • Fax: 864-834-3518 • www.tsbrass.com

This Space for Architect/Engineer Approval

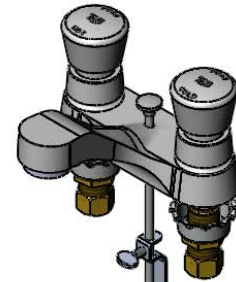
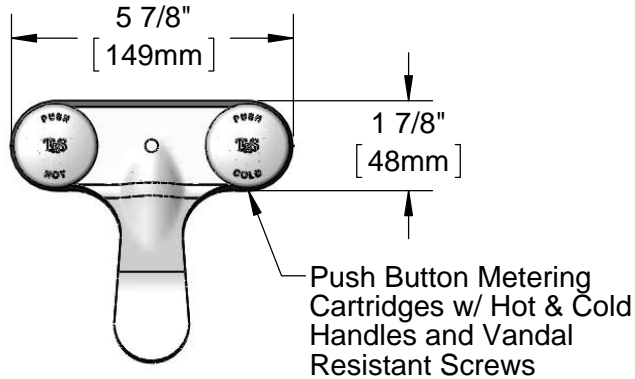
Job Name _____ Date _____

Model Specified _____ Quantity _____

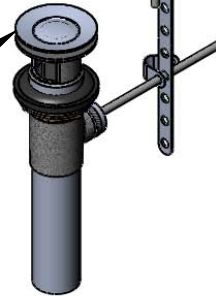
Customer/Wholesaler _____

Contractor _____

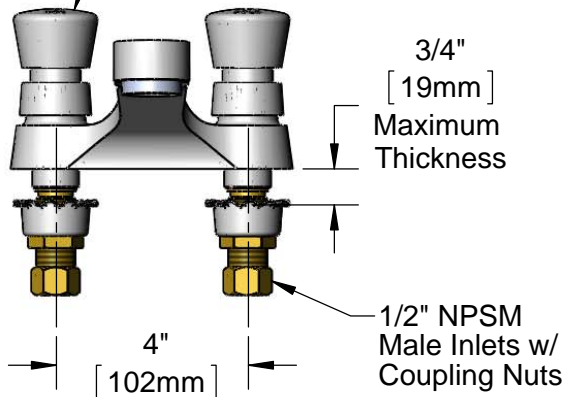
Architect/Engineer _____



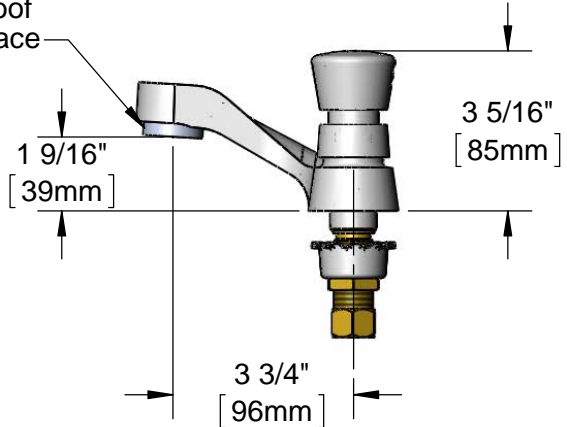
Furnished w/ Pop-Up Drain



Vandal Resistant Screw. Loosen Screw (Do Not Remove) and Pull Off Push Button Assembly to Access Metering Adjustment. (Metering Adjustment Requires 3/32" Hex Key)



Drip Proof Spray Face



Rough-In Requirement:
(2) \varnothing 1 1/8" [30mm] Mounting Holes

Product Specifications:
4" Centerset Deck Mount Faucet, Push Button Metering Cartridges, Drip Proof Spray Face, Pop-Up Drain & 1/2" NPSM Male Inlets w/ Coupling Nuts

Product Compliance:
ASME A112.18.1 / CSA B125.1
NSF 61 - Section 9
NSF 372 (Low Lead Content)
ANSI A117.1 (ADA)

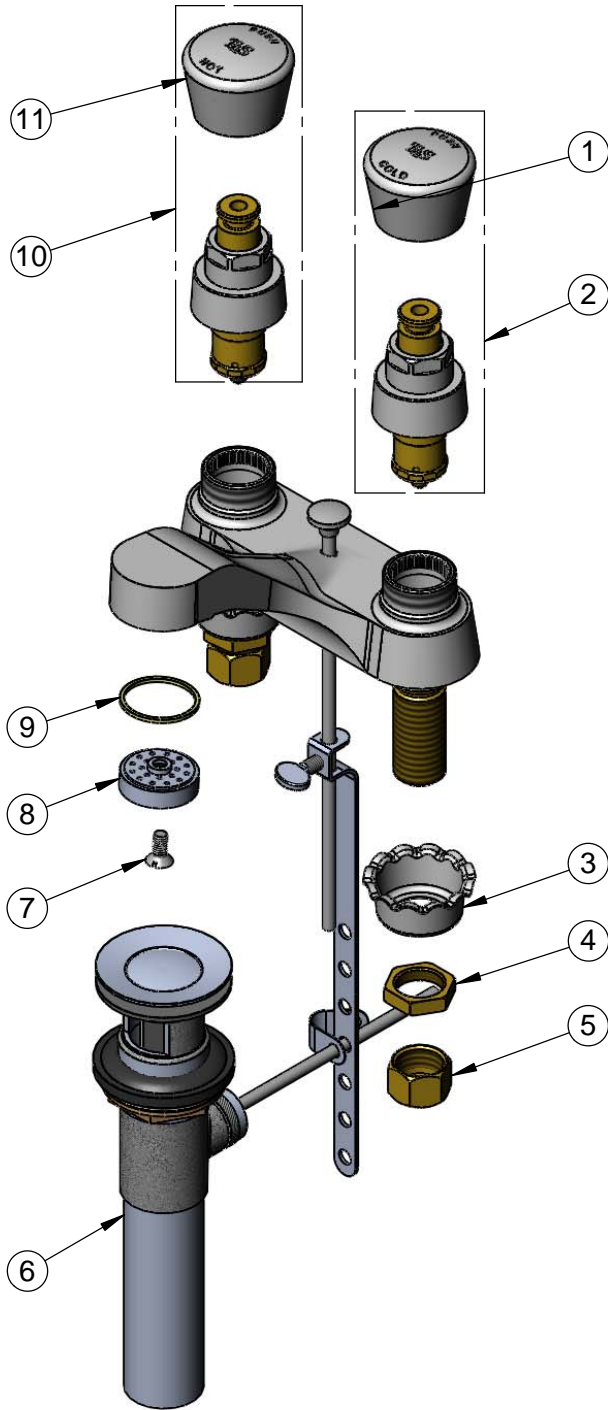


T&S BRASS AND BRONZE WORKS, INC.
 2 Saddleback Cove / P.O. Box 1088
 Travelers Rest, SC 29690

Model No.
B-0836
 Item No.

Travelers Rest, SC: 800-476-4103 • Simi Valley, CA: 800-423-0150 • Fax: 864-834-3518 • www.tsbrass.com

ITEM NO.	SALES NO.	DESCRIPTION
1	014195-40	Cold Push Button Cap w/ Spanner Bit
2	238AC	Metering Cartridge w/ Cold Push Button Cap & Spanner Bit
3	001000-45	Rosette Washer
4	002954-45	Shank Lock Nut
5	000958-20	Coupling Nut
6	B-0898	Pop-Up Drain
7	000921-45	Flat Head Screw
8	010574-25	Drip Proof Spray Face
9	001018-45	Santoprene Washer
10	238AH	Metering Cartridge w/ Hot Push Button Cap & Spanner Bit
11	014194-40	Hot Push Button Cap w/ Spanner Bit



Product Specifications:
 4" Centerset Deck Mount Faucet, Push Button Metering Cartridges, Drip Proof Spray Face, Pop-Up Drain & 1/2" NPSM Male Inlets w/ Coupling Nuts

Product Compliance:
 ASME A112.18.1 / CSA B125.1
 NSF 61 - Section 9
 NSF 372 (Low Lead Content)
 ANSI A117.1 (ADA)



T&S BRASS AND BRONZE WORKS, INC.
 2 Saddleback Cove / P.O. Box 1088
 Travelers Rest, SC 29690

Model No.
B-0837

Item No.

Travelers Rest, SC: 800-476-4103 • Simi Valley, CA: 800-423-0150 • Fax: 864-834-3518 • www.tsbrass.com



ADA Compliant

This Space for Architect/Engineer Approval

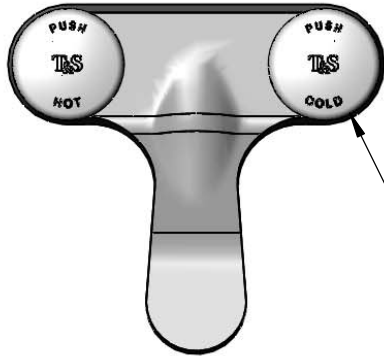
Job Name _____ Date _____

Model Specified _____ Quantity _____

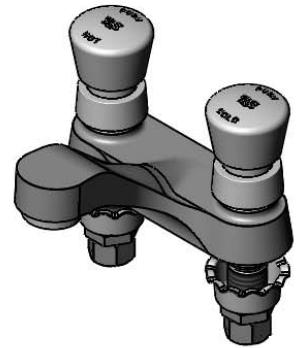
Customer/Wholesaler _____

Contractor _____

Architect/Engineer _____

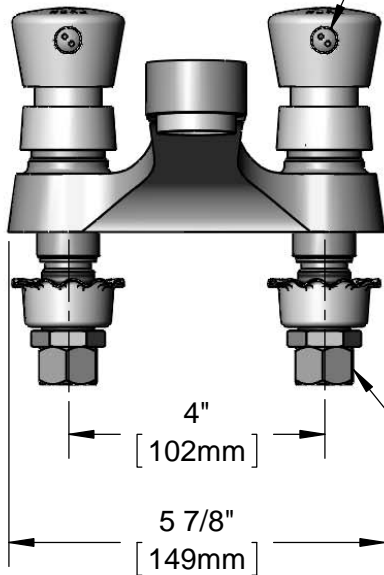


Push Button Metering Cartridges
 w/ Hot & Cold Handles &
 Vandal Resistant Screws



Vandal Resistant Screw.
 Loosen Screw (Do Not Remove)
 and Pull Off Push Button Asm to
 Access Metering Adjustment.
 (Metering Adjustment
 Requires 3/32" Hex Key)

Drip Proof
 Spray Face



Mounting
 Surface

1 9/16"
 [39mm]

3 3/4"
 [96mm]

3 1/2"
 [89mm]

3/4"
 [19mm]
 Maximum
 Thickness

1/2" NPSM
 Male Inlets w/
 Coupling Nuts

4"
 [102mm]

5 7/8"
 [149mm]

1 7/8"
 [48mm]

Rough-In Requirement:
 (2) Ø 1 1/8" [30mm] Mounting Holes

Product Specifications:
 4" Centerset Deck Mount Faucet, Push Button Metering Cartridges,
 Drip Proof Spray Face & 1/2" NPSM Male Inlets w/ Coupling Nuts

Product Compliance:
 ASME A112.18.1 / CSA B125.1
 NSF 61 - Section 9
 NSF 372 (Low Lead Content)
 ANSI A117.1 (ADA)



T&S BRASS AND BRONZE WORKS, INC.

2 Saddleback Cove / P.O. Box 1088
Travelers Rest, SC 29690

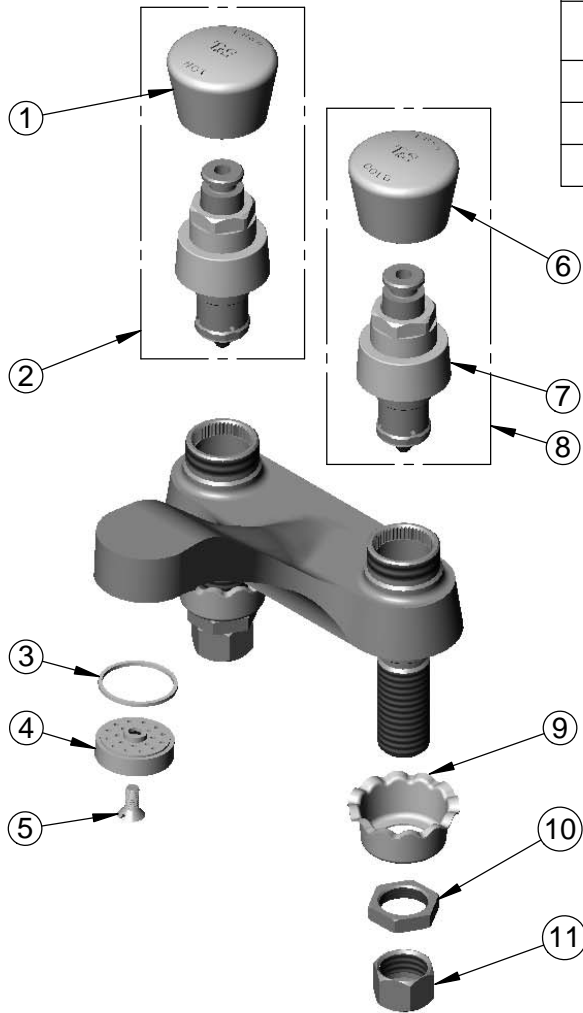
Model No.

B-0837

Item No.

Travelers Rest, SC: 800-476-4103 • Simi Valley, CA: 800-423-0150 • Fax: 864-834-3518 • www.tsbrass.com

ITEM NO.	SALES NO.	DESCRIPTION
1	014194-40	Hot Push Button Cap w/ Spanner Bit
2	238AH	Metering Cartridge w/ Hot Push Button Cap & Spanner Bit
3	001018-45	Santoprene Washer
4	010574-25	Drip Proof Spray Face
5	000921-45	Flat Head Screw
6	014195-40	Cold Push Button Cap w/ Spanner Bit
7	238A	Push Button Metering Cartridge
8	238AC	Metering Cartridge w/ Cold Push Button Cap & Spanner Bit
9	001000-45	Rosette Washer
10	002954-45	Shank Lock Nut
11	000958-20	Coupling Nut



Product Specifications:
4" Centerset Deck Mount Faucet, Push Button Metering Cartridges,
Drip Proof Spray Face & 1/2" NPSM Male Inlets w/ Coupling Nuts

Product Compliance:
ASME A112.18.1 / CSA B125.1
NSF 61 - Section 9
NSF 372 (Low Lead Content)
ANSI A117.1 (ADA)