



#### Limited One Year Warranty

T&S warrants to the original purchaser (other than for purposes of resale) that such product is free from defects in material and workmanship for a period of one (1) year from the date of purchase. During this one-year warranty period, if the product is found to be defective, T&S shall, at its options, repair and/or replace it. To obtain warranty service, products must be returned to...

T&S Brass and Bronze Works, Inc.  
Attn: Warranty Repair Department  
2 Saddleback Cove  
Travelers Rest, SC 29690

Shipping, freight, insurance, and other transportation charges of the product to T&S and the return of repaired or replaced product to the purchaser are the responsibility of the purchaser. Repair and/or replacement shall be made within a reasonable time after receipt by T&S of the returned product. This warranty does not cover items which have received secondary finishing or have been altered or modified after purchase, or for defects caused by physical abuse to or misuse of the product, or shipment of the products.

Any express warranty not provided herein, and any remedy for Breach of Contract which might arise, is hereby excluded and disclaimed. Any implied warranties of merchantability or fitness for a particular purpose are limited to one year in duration. Under no circumstances shall T&S be liable for loss of use or any special consequential costs, expenses or damages.

Some states do not allow limitations on how long and implied warranty lasts or the exclusion or limitation of incidental or consequential damages, so the above limitations or exclusions may not apply to you. Specific rights under this warranty and other rights vary from state to state.

P/N: 098-006106-45 Rev.2  
Date: 980724  
Drawn: CW  
Checked: MAB 9-8-98  
Approved: MW 9-3-98

# Installation and Maintenance Instructions



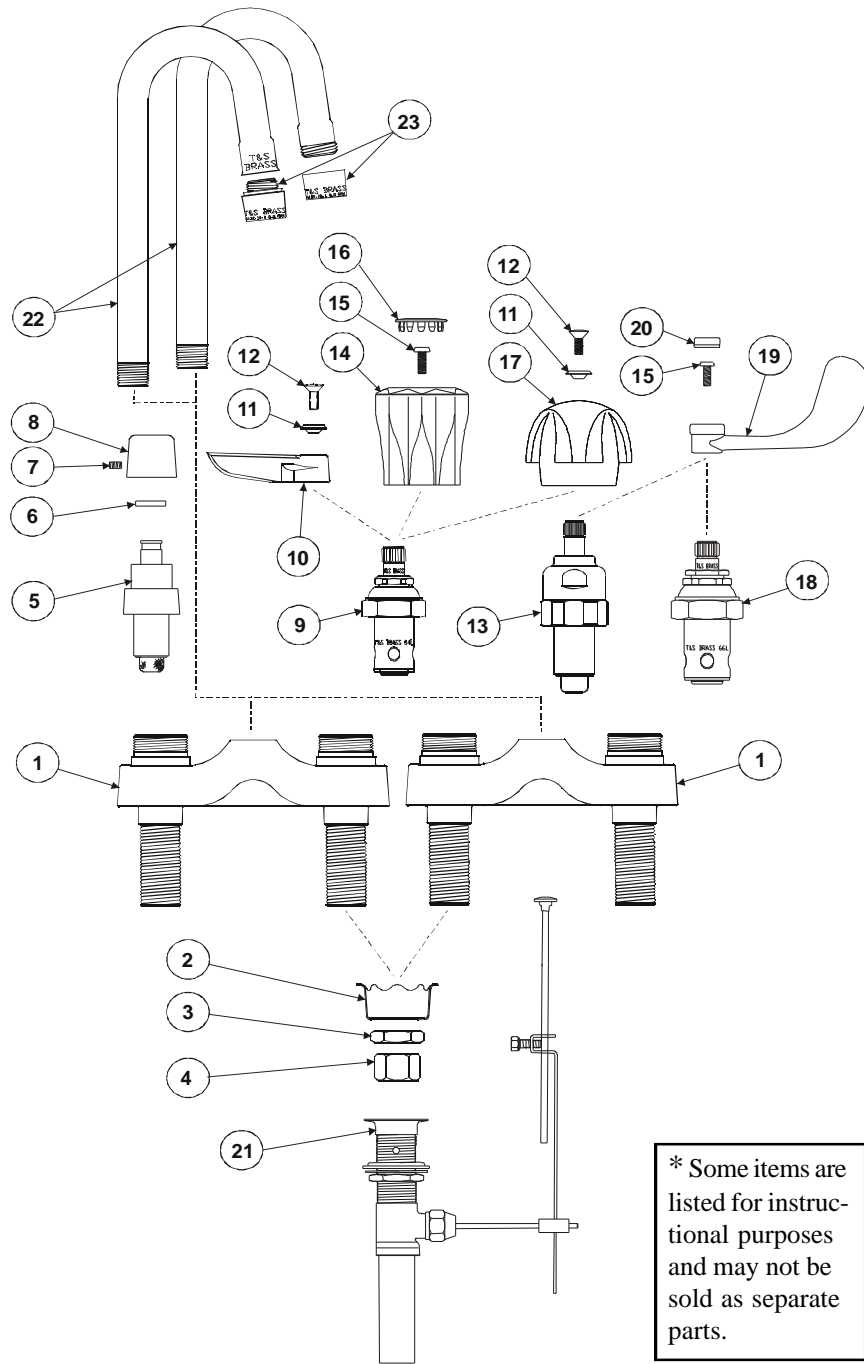
B-0873, B-0874, B-1873,  
B-1874 and B-2973  
CENTERSET LAVATORY  
FAUCETS (with or with-  
out Pop-Up)

**Deutsch: Installations- und  
Wartungsanleitungen**

**Español: la Instalación y las  
Instrucciones de  
Mantenimiento**

**Français: les Instructions  
d'Installation et  
d'Entretien**

# Exploded View



## Part Number Guide

### ***Base Faucet Assemblies***

1	Body Faucet for Pop-up B-0873	*
	Body Faucet w/o Pop-up B-0874	*
2	Washer, Rosette	001000-45
3	Locknut	002954-45
4	Nut, Nipple Coupling	000958-20
5	Asm, Metering Valve - Hot	002879-40
	Asm, Metering Valve - Cold	002880-40
6	Insulator, Cap	000535-20
7	Set Screw	000938-45
8	Cap - Cold	000628-40
	Cap - Hot	000627-40
9	Asm, Eterna Spindle - LH	005959-40
	Asm, Eterna Spindle - RH	005960-40
10	Handle, Lever - Cold	001636-45
	Handle, Lever - Hot	001637-45
11	Index Button, Blue - Cold	001660-45
	Index Button, Red - Hot	001661-45
12	Screw, Lever Handle	000922-45
13	Asm, Meter Valve - Hot	002879-40
	Asm, Meter Valve - Cold	002880-40
14	Handle, Alpine Lexan	001144-45
15	Screw, Lever Handle	000925-45
16	Index, Button - Blue, Cold	001327-40
	Index, Button - Red, Hot	001328-40
17	Handle, Lavatory - 3 Wing - Cold	001784-40
	Handle, Lavatory - 3 Wing - Hot	001783-40
18	Asm, Eterna Spindle - Cold	006009-40
	Asm, Eterna Spindle - Hot	006010-40
19	Handle, Wrist Action 4" Cold	B-WH4C
	Handle, Wrist Action 4" Hot	B-WH4H
20	Index, Snapin - Red, Hot	*
	Index, Snapin - Blue, Cold	*
21	Asm, Drain Pop-up	B-0898

### ***Nozzle Assemblies***

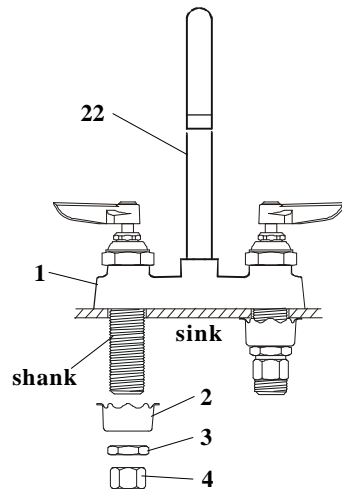
22	Nozzle, Gooseneck BL-5570-01	005028-40
	Nozzle, Gooseneck B-0892	000393-40
23	Aerator 3/8-18 Male Thread	B-0199-02
	Aerator 5/64-27 Female Thread	B-0199-01

# General Instructions

## Nozzle Installation: B-0873

*Note: Nozzle should be installed first.*

1. Apply teflon tape or pipe joint compound to threaded end of no. 22. Screw no. 22 into no. 1, rotate no. 22 to face front of sink.

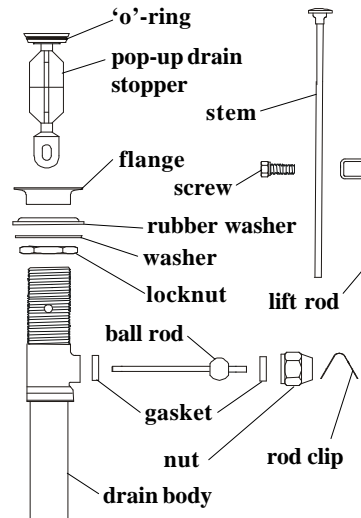


## Faucet Installation: B-0873

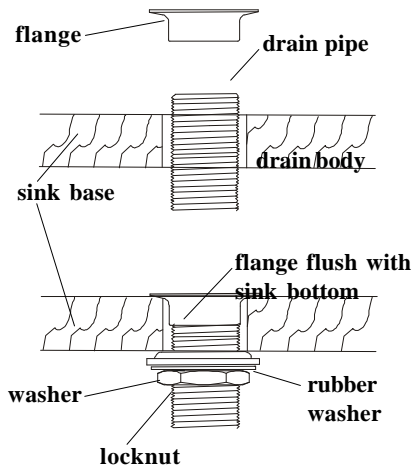
2. Shut off water supply and drain lines. Drill (2) two holes into sink or countertop.
3. Remove no. 4, 3, and 2 from no. 1 shank, then install no. 1 thru holes in sink, replace no. 2, 3, and 4. Tighten no. 3 with a wrench.
4. Connect water supply lines and check for leaks.

## Installation: (Pop-Up Valve)

1. Remove **pop-up drain stopper**, with **'o'-ring** and **flange** from **pop-up assembly**.
2. Remove **rod clip**, **lift rod**, **rod guide nut**, **rubber washer** and **rod ball assembly** from **drain body**.



3. Insert **drain body** from bottom of sink drain hole, reassemble **flange** to **drain body**, tightening as far possible.



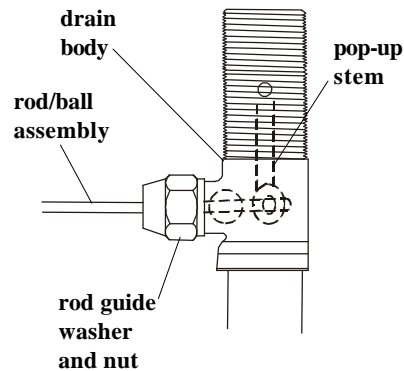
4. Slide **rubber washer** on **drain pipe** up against bottom of sink. Tighten **washer** and **locknut** firmly against base for a tight seal.

# General Instructions

5. Replace **pop-up drain stopper** in **drain body**, with 'o'-ring in place, and align stopper hole with guide and opening.

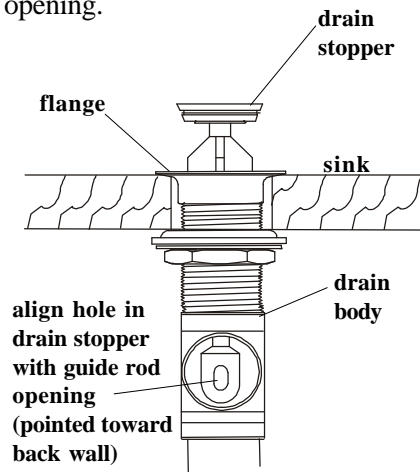
6. Reinsert **rod ball assembly** back into **drain body** and through hole in **drain stopper**.

7. Insert **pop-up stem** through hole in faucet body. Attach **lift rod** to **pop-up stem** by inserting **stem** through hole in **lift rod**. Reassemble **rod guide**, **washer** and **nut**, and tighten firmly.

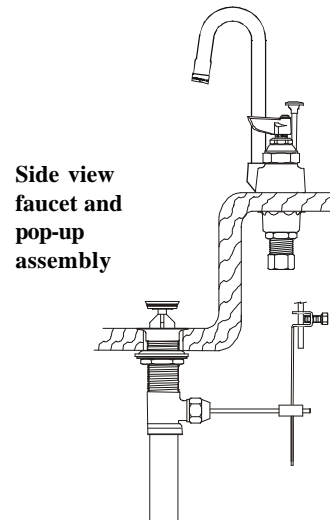


9. Make connection to supply lines.

10. Turn on water supply and check for leaks.



8. Adjust **pop-up stem** to correct height by opening drain, and sliding **lift rod** and **rod clip** at the same time onto **rod/ball assembly**. Readjust **lift rod screw** if necessary, hand-tighten.

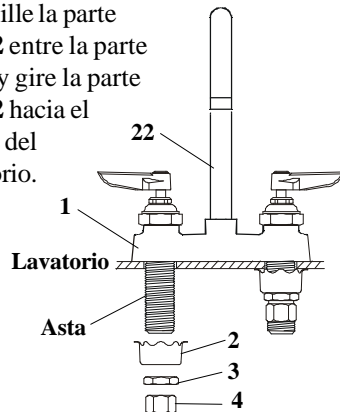


# Instrucciones Generales

## Instalación de la Boquilla: B-0873

*Nota: La boquilla debe de ser instalada primero.*

1. Aplique cinta de Teflon ó compuesto de coyuntura de tubería al extremo con rosca de la parte No.22. Atornille la parte No.22 entre la parte No.1 y gire la parte No.22 hacia el frente del lavatorio.

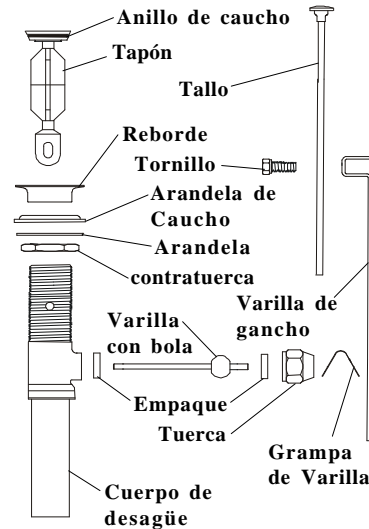


## Instalación de la Canilla: B-0873

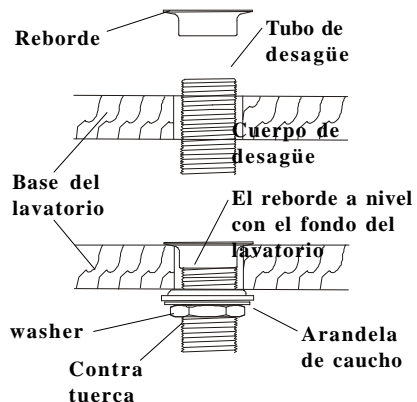
2. Cierra el surtido de agua y desagüe las tuberías. Perfore (2) dos huecos en la lavatorio ó el mostrador.
3. Remuévalas partes No.4, 3 y 2 del asta de la parte No.1, luego instale la parte No.1 a través de los huecos en el lavatorio, coloque de nuevo las partes No.2, 3 y 4. Apriete la parte No.3 con una llave.
4. Conecte las líneas de surtido de agua e inspeccione por filtraciones.

## Instalación: (Valvula De Tapón)

1. Remuévala el tapón con el anillo de caucho y el reborde del ensamble del tapón.
2. Remuévala la grampa de varilla, la varilla de gancho, el guía para la tuerca de varilla, la arandela de caucho y el ensamble de la bola con varilla del cuerpo de desagüe.



3. Por la parte de abajo en el hueco de desagüe del lavatorio inserte el cuerpo de desagüe, ensamble de nuevo el reborde a el tubo del desagüe, y apriete hasta el máximo trayecto.



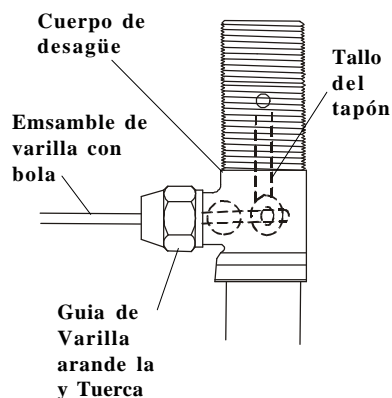
4. Deslice la arandela de caucho en el tubo de desagüe contra la parte de abajo del lavatorio. Apriete la arandela y contratuerca firmemente contra la base para formar un sello apretado.

# Instrucciones Generales

5. Coloque de nuevo el tapón en el cuerpo de desagüe, con el anillo de caucho en su sitio y alinee el hueco del tapón con el guía y la abertura.

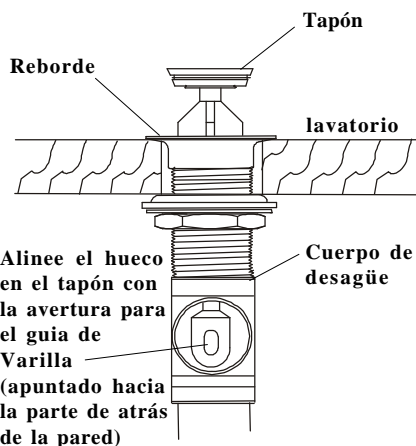
6. Inserte de nuevo el ensamble de la varilla con bola en el cuerpo de desagüe y a través del hueco del tapón.

7. Inserte el tallo del tapón a través del hueco en el cuerpo de la canilla. Una la varilla de gancho a el tallo para el tapón, insartando el tallo a través del hueco en la varilla del gancho; Arme de nuevo el guía de la varilla, la arandela y tuerca y aprete firmemente.



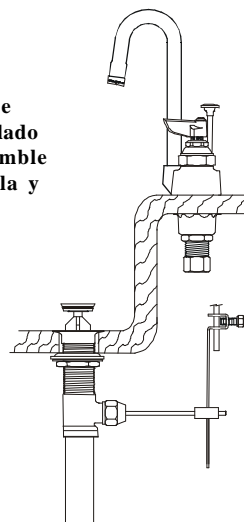
9. Haga las conexiones a la línea de surtido.

10. Abra el surtido de agua e inspeccione por filtraciones.



8. Ajuste el tallo del tapón a la altura correcta, abriendo el desagüe y deslizando la bola. Si es necesario ajuste de nuevo el tornillo de la varilla de gancho, aprete a mano.

Dibujo de vista de lado de ensamble de Canilla y tapón

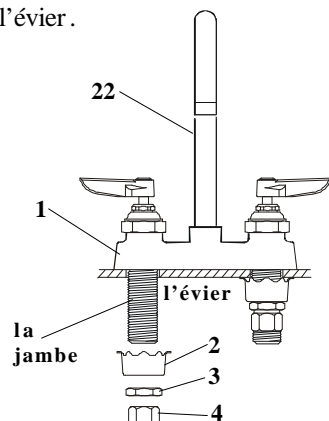


# Instructions Générales

## L'Installation de L'Ajutage:

*Noter : L'ajutage devoir être installer au début.*

1. Appliquer le ruban en Téflon ou le composé pour les tuyaux à l'extrémité avec les filets de N°.22. Visser N°.22 dans N°.1, tourner N°.22 à la face de l'évier.



## L'Installation du Robinet: B-0873

2. Fermer la réserve de l'eau et égoutter la tuyauterie. Percer (2) deux trous dans l'évier ou le comptoir.

3. Enlever N°.4,3 et 2 de la jambe de N°.1, puis installer N°.1 à travers les trous dans l'évier, remplacer N°.2,3 et 4. Resserrer avec une clef anglaise.

4. Brancher les tuyaux qui fournir l'eau et vérifier s'il y a des fuites.

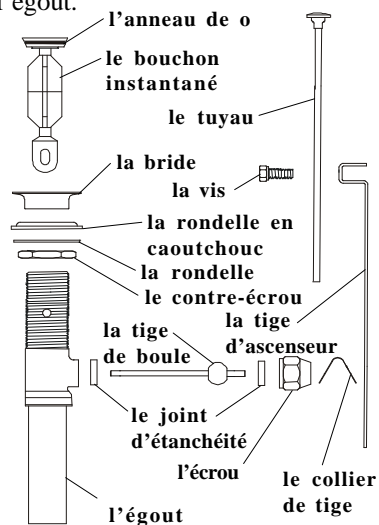
## L'Installation:

### (la soupape instantanée)

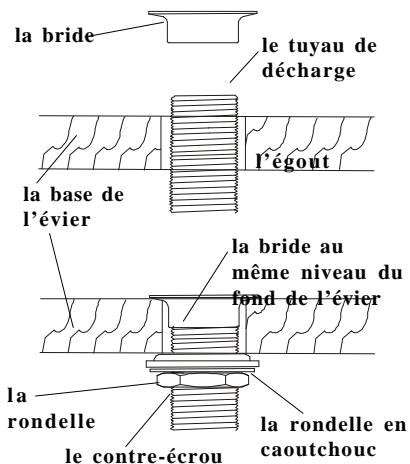
1. Enlever le bouchon instantané, avec l'anneau de o et la bride de l'assemblage instantané.

2. Enlever le collier de tige, la tige d'ascenseur, l'écrou qui dirige la tige,

la rondelle en caoutchouc et l'assemblage de la tige de boule de l'égout.



3. Insérer l'égout du fond du trou de décharge de l'évier, réassembler la bride à l'égout, resserrer fermement.



4. Faire glisser la rondelle en caoutchouc sur le tuyau de décharge contre le fond de l'évier. Resserrer la rondelle et le contre-écrou fermement contre la base.

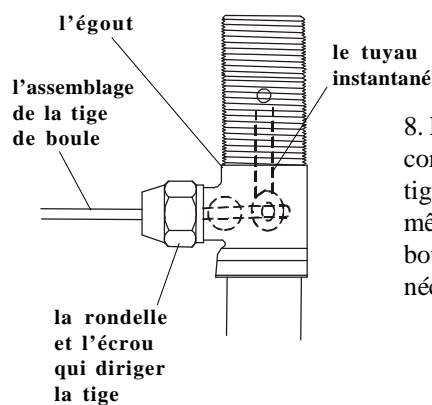


## Instructions Générales

5. Remplacer le bouchon instantané dans l'égout avec l'anneau de "o" à sa place, et aligner le trou du bouchon avec la guide et la percée.

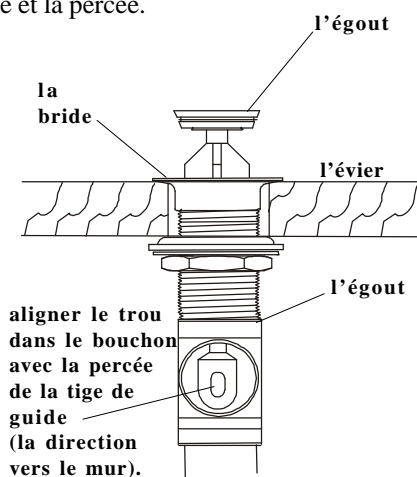
6. Réinsérer l'assemblage de la tige de boule dans l'égout et à travers le trou dans le bouchon.

7. Insérer le tuyau instantané à travers le trou dans l'égout. Attacher la tige d'ascenseur au tuyau instantané en insérant le tuyau à travers le trou dans la tige d'ascenseur. Réassembler la rondelle et l'écrou qui dirigent la tige et resserrer fermement.



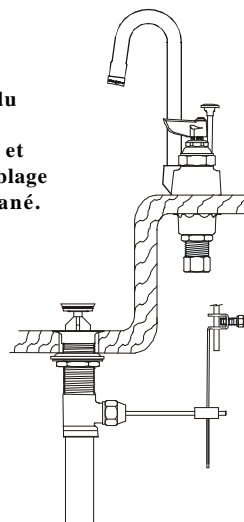
9. Brancher les tuyaux qui fournissent l'eau.

10. Recommencer l'eau et vérifier s'il y a des fuites.



8. Régler le tuyau instantané au hauteur correcte en ouvrant l'égout, et en mettant la tige d'ascenseur et le collier de la tige, au même temps sur l'assemblage de la tige de boule. Régler la vis de la tige d'ascenseur si nécessaire, resserrer par le main.

la vue du côté du robinet et l'assemblage instantané.



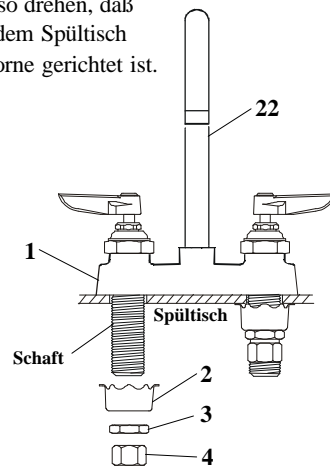
# Allgemeine Anleitungen

## Installation des Schwenkarms:

### B-0873

*Hinweis: Schwenkarme sind als erstes zu installieren.*

1. Für das Anschraubende Nr. 22 Teflonband oder Rohrdichtungsmasse verwenden. Nr. 22 in Nr. 1 einschrauben. Nr. 22 so drehen, daß es auf dem Spültisch nach vorne gerichtet ist.



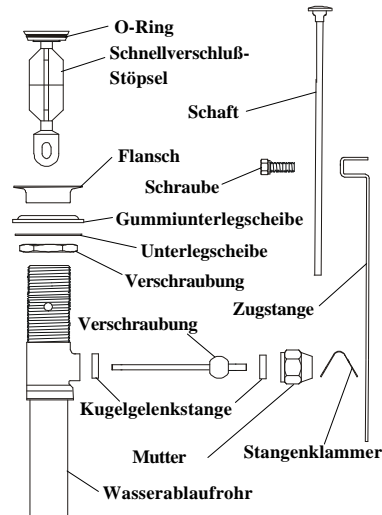
## Installation der Armatur: B-0873

2. Den Wasserzulauf schließen und die Leitungen leeren. Zwei Löcher in den Spültisch bzw. in die Abdeckplatte bohren.
3. Nr. 4, 3 und 2 von Nr. 1 (Schaft) entfernen, dann Nr. 1 durch die Löcher im Spültisch führen und Nr. 2, 3 und 4 wieder anbringen. Nr. 3 mit einem Schraubenschlüssel fest zuziehen.
4. Wasserzulauf andrehen und auf Dichtigkeit überprüfen.

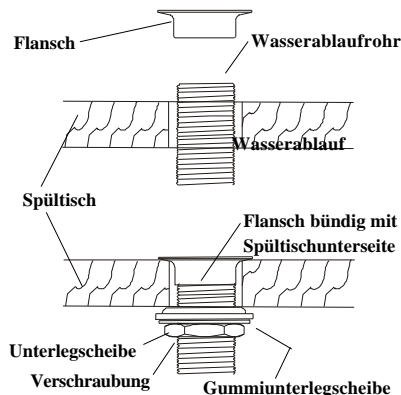
## Installation: (Schnellverschlußventil)

1. Schnellverschluß-Stöpsel mit O-Ring und Flansch von der Schnellverschluß-Garnitur entfernen.
2. Die Stangenklammer, die Zugstange, die Stangeführungsmutter, die

Gummiunterlegscheibe und die Kugelgelenkstangen-garnitur vom Wasserablauf entfernen.



3. Wasserablaufrohr von unten in das Spültischloch einführen, Flansch mit dem Wasserablaufrohr verbinden, so weit wie möglich festdrehen.



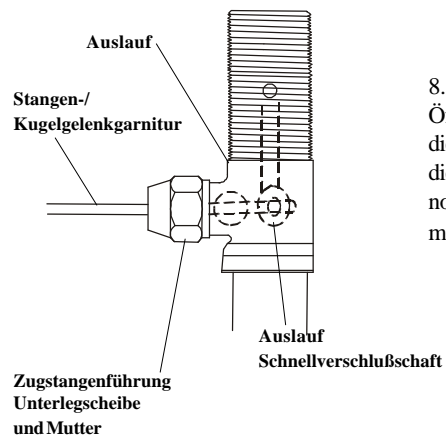
4. Die Gummiunterlegscheibe auf das Wasserablaufrohr gegen die Spültischunterseite schieben. Zur Abdichtung Unterlegscheibe und Verschraubung fest gegen Grundplatte anziehen.

# Allgemeine Anleitungen

5. Den *Schnellverschluß-Stöpsel* mit dem korrekt eingesetzten *O-Ring* wieder in den *Auslauf* einsetzen und das Stöpselloch nach der *Zugstangenführung* und der Öffnung ausrichten.

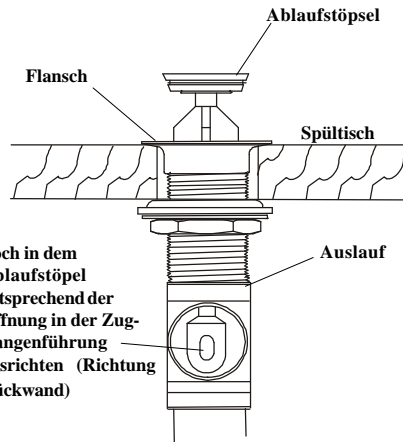
6. Die *Kugelgelenkgarnitur* wieder in den *Auslauf* und in das Loch im *Auslaufstöpsel* einsetzen.

7. Den *Schnellverschlußschaft* durch das Loch im *Armaturumpf* einführen. Die *Zugstange* mit dem *Schnellverschlußschaft* verbinden, indem der *Schaft* durch das Loch in der *Zugstange* eingeführt wird. Die *Zugstangenführung*, *Unterlegscheibe* und *Mutter* zusammensetzen und fest anziehen.



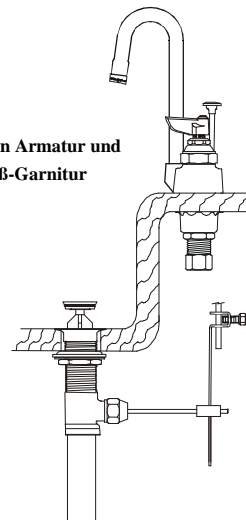
9. Mit den Wasserleitungen verbinden.

10. Wasserleitung aufdrehen und auf Dichtigkeit prüfen.



8. Die Höhe des *Schnellverschlußschafts* durch Öffnen des *Auslaufs* justieren und gleichzeitig die *Zugstange* und *Zugstangenklammer* auf die *Zugstangengarnitur* schieben. Falls notwendig, die *Zugstangenschraube* justieren, mit der Hand festdrehen.

Seitenansicht von Armatur und Schnellverschluß-Garnitur



**RELATED T&S BRASS PRODUCT LINE**



**B-0870  
CENTERSET LAVATORY  
FAUCET  
with POP-UP**

**B-0830  
SLOW SELF-CLOSING  
CENTERSET LAVATORY  
FAUCET with POP-UP**



---

**T&S BRASS AND BRONZE WORKS, INC.**

A firm commitment to application-engineered plumbing products

2 Saddleback Cove, P.O. Box 1088,  
Travelers Rest, SC 29690

Phone: (864) 834-4102

Fax: (864) 834-3518

E-mail: [tsbrass@tsbrass.com](mailto:tsbrass@tsbrass.com)

T & S Brass-Europe

'De Veenhoeve'

Oude Nieuwveenseweg 84

2441 CW Nieuwveen

The Netherlands





#### Limited One Year Warranty

T&S warrants to the original purchaser (other than for purposes of resale) that such product is free from defects in material and workmanship for a period of one (1) year from the date of purchase. During this one-year warranty period, if the product is found to be defective, T&S shall, at its options, repair and/or replace it. To obtain warranty service, products must be returned to...

*T&S Brass and Bronze Works, Inc.  
Attn: Warranty Repair Department  
2 Saddleback Cove  
Travelers Rest, SC 29690*

Shipping, freight, insurance, and other transportation charges of the product to T&S and the return of repaired or replaced product to the purchaser are the responsibility of the purchaser. Repair and/or replacement shall be made within a reasonable time after receipt by T&S of the returned product. This warranty does not cover items which have received secondary finishing or have been altered or modified after purchase, or for defects caused by physical abuse to or misuse of the product, or shipment of the products.

Any express warranty not provided herein, and any remedy for Breach of Contract which might arise, is hereby excluded and disclaimed. Any implied warranties of merchantability or fitness for a particular purpose are limited to one year in duration. Under no circumstances shall T&S be liable for loss of use or any special consequential costs, expenses or damages.

Some states do not allow limitations on how long an implied warranty lasts or the exclusion or limitation of incidental or consequential damages, so the above limitations or exclusions may not apply to you. Specific rights under this warranty and other rights vary from state to state.

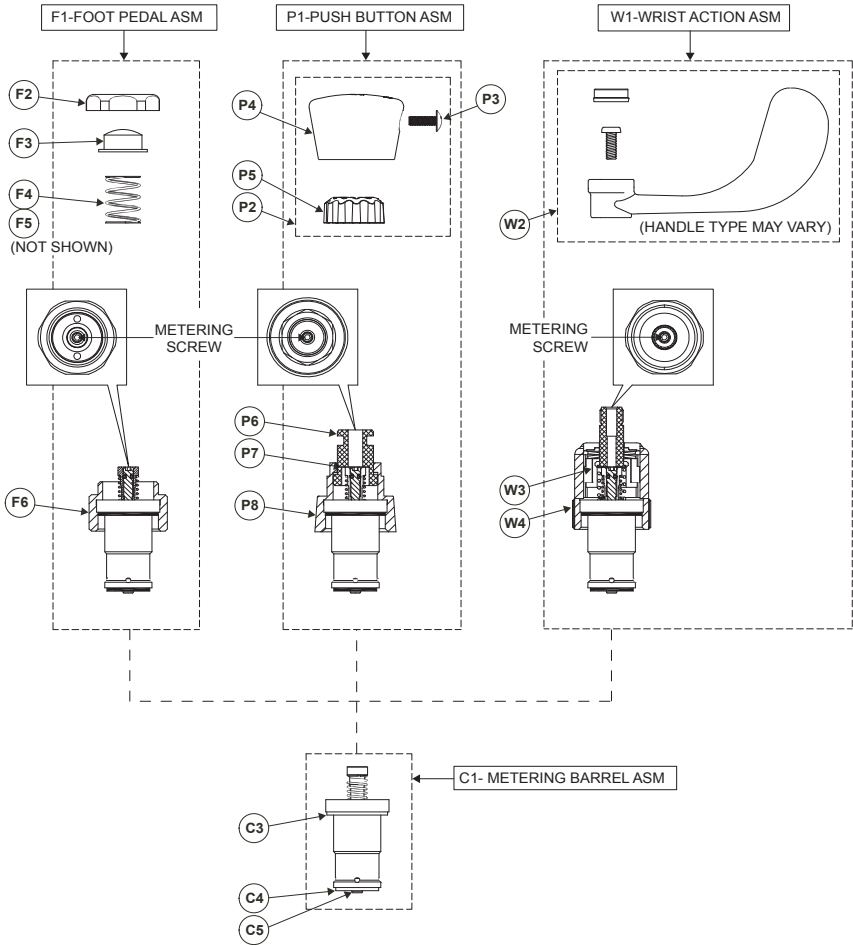
P/N: 098-014733-45 Rev.1  
Date: 05-18-10  
Drawn: TEH  
Checked: GEF 09-13-10  
Approved: JHB 09-13-10

# Installation and Maintenance Instructions



## METERING BARREL ASSEMBLY

# Exploded View



# Part Number Guide

## ***Foot Pedal***

F1	Asm, <b>Floor</b> Mounted Foot Pedal	011399-40
F2	Screw Cap, Foot Pedal	*
F3	Button, Foot Pedal	*
F4	Spring	*
F6	Bonnet, Foot Pedal	*
F1	Asm, <b>Wall</b> Mounted Foot Pedal	011406-40
F2	Screw Cap, Foot Pedal	*
F3	Button, Foot Pedal	*
F4	Spring	*
F5	Spring (011406-40 Asm Not Shown)	*
F6	Bonnet, Foot Pedal	*

## ***Push Button***

P1	Push Button Asm, Blank Valve	238AB
	Screw Cap, Foot Pedal	238AH
	Button, Foot Pedal	238AC
P2	Blank Cap Asm, Push Button	014193-40
	Hot Cap Asm, Push Button	014194-40
	Cold Cap Asm, Push Button	014195-45
P3	Screw Cap, Push Button	014145-45
P4	Blank Cap, Push Button	*
	Hot Cap, Push Button	*
	Cold Cap, Push Button	*
P5	Insulator, Push Button	*
P6	Guide Bushing, Push Button	*
P7	Kapton Washer (Not Shown)	*
P8	Bonnet, Push Button	*

## ***Wrist Action***

W1	Wrist Action Asm	012449-40
W2	Handle Asm (Various Options Available)	*
W3	Repair Kit, Wrist Action	012555-40
	Return Spring	*
	Kapton Washer	*
	Asm, Stem Cam	*
	Linear Cam	*
	Bellville Springs	*
	Stem Bushing	*
W2	Bonnett	*

## ***Metering Barrel Assembly***

C1	Metering Barrel Assembly	014152-40
C2	Seal Repair Kit	014152-40K
C3	Top Seal	*
C4	Bottom Seal	*
C5	Stem Seal	*

\* Items not sold as separate parts; listed for instruction purposes only.

# General Instructions

## Tools Required:

### *Foot Pedal*

- 1 Allen Wrench (3/32")
- 1 1-1/4 Wrench
- 1 1-3/8 Wrench

### *Push Button*

- 1 Allen Wrench (3/32")
- 1 15/16 Wrench
- 1 #8 Spanner Bit/Wrench

### *Wrist Action*

- 1 Allen Wrench (3/32")
- 1 1-3/8 Wrench

## Metering Cartridge:

*Note: Each metering cartridge is preset for approximately 10 seconds at the factory. They may be reset at installation. If water pressure varies, the cycle time will also vary. T&S advises to flush the supply lines prior to new faucet or replacement part installation.*

## Adjustment

### 1. Handle/Cap Removal

*Foot Pedal:* Unscrew screw cap (F2) from assembly. Remove F3 and F4 (and F5 if installed).

*Push Button:* Unscrew P3 from cap. Remove P4.

*Wrist Action:* Remove W2. Various handle assemblies are available. Majority of handle assemblies contain handle, screw, and index tab.

### 2. Timing Adjustment

1/8 turn increments  
clockwise for longer  
flow time



1/8 turn increments  
counter-clockwise for  
shorter flow time



Refer to exploded view for metering screw location.

Depress stem (with P5 insulator installed) fully to verify timing and make adjustments if necessary after valve has closed.

### 3. Reinstall handle assembly

## Cartridge Replacement:

1. Turn off water supply.
2. Perform step 1 in adjustment section.
3. Unscrew F6 (foot pedal), P8 (push button), or W4 (wrist action) from faucet body.

4. Unscrew C1 from F6, P8, or W4.

Note: Cartridge may have unscrewed from bonnet during bonnet removal.

5. Discard old C1 and its attached seals.

6. Screw new C1 into bonnet (F6, P8, or W4).

7. Verify that external seals are intact (C3, C4, C5). It is helpful to push C3 into bonnet until it bottoms out. This will insure proper sealing with the faucet body.

8. Screw assembly securely (30 lbs minimum) into faucet body.

9. Turn on water supply and check for leaks.

10. Reinstall handle assembly.

*Caution: If faucet has separate hot and cold controls, make certain that hot water shuts off before cold to avoid scalding.*

*Wrist Action Note: Install wrist action handles in an orientation that allows 1/4 turn (full activation of metering cartridge). Whenever possible, install handles to prevent valves from being intentionally stuck in open position when handle is rotated beyond intended 90° (1/4 turn) activation.*



## RELATED T&S BRASS PRODUCT LINE

---

### T&S BRASS AND BRONZE WORKS, INC.

A firm commitment to application-engineered plumbing products

2 Saddleback Cove, P.O. Box 1088,  
Travelers Rest, SC 29690

*Phone:* (864) 834-4102

*Fax:* (864) 834-3518

*E-mail:* [tsbrass@tsbrass.com](mailto:tsbrass@tsbrass.com)

T & S Brass-Europe  
'De Veenhoeve'

Oude Nieuwveenseweg 84

2441 CW Nieuwveen

The Netherlands



RELIABILITY BUILT IN™