



T&S BRASS AND BRONZE WORKS, INC.

2 Saddleback Cove / P.O. Box 1088
Travelers Rest, SC 29690

Model No.

B-0805

Item No.

Travelers Rest, SC: 800-476-4103 • Simi Valley, CA: 800-423-0150 • Fax: 864-834-3518 • www.tsbrass.com



ADA Compliant

This Space for Architect/Engineer Approval

Job Name _____ Date _____

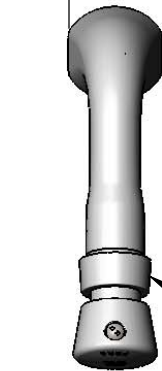
Model Specified _____ Quantity _____

Customer/Wholesaler _____

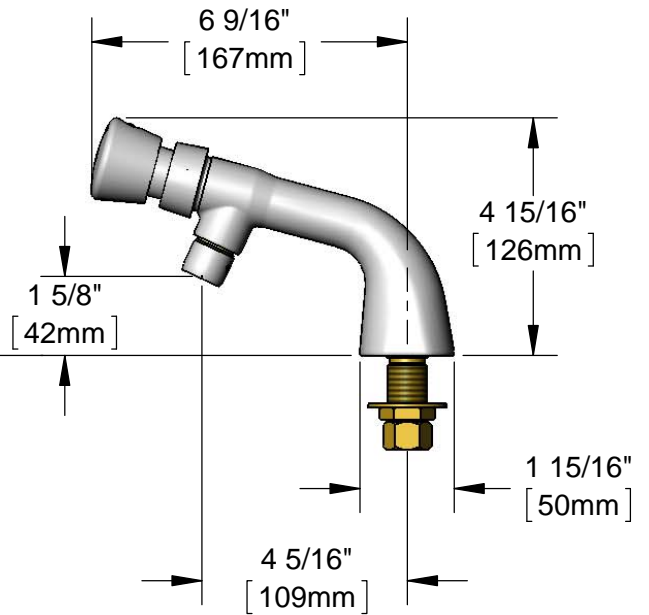
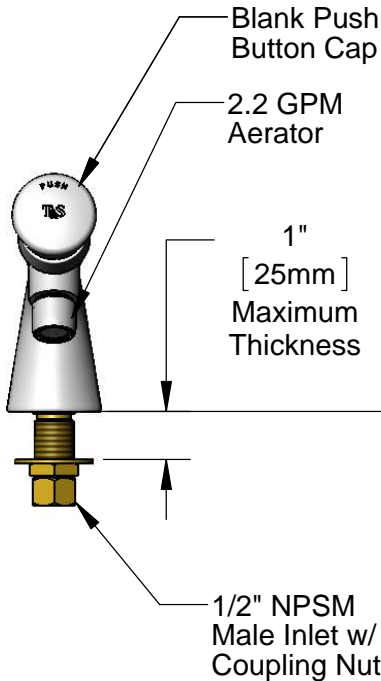
Contractor _____

Architect/Engineer _____

1 15/16"
[50mm]



Metering Cartridge
(Requires 3/32" Hex
Key for Adjustment)



Rough-In Requirement:
Ø 1" [25mm] Mounting Hole

Product Specifications:

Single Hole, Single Temperature Deck Mount Faucet, Push Button Metering Cartridge, 2.2 GPM Aerator & 1/2" NPSM Male Inlet

Product Compliance:

ASME A112.18.1 / CSA B125.1
NSF 61 - Section 9
NSF 372 (Low Lead Content)
ANSI A117.1 (ADA)



T&S BRASS AND BRONZE WORKS, INC.

2 Saddleback Cove / P.O. Box 1088
Travelers Rest, SC 29690

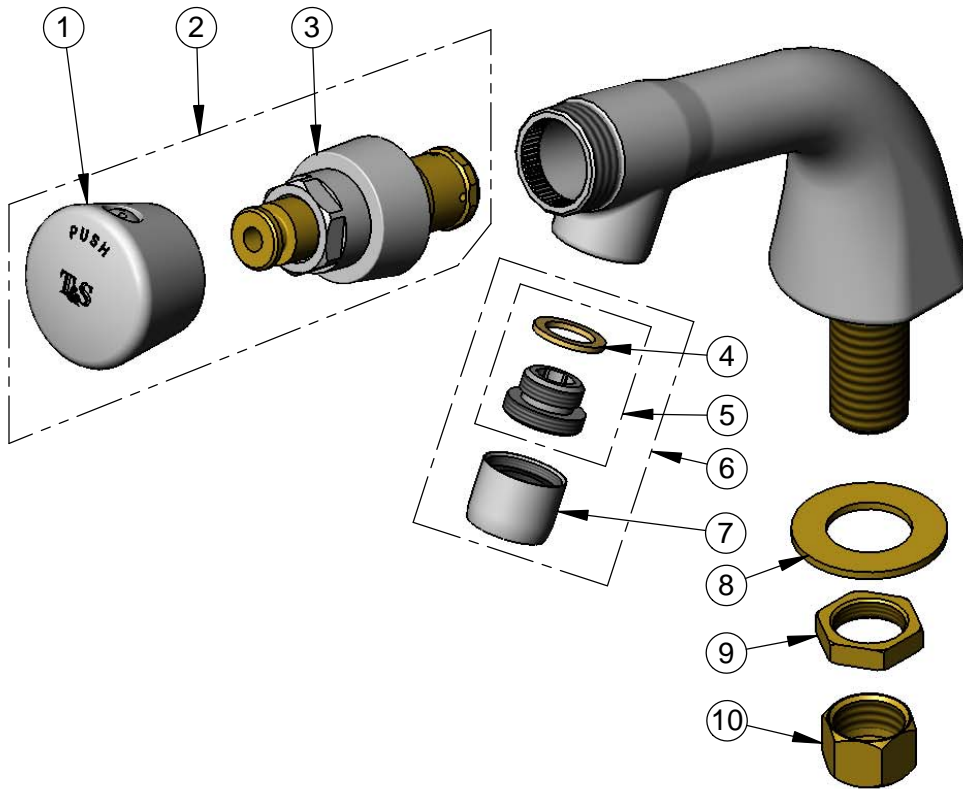
Model No.

B-0805

Item No.

Travelers Rest, SC: 800-476-4103 • Simi Valley, CA: 800-423-0150 • Fax: 864-834-3518 • www.tsbrass.com

ITEM NO.	SALES NO.	DESCRIPTION
1	014193-40	Blank Push Button Cap w/ Spanner Bit
2	014193-40	Push Button Cap Asm.
3	238AB	Metering Cartridge w/ Blank Push Button Cap & Spanner Bit
4	238A	Push Button Metering Cartridge
5	001043-45	Washer
6	044A	3/8" to Aerator Adapter
7	B-0199-02	2.2 GPM Aerator, 3/8" NPSM Male
8	B-0199-01	2.2 GPM Aerator, 55/64-27 UN Female
9	000999-45	Brass Lock Washer
10	002954-45	Shank Lock Nut
11	000958-20	Coupling Nut



014734-45
#8 Spanner Bit

Product Specifications:

Single Hole, Single Temperature Deck Mount Faucet, Push Button Metering Cartridge, 2.2 GPM Aerator & 1/2" NPSM Male Inlet

Product Compliance:

ASME A112.18.1 / CSA B125.1
NSF 61 - Section 9
NSF 372 (Low Lead Content)
ANSI A117.1 (ADA)



T&S BRASS AND BRONZE WORKS, INC.

2 Saddleback Cove / P.O. Box 1088
Travelers Rest, SC 29690

Model No.

B-0805-DP

Item No.

Travelers Rest, SC: 800-476-4103 • Simi Valley, CA: 800-423-0150 • Fax: 864-834-3518 • www.tsbrass.com



ADA Compliant

This Space for Architect/Engineer Approval

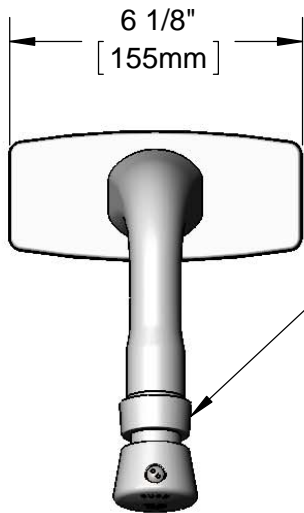
Job Name _____ Date _____

Model Specified _____ Quantity _____

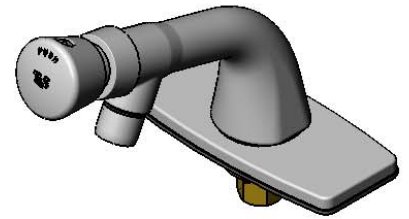
Customer/Wholesaler _____

Contractor _____

Architect/Engineer _____



Metering Cartridge
(Requires 3/32" Hex
Key for Adjustment)



Blank Push Button Cap

Polish Chrome
Cover Plate w/
Deck Gasket

2.2 GPM Aerator

1/2"
[13mm]
Maximum
Thickness

Mounting
Surface

2 1/16"
[53mm]

6 9/16"
[167mm]

5 7/16"
[138mm]

2 3/4"
[69mm]

1/2" NPSM
Male Inlet w/
Coupling Nut

4 5/16"
[109mm]

Rough-In Requirement:
Ø 1" [25mm] Mounting Hole

Product Specifications:

Single Hole, Single Temperature Deck Mount Faucet, Push Button Metering Cartridge, 2.2 GPM Aerator & Polish Chrome Cover Plate & 1/2" NPSM Male Inlet

Product Compliance:

ASME A112.18.1 / CSA B125.1
NSF 61 - Section 9
NSF 372 (Low Lead Content)
ANSI A117.1 (ADA)



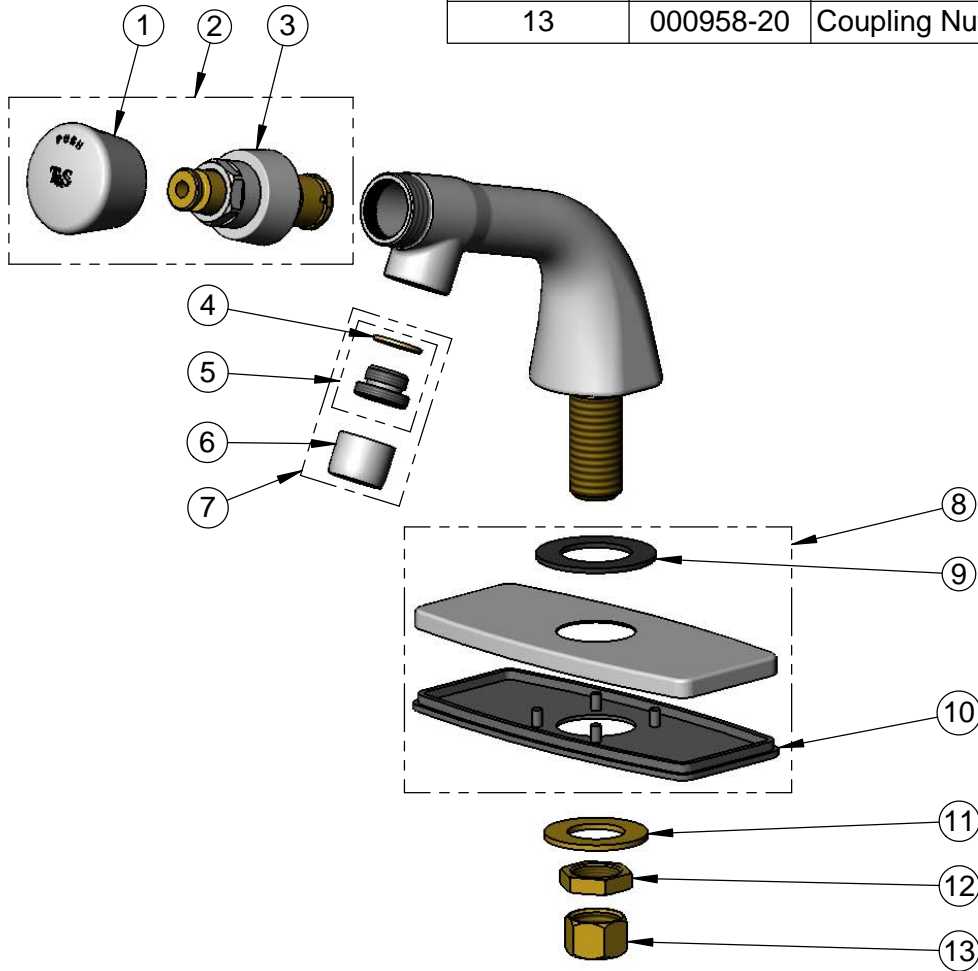
T&S BRASS AND BRONZE WORKS, INC.
 2 Saddleback Cove / P.O. Box 1088
 Travelers Rest, SC 29690

Model No.
B-0805-DP

Item No.

Travelers Rest, SC: 800-476-4103 • Simi Valley, CA: 800-423-0150 • Fax: 864-834-3518 • www.tsbrass.com

ITEM NO.	SALES NO.	DESCRIPTION
1	014193-40	Blank Push Button Cap w/ Spanner Bit
2	238AB	Metering Cartridge w/ Blank Push Button Cap & Spanner Bit
3	238A	Push Button Metering Cartridge
4	001043-45	Washer
5	044A	3/8" to Aerator Adapter
6	B-0199-01	2.2 GPM Aerator, 55/64-27 Female
7	B-0199-02	2.2 GPM Aerator, 3/8" NPSM Male
8	009345-45	Cover Plate w/ Gasket & Seal
9	014612-45	Deck Seal
10	018259-45	Gasket, 4" Cover Plate
11	000999-45	Brass Lock Washer
12	002954-45	Shank Lock Nut
13	000958-20	Coupling Nut




 014734-45
 #8 Spanner Bit

Product Specifications:

Single Hole, Single Temperature Deck Mount Faucet, Push Button Metering Cartridge, 2.2 GPM Aerator & Polish Chrome Cover Plate & 1/2" NPSM Male Inlet

Product Compliance:

ASME A112.18.1 / CSA B125.1
 NSF 61 - Section 9
 NSF 372 (Low Lead Content)
 ANSI A117.1 (ADA)



T&S BRASS AND BRONZE WORKS, INC.
 2 Saddleback Cove / P.O. Box 1088
 Travelers Rest, SC 29690

Model No.
B-0805-F05

Item No.

Travelers Rest, SC: 800-476-4103 • Simi Valley, CA: 800-423-0150 • Fax: 864-834-3518 • www.tsbrass.com

This Space for Architect/Engineer Approval

Job Name _____ Date _____

Model Specified _____ Quantity _____

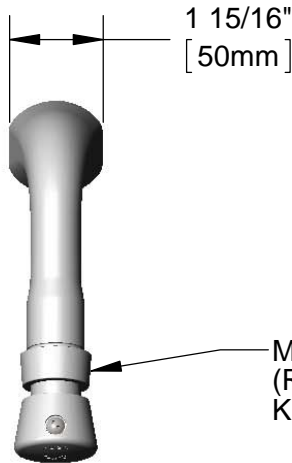
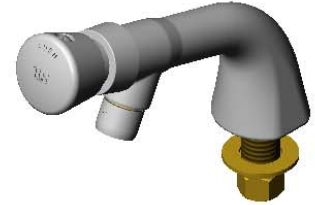
Customer/Wholesaler _____

Contractor _____

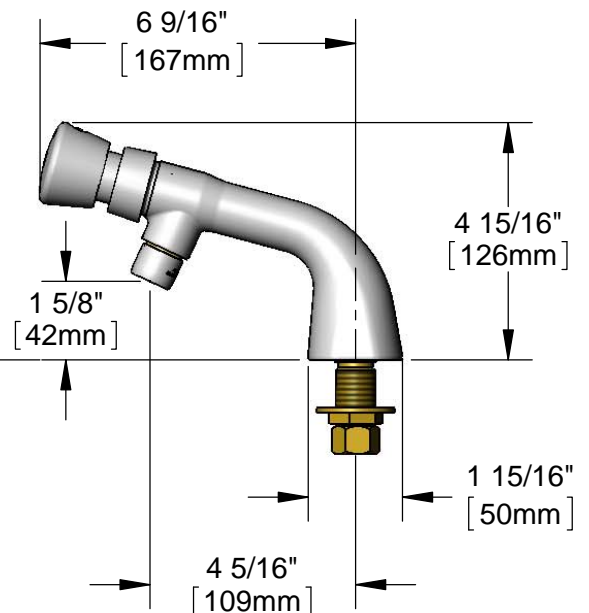
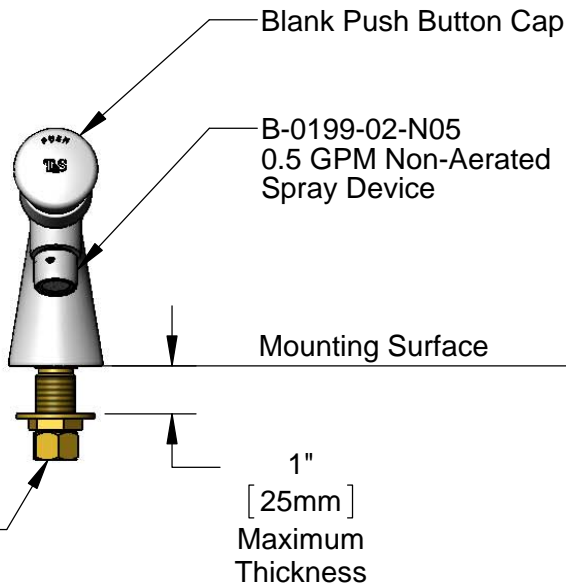
Architect/Engineer _____



ADA Compliant



Metering Cartridge
 (Requires 3/32" Hex Key for Adjustment)



Rough-In Requirement:
 Ø 1" [25mm] Mounting Hole

Product Specifications:
 Single Temperature Deck Mount Faucet, Push Button Metering
 Cartridge, 0.5 GPM Non-Aerated Spray Device & 1/2" NPSM Male Inlet

Drawn KJG	Checked DHL	Approved JHB
Scale: 1:4		Date: 01/28/13



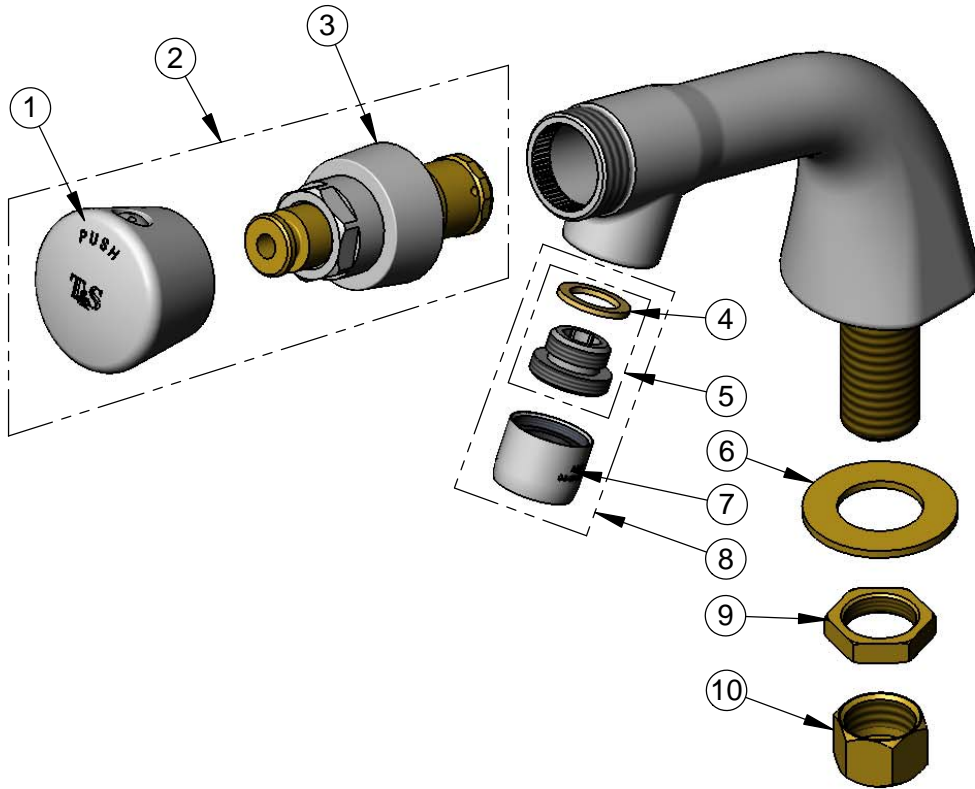
T&S BRASS AND BRONZE WORKS, INC.
 2 Saddleback Cove / P.O. Box 1088
 Travelers Rest, SC 29690

Model No.
B-0805-F05

Item No.

Travelers Rest, SC: 800-476-4103 • Simi Valley, CA: 800-423-0150 • Fax: 864-834-3518 • www.tsbrass.com

ITEM NO.	SALES NO.	DESCRIPTION
1	014193-40	Blank Push Button Cap w/ Spanner Bit
2	238AB	238A Metering Cartridge w/ Blank Push Button Cap
3	238A	Push Button Metering Cartridge
4	001043-45	Washer
5	044A	3/8" to Aerator Adapter
6	000999-45	Brass Lock Washer
7	B-0199-01-N05	0.5 GPM Spray Device, 55/64"-27UN Female
8	B-0199-02-N05	0.5 GPM Spray Device Asm, 3/8" NPSM Male
9	002954-45	Shank Lock Nut
10	000958-20	Coupling Nut



014734-45
 Spanner Bit for
 Vandal Resistant Screw

Product Specifications:
 Single Temperature Deck Mount Faucet, Push Button Metering
 Cartridge, 0.5 GPM Non-Aerated Spray Device & 1/2" NPSM Male Inlet

Drawn KJG	Checked DHL	Approved JHB
---------------------	-----------------------	------------------------

Scale: NTS	Date: 01/28/13
----------------------	--------------------------



T&S BRASS AND BRONZE WORKS, INC.

2 Saddleback Cove / P.O. Box 1088
Travelers Rest, SC 29690

Model No.

B-0805-VF05

Item No.

Travelers Rest, SC: 800-476-4103 • Simi Valley, CA: 800-423-0150 • Fax: 864-834-3518 • www.tsbrass.com

This Space for Architect/Engineer Approval

Job Name _____ Date _____

Model Specified _____ Quantity _____

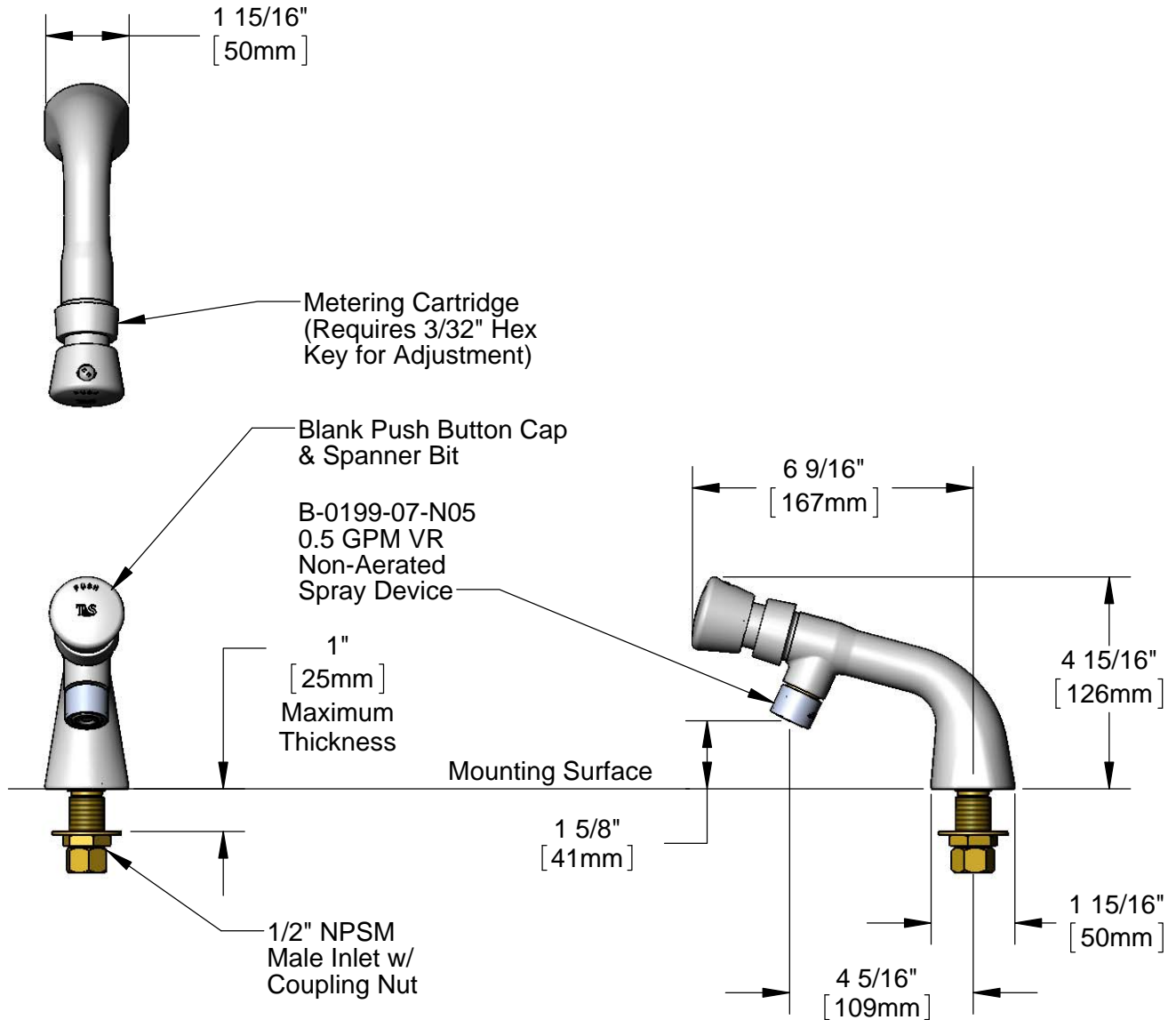
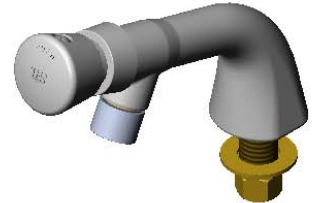
Customer/Wholesaler _____

Contractor _____

Architect/Engineer _____



ADA Compliant



Rough-In Requirement:
Ø 1" [25mm] Mounting Hole

Product Specifications:
Single Temperature Deck Mount Faucet, Push Button Metering Cartridge, 0.5 GPM VR Non-Aerated Spray Device & 1/2" NPSM Male Inlet

Drawn KJG	Checked DHL	Approved JHB
Scale: 1:4		Date: 03/18/13



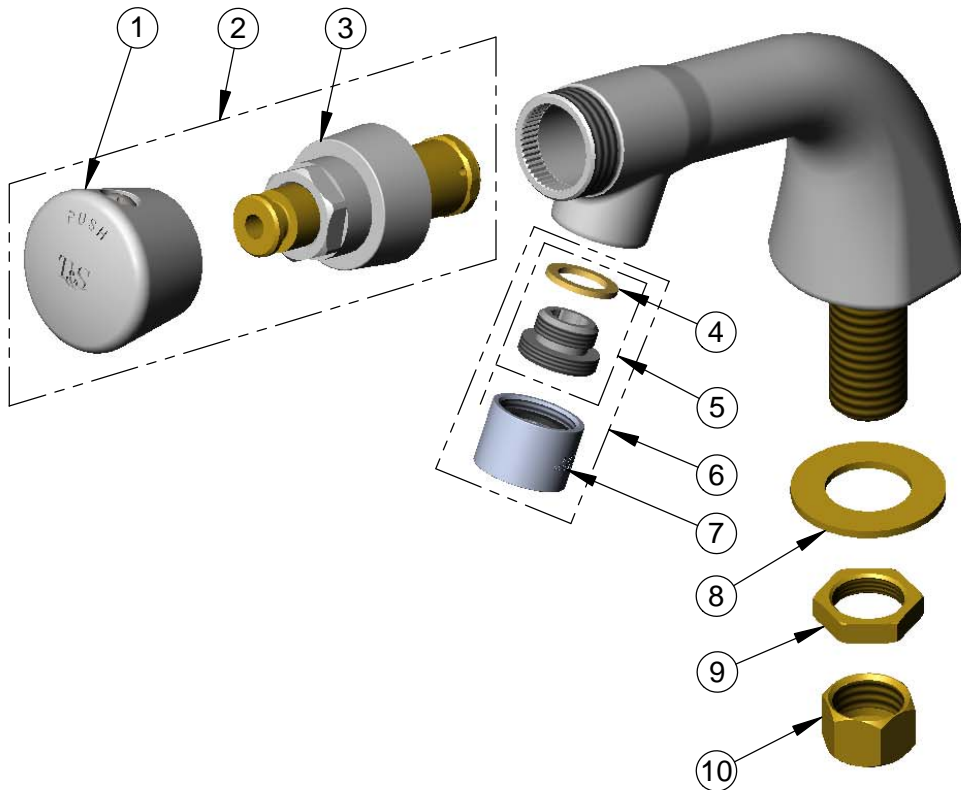
T&S BRASS AND BRONZE WORKS, INC.
 2 Saddleback Cove / P.O. Box 1088
 Travelers Rest, SC 29690

Model No.
B-0805-VF05

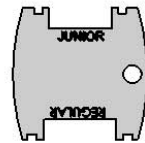
Item No.

Travelers Rest, SC: 800-476-4103 • Simi Valley, CA: 800-423-0150 • Fax: 864-834-3518 • www.tsbrass.com

ITEM NO.	SALES NO.	DESCRIPTION
1	014193-40	Blank Push Button Cap w/ Spanner Bit
2	238AB	Metering Cartridge w/ Blank Push Button Cap & Spanner Bit
3	238A	Push Button Metering Cartridge
4	001043-45	Washer
5	044A	3/8" to Aerator Adapter
6	B-0199-07-N05	VR 0.5 GPM Non-Aerated Spray Device, 3/8" NPSM Male w/ Key
7	B-0199-06-N05	VR 0.5 GPM Non-Aerated Spray Device, 55/64"-27 UN Female w/ Key
8	000999-45	Brass Lock Washer
9	002954-45	Shank Lock Nut
10	000958-20	Coupling Nut



014734-45
Spanner Bit



015425-45
Vandal Resistant Key

Product Specifications:
 Single Temperature Deck Mount Faucet, Push Button Metering Cartridge, 0.5 GPM VR Non-Aerated Spray Device & 1/2" NPSM Male Inlet

Drawn KJG	Checked DHL	Approved JHB
Scale: NTS		Date: 03/18/13



T&S BRASS AND BRONZE WORKS, INC.

2 Saddleback Cove / P.O. Box 1088
Travelers Rest, SC 29690

Model No.

B-0805-VR

Item No.

Travelers Rest, SC: 800-476-4103 • Simi Valley, CA: 800-423-0150 • Fax: 864-834-3518 • www.tsbrass.com



ADA Compliant

This Space for Architect/Engineer Approval

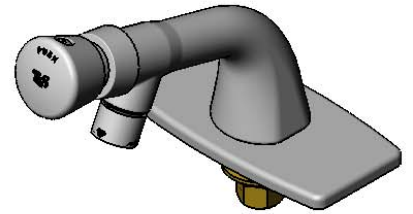
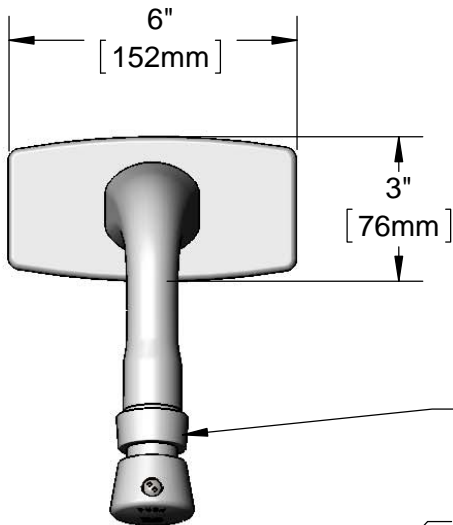
Job Name _____ Date _____

Model Specified _____ Quantity _____

Customer/Wholesaler _____

Contractor _____

Architect/Engineer _____



Metering Cartridge
(Requires 3/32" Hex Key for Adjustment)

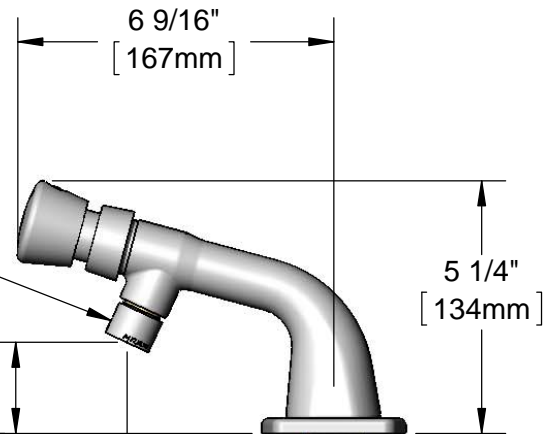
Blank Push Button Cap

Polish Chrome Plated Solid Brass Deck Plate

B-0199-07
2.2 GPM VR
Aerator

3/4" [19mm]
Maximum
Thickness

Mounting Surface



5/16" [8mm]

1 7/8" [48mm]

1/2" NPSM
Male Inlet w/
Coupling Nut

4 5/16" [109mm]

4" [102mm]

Ø 1" [25mm]
Locking Studs

Rough-In Requirement:
Center Shank - Ø 1 1/4" [32mm] Mounting Hole
Posts - (2) Ø 1 1/8" [29mm] Mounting Holes

Product Specifications:
Single Hole, Single Temperature Deck Mount Faucet, Push Button Metering Cartridge, 2.2 GPM VR Aerator, Chrome Plated Forged VR Deck Plate & 1/2" NPSM Male Inlet

Product Compliance:
ASME A112.18.1 / CSA B125.1
NSF 61 - Section 9
NSF 372 (Low Lead Content)
ANSI A117.1 (ADA)



T&S BRASS AND BRONZE WORKS, INC.

2 Saddleback Cove / P.O. Box 1088
Travelers Rest, SC 29690

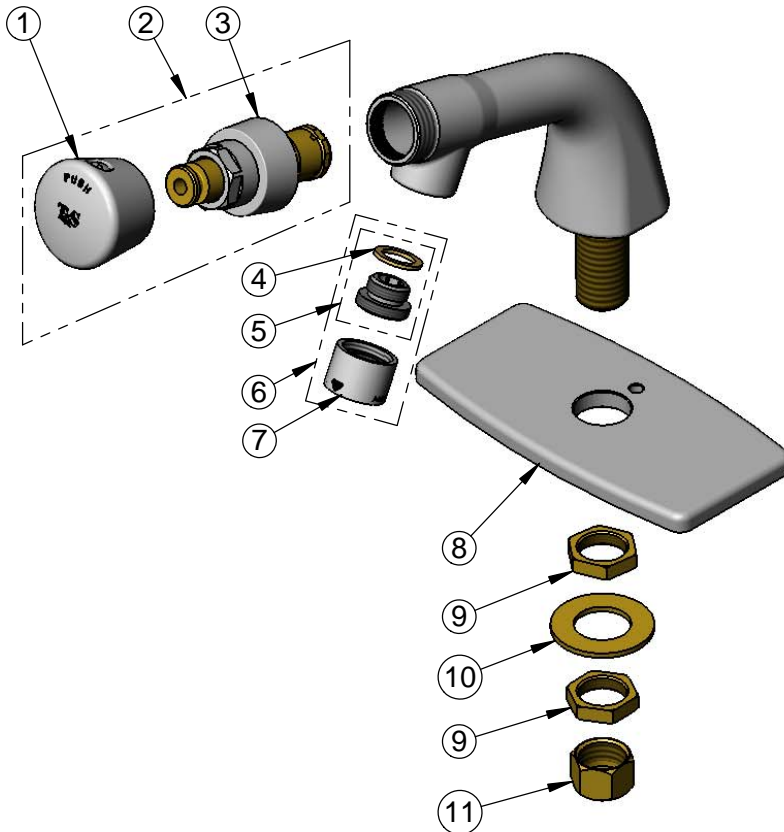
Model No.

B-0805-VR

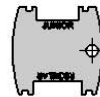
Item No.

Travelers Rest, SC: 800-476-4103 • Simi Valley, CA: 800-423-0150 • Fax: 864-834-3518 • www.tsbrass.com

ITEM NO.	SALES NO.	DESCRIPTION
1	014193-40	Blank Push Button Cap w/ Spanner Bit
2	238AB	Metering Cartridge w/ Blank Push Button Cap & Spanner Bit
3	238A	Push Button Metering Cartridge
4	001043-45	Washer
5	044A	3/8" to Aerator Adapter
6	B-0199-07	VR 2.2 GPM Aerator, 3/8" NPSM Male w/ Key
7	B-0199-06	VR 2.2 GPM Aerator, 55/64-27 UN Female w/ Key
8	013657-40	Forged Deck Plate
9	002954-45	Shank Lock Nut
10	000999-45	Brass Lock Washer



014734-45
#8 Spanner Bit



015425-45
Vandal Resistant Key

Product Specifications:

Single Hole, Single Temperature Deck Mount Faucet, Push Button Metering Cartridge, 2.2 GPM VR Aerator, Chrome Plated Forged VR Deck Plate & 1/2" NPSM Male Inlet

Product Compliance:

ASME A112.18.1 / CSA B125.1
NSF 61 - Section 9
NSF 372 (Low Lead Content)
ANSI A117.1 (ADA)



T&S BRASS AND BRONZE WORKS, INC.

2 Saddleback Cove / P.O. Box 1088
Travelers Rest, SC 29690

Model No.

B-0805-VR-LDP

Item No.

Travelers Rest, SC: 800-476-4103 • Simi Valley, CA: 800-423-0150 • Fax: 864-834-3518 • www.tsbrass.com



ADA Compliant

This Space for Architect/Engineer Approval

Job Name _____ Date _____

Model Specified _____ Quantity _____

Customer/Wholesaler _____

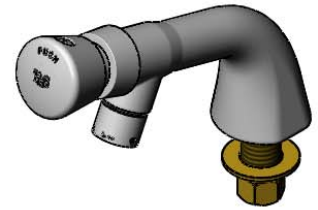
Contractor _____

Architect/Engineer _____

1 15/16"
[50mm]



Metering Cartridge
(Requires 3/32" Hex Key for Adjustment)



Blank Push Button Cap
& Spanner Bit

B-0199-07
2.2 GPM VR
Aerator w/ Key



1"
[25mm]
Maximum
Thickness

Mounting
Surface

1 5/8"
[41mm]

1/2" NPSM
Male Inlet w/
Coupling Nut

6 9/16"
[167mm]

4 15/16"
[126mm]

1 15/16"
[50mm]

4 5/16"
[109mm]

Rough-in Requirement:
Ø 1" [25mm] Mounting Hole

Product Specifications:
Single Temperature Deck Mount Faucet, Push Button Metering Cartridge, 2.2 GPM VR Aerator & 1/2" NPSM Male Inlet

Drawn

KJG

Checked

DHL

Approved

JHB

Scale:

1:4

Date:

03/18/13

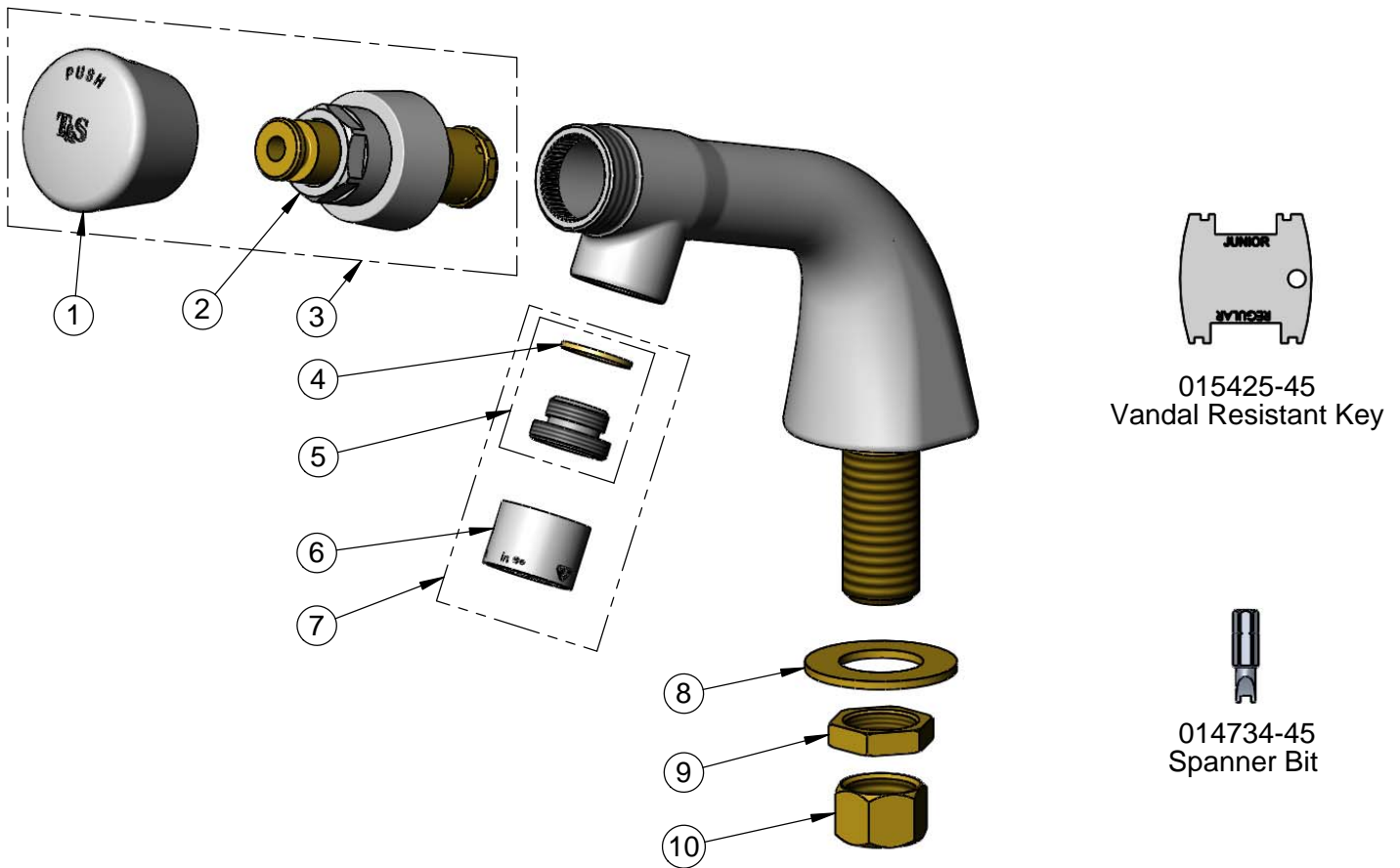


T&S BRASS AND BRONZE WORKS, INC.
 2 Saddleback Cove / P.O. Box 1088
 Travelers Rest, SC 29690

Model No.
B-0805-VR-LDP
 Item No.

Travelers Rest, SC: 800-476-4103 • Simi Valley, CA: 800-423-0150 • Fax: 864-834-3518 • www.tsbrass.com

ITEM NO.	SALES NO.	DESCRIPTION
1	014193-40	Blank Push Button Cap w/ Spanner Bit
2	238A	Push Button Metering Cartridge
3	238AB	Metering Cartridge w/ Blank Push Button Cap & Spanner Bit
4	001043-45	Washer
5	044A	3/8" to Aerator Adapter
6	B-0199-06	VR 2.2 GPM Aerator, 55/64"-27 UN w/ Key
7	B-0199-07	VR 2.2 GPM Aerator, 3/8" NPSM Male w/ Key
8	000999-45	Brass Lock Washer
9	002954-45	Shank Lock Nut
10	000958-20	Coupling Nut



Product Specifications:
 Single Temperature Deck Mount Faucet, Push Button Metering Cartridge, 2.2 GPM VR Aerator & 1/2" NPSM Male Inlet

Drawn KJG	Checked DHL	Approved JHB
Scale: NTS		Date: 03/18/13



T&S BRASS AND BRONZE WORKS, INC.

2 Saddleback Cove / P.O. Box 1088
Travelers Rest, SC 29690

Model No.

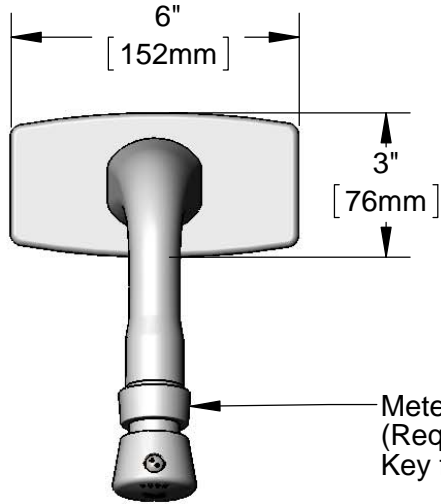
B-0805-VR-VF05

Item No.

Travelers Rest, SC: 800-476-4103 • Simi Valley, CA: 800-423-0150 • Fax: 864-834-3518 • www.tsbrass.com



ADA Compliant



Metering Cartridge
(Requires 3/32" Hex Key for Adjustment)

This Space for Architect/Engineer Approval

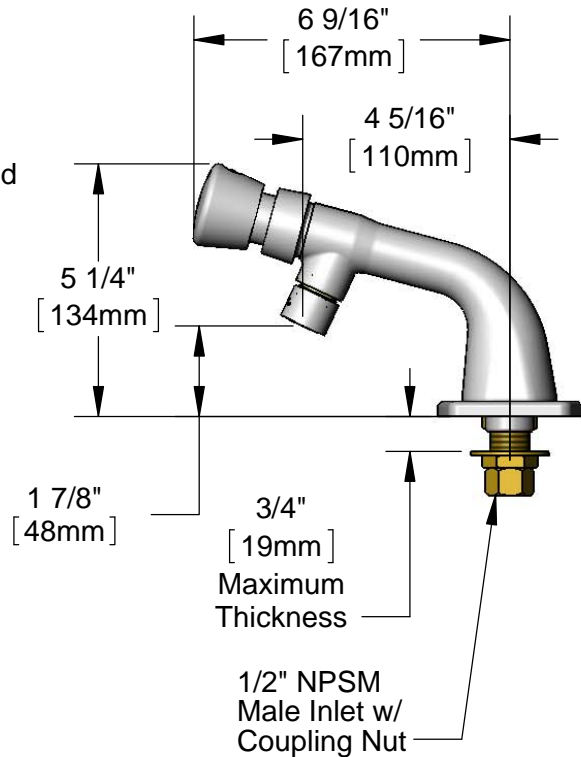
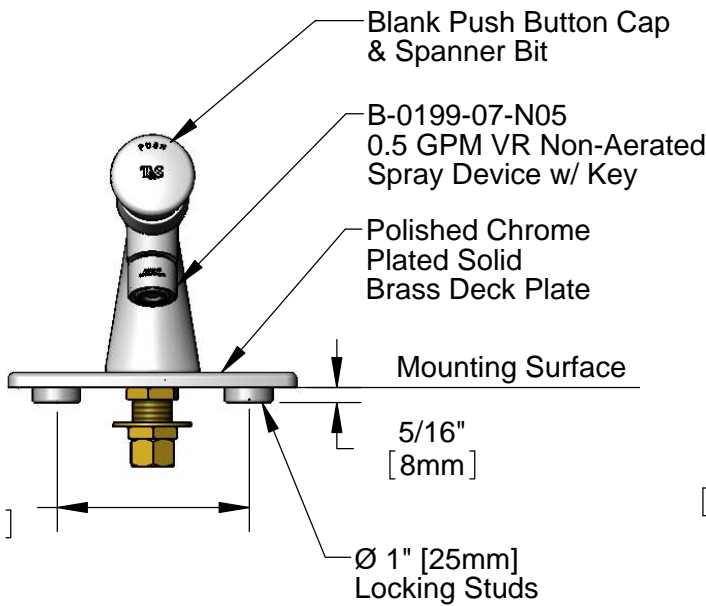
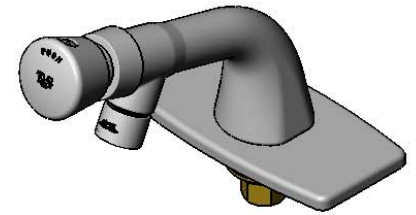
Job Name _____ Date _____

Model Specified _____ Quantity _____

Customer/Wholesaler _____

Contractor _____

Architect/Engineer _____



Rough-In Requirement:
Center Shank - Ø 1 1/4" [32mm] Mounting Hole
Locking Studs - (2) Ø 1 1/8" [29mm] Mounting Holes

Product Specifications:
Single Temperature Deck Mount Faucet w/ Push Button Metering Cartridge, 0.5 GPM VR Non-Aerated Spray Device, Chrome Plated Forged VR Deck Plate & 1/2" NPSM Male Inlet

Product Compliance:
ASME A112.18.1 / CSA B125.1
NSF 61 - Section 9
NSF 372 (Low Lead Content)
ANSI A117.1 (ADA)



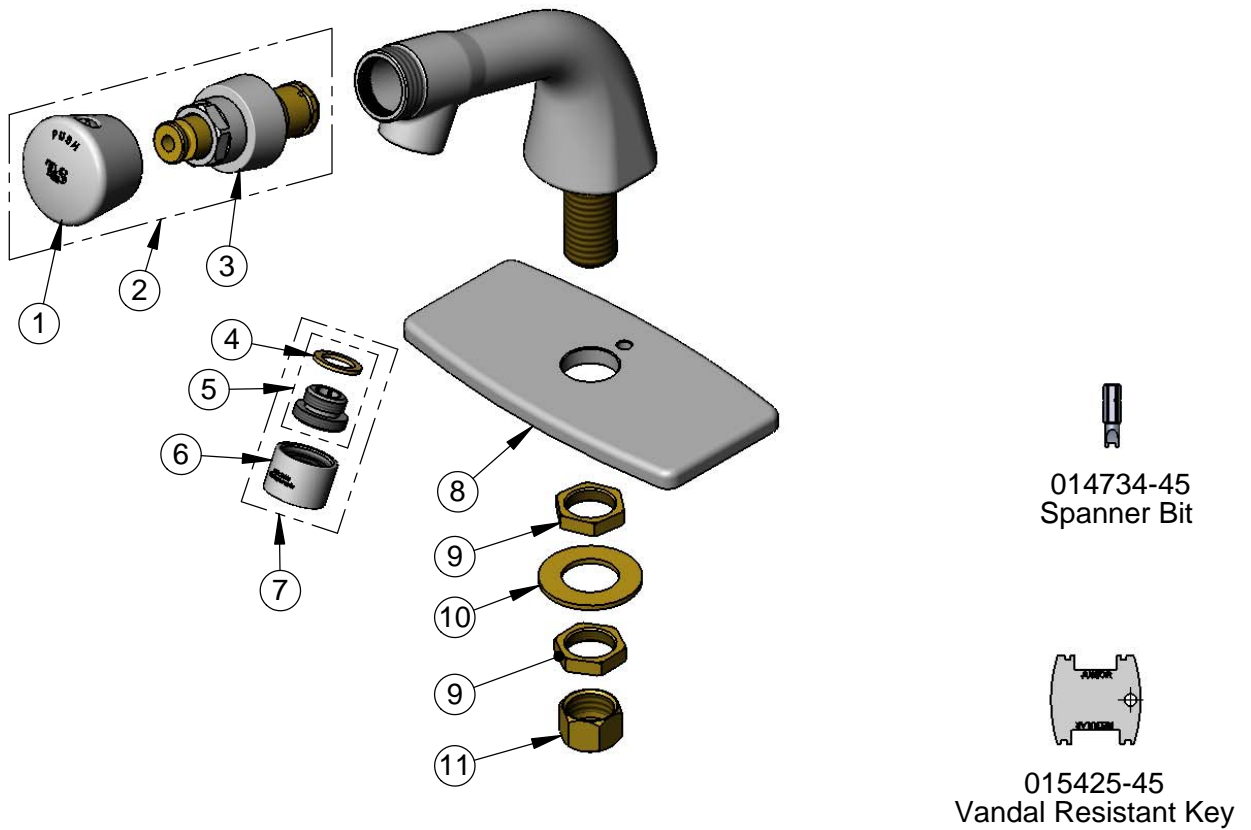
T&S BRASS AND BRONZE WORKS, INC.
 2 Saddleback Cove / P.O. Box 1088
 Travelers Rest, SC 29690

Model No.
B-0805-VR-VF05

Item No.

Travelers Rest, SC: 800-476-4103 • Simi Valley, CA: 800-423-0150 • Fax: 864-834-3518 • www.tsbrass.com

ITEM NO.	SALES NO.	DESCRIPTION
1	014193-40	Blank Push Button Cap w/ Spanner Bit
2	238AB	Metering Cartridge w/ Blank Push Button Cap & Spanner Bit
3	238A	Push Button Metering Cartridge
4	001043-45	Washer
5	044A	3/8" to Aerator Adapter
6	B-0199-06-N05	VR 0.5 GPM Non-Aerated Spray Device, 55/64"-27 UN Female w/ Key
7	B-0199-07-N05	VR 0.5 GPM Non-Aerated Spray Device, 3/8" NPSM Male
8	013657-40	Forged Deck Plate
9	002954-45	Shank Lock Nut
10	000999-45	Brass Lock Washer
11	000958-20	Coupling Nut



Product Specifications:
 Single Temperature Deck Mount Faucet w/ Push Button Metering Cartridge,
 0.5 GPM VR Non-Aerated Spray Device, Chrome Plated Forged VR Deck
 Plate & 1/2" NPSM Male Inlet

Product Compliance:
 ASME A112.18.1 / CSA B125.1
 NSF 61 - Section 9
 NSF 372 (Low Lead Content)
 ANSI A117.1 (ADA)



T&S BRASS AND BRONZE WORKS, INC.

2 Saddleback Cove / P.O. Box 1088
Travelers Rest, SC 29690

Model No.

B-0805-WS

Item No.

Travelers Rest, SC: 800-476-4103 • Simi Valley, CA: 800-423-0150 • Fax: 864-834-3518 • www.tsbrass.com



ADA Compliant



This Space for Architect/Engineer Approval

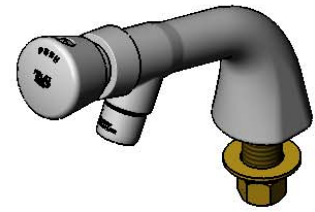
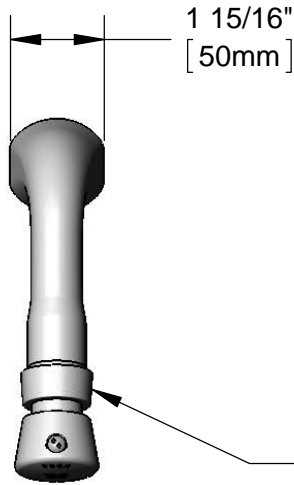
Job Name _____ Date _____

Model Specified _____ Quantity _____

Customer/Wholesaler _____

Contractor _____

Architect/Engineer _____



Metering Cartridge
(Requires 3/32" Hex
Key for Adjustment)

Blank Push Button Cap
& Spanner Bit

B-0199-02-WS
1.5 GPM WaterSense
Aerator

1"
[25mm]
Maximum
Thickness

Mounting Surface

1/2" NPSM
Male Inlet w/
Coupling Nut

6 9/16"
[167mm]

4 15/16"
[126mm]

1 5/8"
[41mm]

1 15/16"
[50mm]

4 5/16"
[109mm]

Rough-In Requirement:
Ø 1" [25mm] Mounting Hole

Product Specifications:

Single Temperature Deck Mount Faucet, Push Button Metering Cartridge, 1.5 GPM WaterSense Aerator & 1/2" NPSM Male Inlet

Drawn

KJG

Checked

DHL

Approved

JHB

Scale:

1:4

Date:

03/18/13



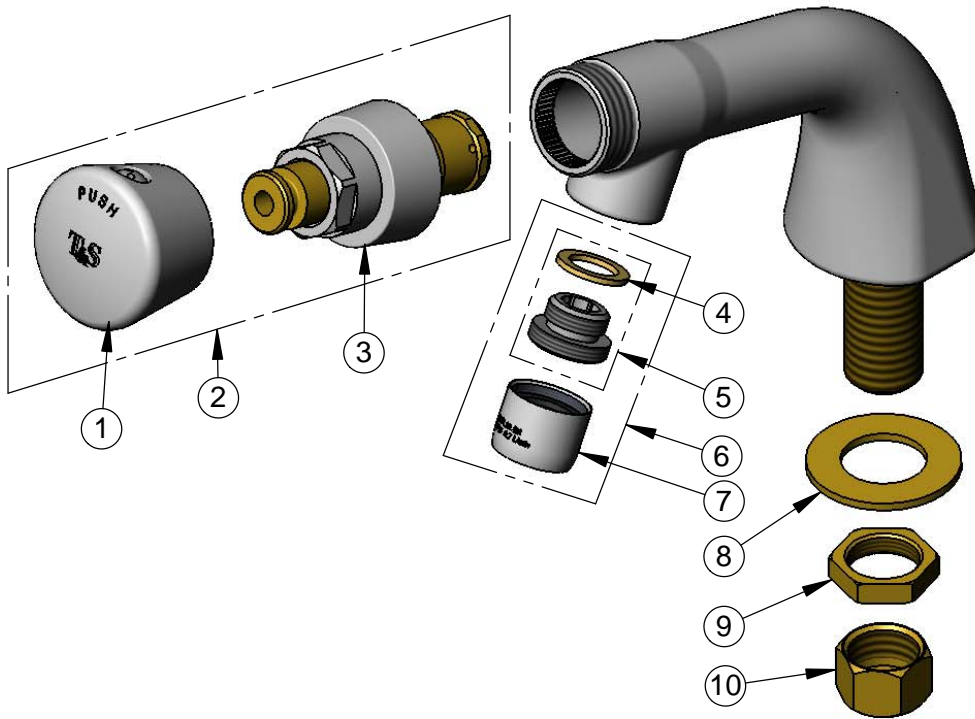
T&S BRASS AND BRONZE WORKS, INC.
 2 Saddleback Cove / P.O. Box 1088
 Travelers Rest, SC 29690

Model No.
B-0805-WS

Item No.

Travelers Rest, SC: 800-476-4103 • Simi Valley, CA: 800-423-0150 • Fax: 864-834-3518 • www.tsbrass.com

ITEM NO.	SALES NO.	DESCRIPTION
1	014193-40	Blank Push Button Cap w/ Spanner Bit
2	238AB	Metering Cartridge w/ Blank Push Button Cap & Spanner Bit
3	238A	Push Button Metering Cartridge
4	001043-45	Washer
5	044A	3/8" to Aerator Adapter
6	B-0199-02-WS	1.5 GPM Aerator, 3/8" NPSM Male
7	B-0199-01-WS	1.5 GPM Aerator, 55/64-27 Female
8	000999-45	Brass Lock Washer
9	002954-45	Shank Lock Nut
10	000958-20	Coupling Nut



014734-45
 Spanner Bit

Product Specifications:
 Single Temperature Deck Mount Faucet, Push Button Metering
 Cartridge, 1.5 GPM WaterSense Aerator & 1/2" NPSM Male Inlet

Drawn KJG	Checked DHL	Approved JHB
Scale: NTS		Date: 03/18/13