



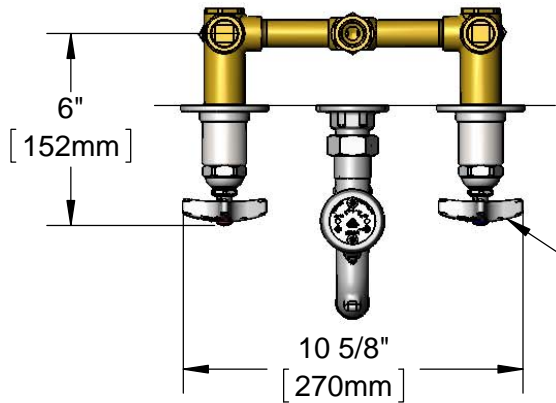
T&S BRASS AND BRONZE WORKS, INC.
 2 Saddleback Cove / P.O. Box 1088
 Travelers Rest, SC 29690

Model No.

B-0695-ST

Item No.

Travelers Rest, SC: 800-476-4103 • Simi Valley, CA: 800-423-0150 • Fax: 864-834-3518 • www.tsbrass.com



ADA Compliant

This Space for Architect/Engineer Approval

Job Name _____ Date _____

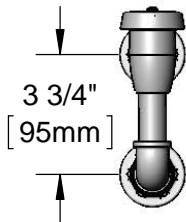
Model Specified _____ Quantity _____

Customer/Wholesaler _____

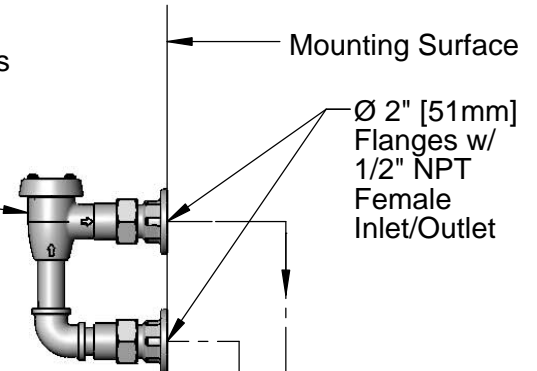
Contractor _____

Architect/Engineer _____

Eterna Cartridges &
 4-Arm Handles w/
 Color Coded Indexes



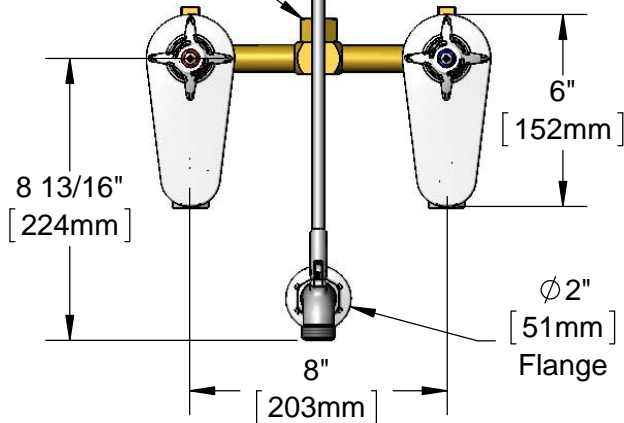
B-0969
 1/2" NPT Vacuum
 Breaker



Upper Wall Support
 Rod w/ Wall Bracket
 & Mounting Screws

Pail Hook Spout
 w/ Garden Hose
 Male Outlet

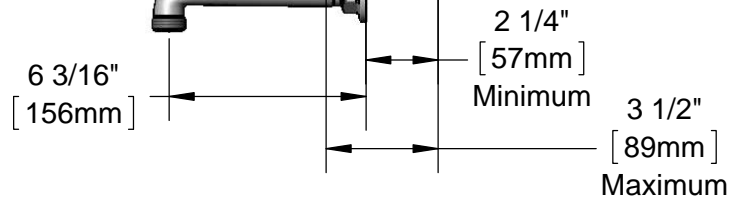
1/2" NPT
 Female Outlet
 Behind Wall



Concealed
 Mixing Valve

Loose Key Stops
 Behind Flanges

1/2" NPT
 Female Inlets



Rough-In Requirement:
 (2) ϕ 1 1/2" [38mm] Mounting Holes
 for Concealed Mixing Valve

Product Specifications:
 8" Wall Mount Concealed Mixing Valve, Eterna Cartridges, 4-Arm
 Handles, Loose Key Stops, Elevated Vacuum Breaker, Spout w/ Garden Hose
 Male Outlet & Upper Support Rod & 1/2" Female Inlets/Outlets

Product Compliance:
 ASME A112.18.1 / CSA B125.1
 NSF 61 - Section 9
 NSF 372 (Low Lead Content)
 ANSI A117.1 (ADA)
 ASSE 1001 (VB)



T&S BRASS AND BRONZE WORKS, INC.

2 Saddleback Cove / P.O. Box 1088
Travelers Rest, SC 29690

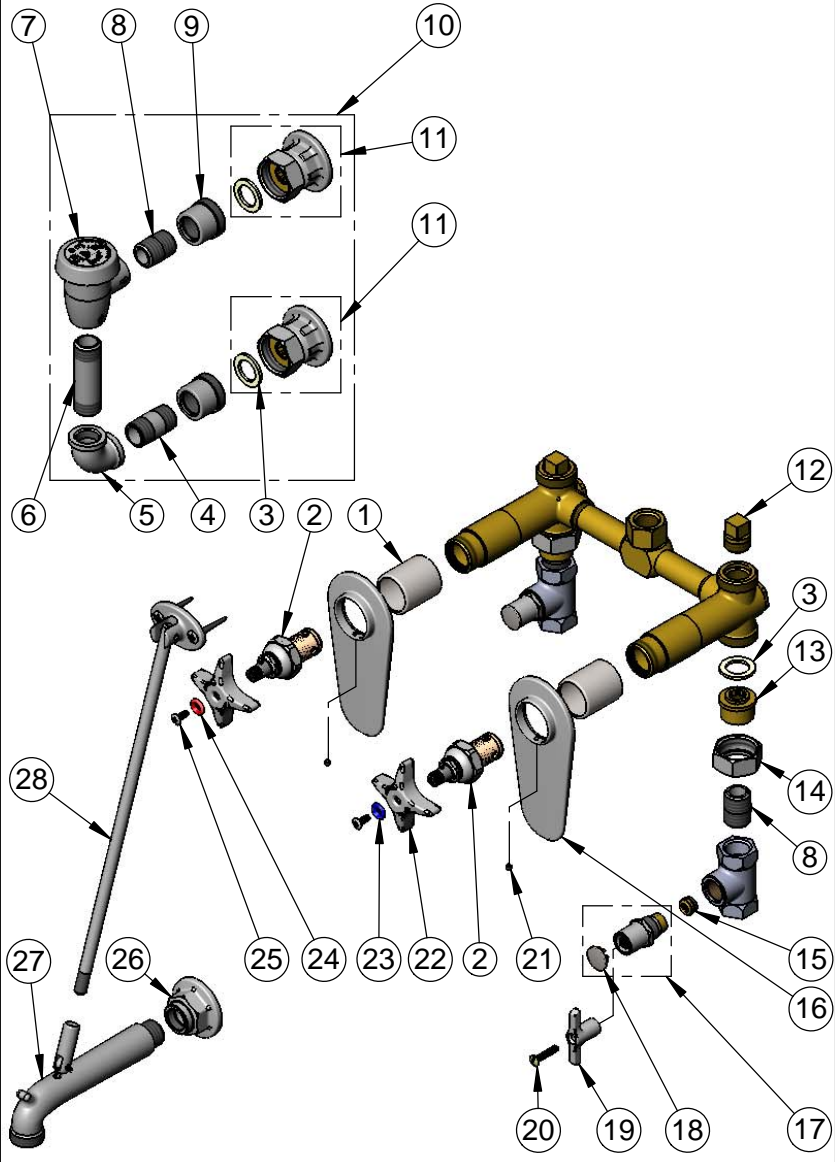
Model No.

B-0695-ST

Item No.

Travelers Rest, SC: 800-476-4103 • Simi Valley, CA: 800-423-0150 • Fax: 864-834-3518 • www.tsbrass.com

ITEM NO.	SALES NO.	DESCRIPTION
2	005960-40	Eterna Cartridge, RTC
3	001019-45	Coupling Nut Washer
4	001509-40	Nipple, 1/2" NPT x 1 1/2"
5	001357-40	1/2" NPT Elbow
6	001510-40	Nipple, 1/2" NPT x 2 5/8"
7	B-0969	1/2" NPT Vacuum Breaker
8	002534-25	Close Nipple, 1/2" NPT
9	000870-40	Union, Male Half
10	B-0929-A	1/2" NPT Atmospheric Vacuum Breaker
11	00AA	1/2" NPT Eccentric Female Flange
12	001347-20	1/2" NPT Plug
13	153F	Union Half, 1/2 NPT w/ Washer
14	000721-25	Flange Coupling Nut
15	000763-20	Seat
16	002820-40	Tear-Drop Escutcheon
17	002892-40	Stop Spindle w/ Cap
18	001605-45	Cap
19	001802-45	Handle, Supply Stop Tee
20	002432-45	Screw, Tee Handle
21	000939-45	Escutcheon, Set Screw
22	002521-45	4-Arm Handle
23	001660-45	Blue Index-CW
24	001661-45	Red Index-HW
25	000922-45	Lever Handle Screw
26	000013-40	Flange, 1/2" NPT Wall Mount
27	009545-40	Spout w/ Male GH Outlet & Upper Clevis - Polished Chrome
28	009546-40	Upper Support Rod



Product Specifications:
8" Wall Mount Concealed Mixing Valve, Eterna Cartridges, 4-Arm Handles, Loose Key Stops, Elevated Vacuum Breaker, Spout w/ Garden Hose Male Outlet & Upper Support Rod & 1/2" Female Inlets/Outlets

Product Compliance:
ASME A112.18.1 / CSA B125.1
NSF 61 - Section 9
NSF 372 (Low Lead Content)
ANSI A117.1 (ADA)
ASSE 1001 (VB)



T&S BRASS AND BRONZE WORKS, INC.

2 SADDLEBACK COVE / P.O. BOX 1088 / TRAVELERS REST, SC 29690

PHONE 800-476-4103

FAX 864-834-3518

Model No.

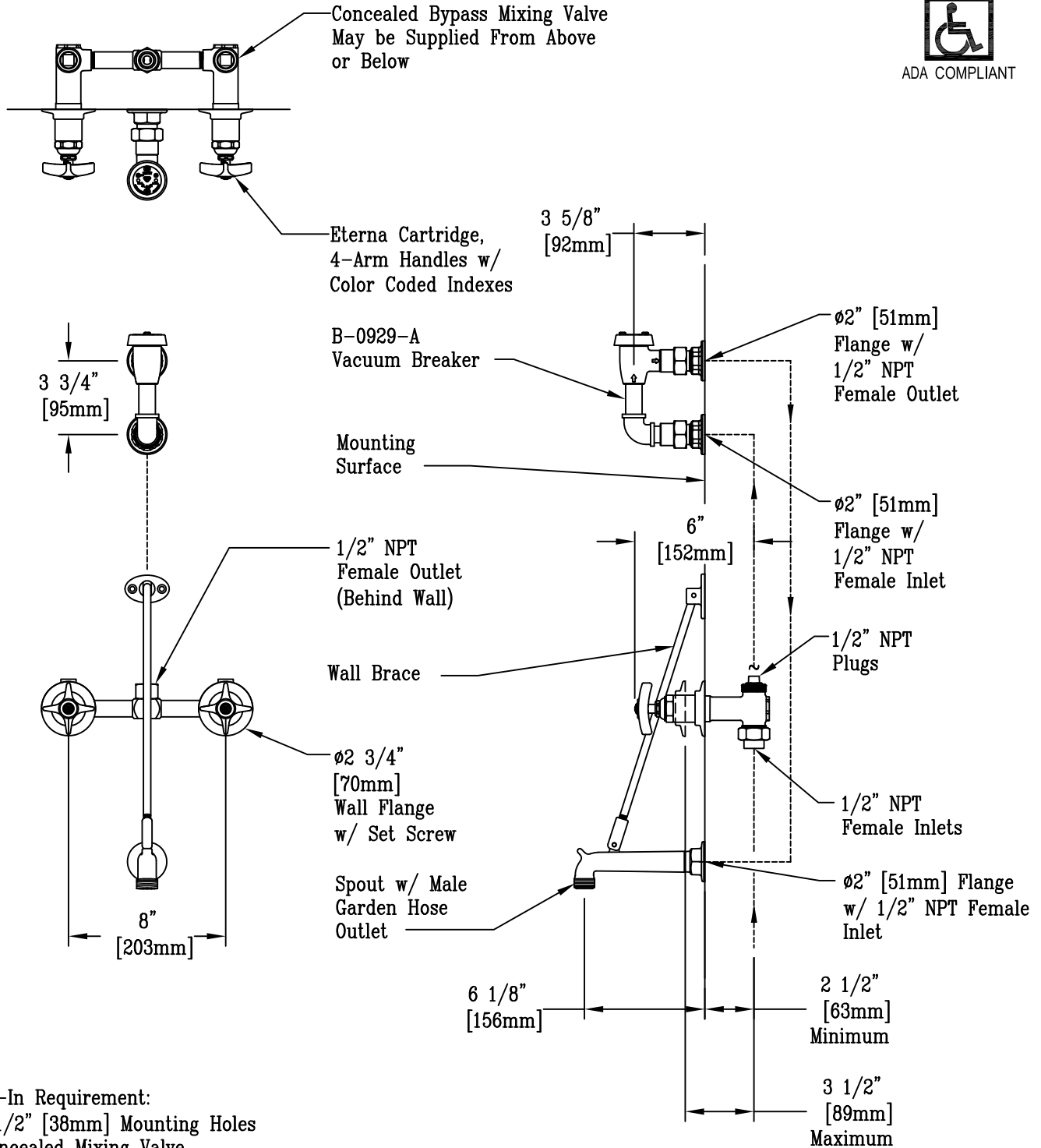
B-0695

Item No.:

Job Name:

Architect/Engineer Approval:

Notes:



Rough-In Requirement:
(2) 1 1/2" [38mm] Mounting Holes
for Concealed Mixing Valve

Product Description:
Service Sink Faucet, Eterna Cartridges, 4-Arm Handles,
Vacuum Breaker, Wall Brace, Spout w/ Male
Garden Hose Outlet & 1/2" NPT Female Inlets

Drawn:

KJG

Checked

DMH

Scale:

1 : 8

Approved

JHB

Date:

03/17/14