



Medical Bedpan Washers

B-0675

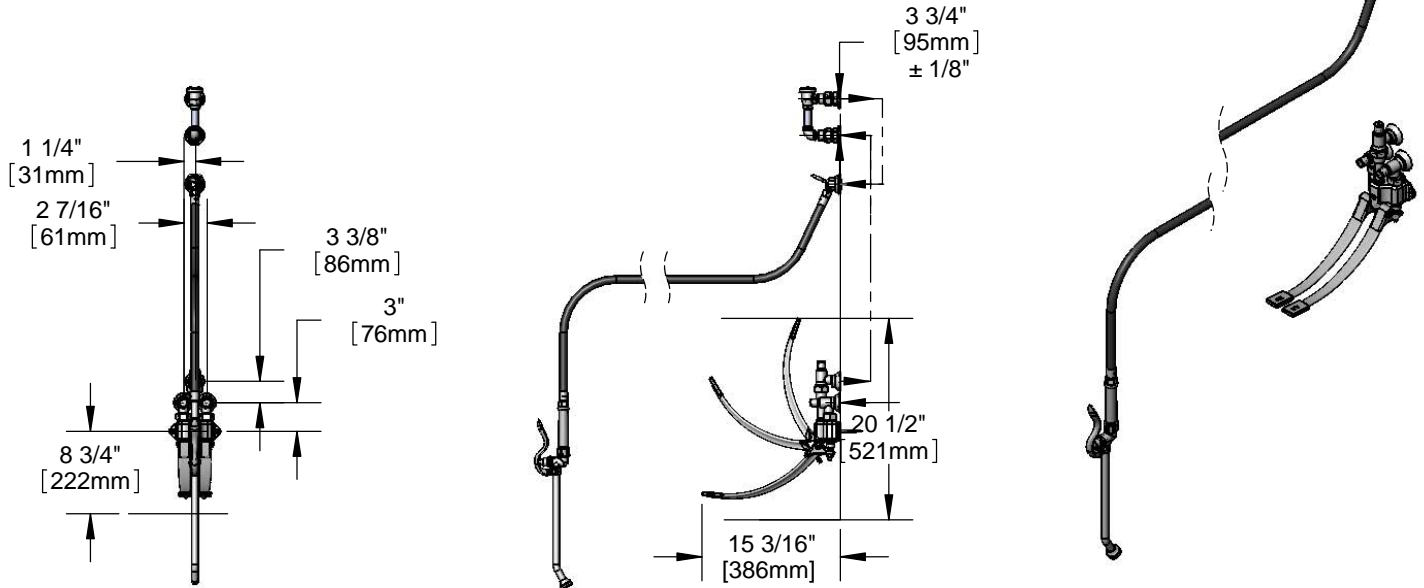
TAG:

Bedpan Washer

Architect/Engineering Specifications:

Wall mount double pedal valve with angled loose key stops, 3/8" NPT angled volume control, 3/8" NPT atmospheric vacuum breaker, 3/8" NPT wall hook outlet, spray valve with extended nozzle and 68" PVC hose and 1/2" NPT female inlets. Certified to ASME A112.18.1/CSA B125.1 and ASSE 1001.

Job Name _____	
Model Specified _____	Quantity _____
Variations Specified _____	
Date _____	



Features & Benefits:

- Wall mount double pedal valve with polished chrome plated brass body
- Pedal valve with 1/2" NPT female angled loose key stops
- Volume control valve with 3/8" NPT female outlet on pedal valve
- Wall hook with 3/8" NPT flange inlet
- 68" PVC hose with self closing spray valve and extended spray nozzle
- Material: Polished chrome plated brass body and vacuum breaker

Product Compliance:

- ASME A112.18.1 / CSA B125.1
- ASSE 1001 (VB)



Warranty: One Year (Limited)

Performance Data:

- Pressure: 20 - 125 psi
- Temperature: 40°F - 140°F
- Flow Rate: 3.75 GPM @ 60 psi



T&S BRASS AND BRONZE WORKS, INC.



• 2 Saddleback Cove • Travelers Rest, SC 29690
 Ph 800-476-4103 • Fax 864-834-3518
 • Simi Valley, CA • Ph 800-423-0150 • www.tsbrass.com

Date: 02/26/15



Medical Bedpan Washers

B-0676

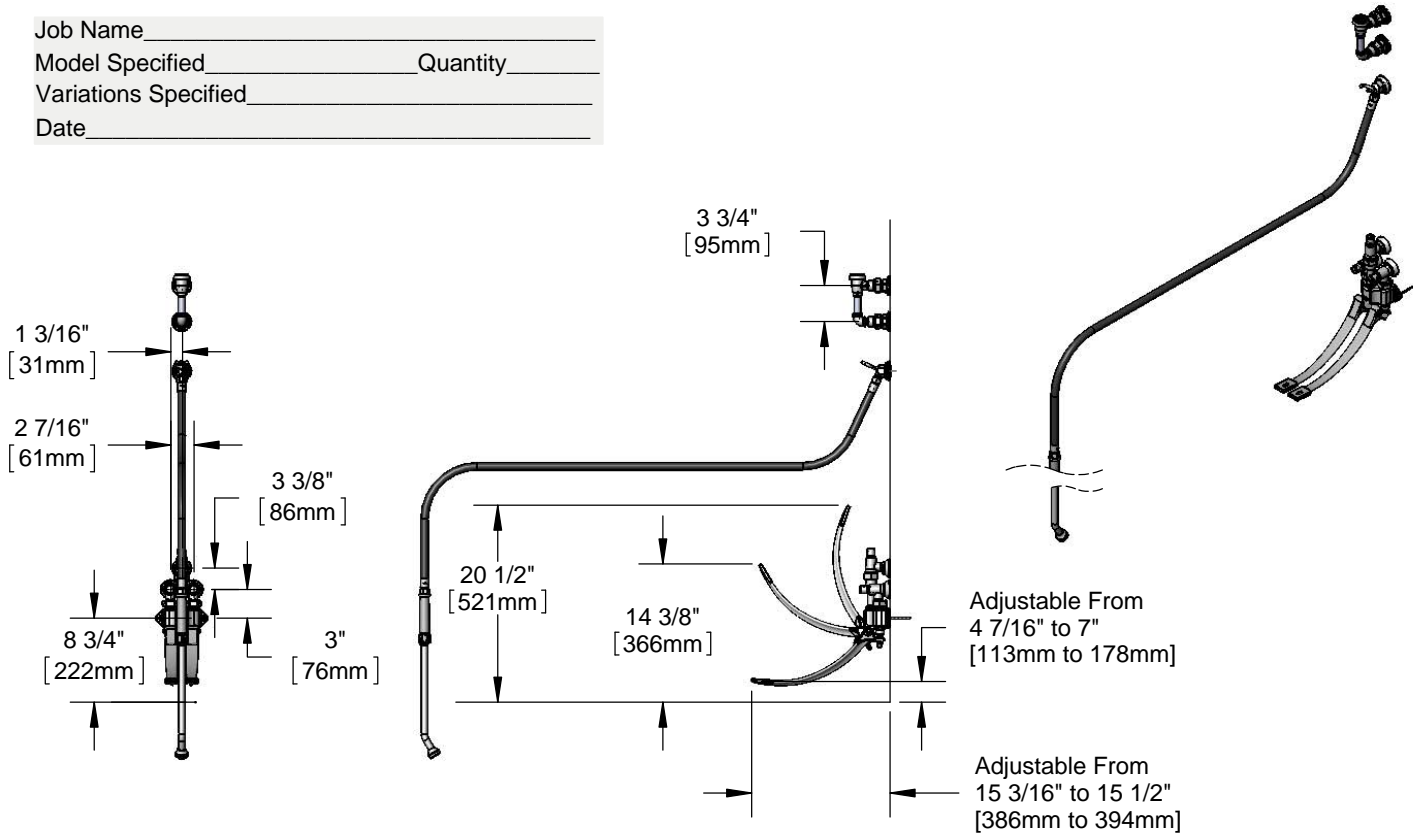
TAG:

Bedpan Washer

Architect/Engineering Specifications:

Wall mount double pedal valve with 1/2" NPT female angled loose key stop inlets, 3/8" NPT female angled loose key stop volume control outlet, elevated atmospheric vacuum breaker with 3/8" NPT female inlet and outlet, wall hook outlet with 3/8 NPT female inlet, 68" PVC hose with heat resistant handle and extended nozzle. Certified to ASME A112.18.1/CSA B125.1, NSF 61-Section 9, NSF-372 and ASSE 1001.

Job Name	_____
Model Specified	_____ Quantity _____
Variations Specified	_____
Date	_____



Features & Benefits:

- Wall mount double pedal valve with polished chrome plated brass body
- Pedal valve with 1/2" NPT female angled loose key stops
- Volume control valve with 3/8" NPT female outlet on pedal valve
- Wall hook outlet with 3/8" NPT female inlet
- Elevated vacuum breaker with 3/8" female inlet and outlet
- 68" PVC hose with extended spray nozzle
- Material: Polished chrome plated brass body, loose key stops, vacuum breaker, wall hook outlet & extended nozzle, aluminum pedals and reinforced PVC hose.

Product Compliance:

- ASME A112.18.1 / CSA B125.1
- NSF 61 - Section 9
- NSF 372 (Low Lead Content)
- ASSE 1001 (VB)

Warranty: One Year (Limited)

Performance Data:

- Pressure: 20 - 125 psi
- Temperature: 40°F - 140°F
- Flow Rate: 4.09 GPM @ 60 psi



T&S BRASS AND BRONZE WORKS, INC.



• 2 Saddleback Cove • Travelers Rest, SC 29690
 Ph 800-476-4103 • Fax 864-834-3518
 • Simi Valley, CA • Ph 800-423-0150 • www.tsbrass.com

Date: 04/25/15