



# T&S BRASS AND BRONZE WORKS, INC.

2 Saddleback Cove / P.O. Box 1088  
Travelers Rest, SC 29690

Model No.

**B-0675**

Item No.

Travelers Rest, SC: 800-476-4103 • Simi Valley, CA: 800-423-0150 • Fax: 864-834-3518 • www.tsbrass.com

This Space for Architect/Engineer Approval

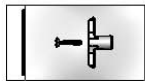
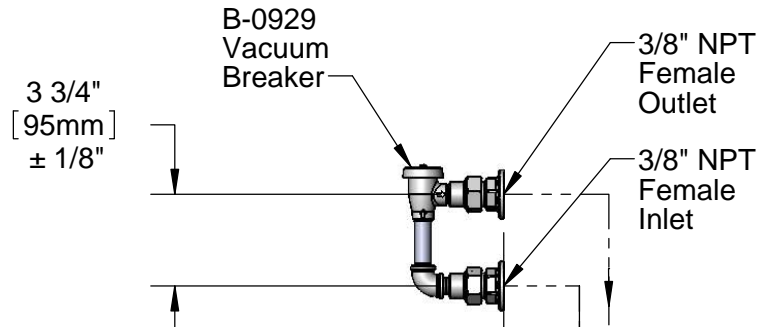
Job Name \_\_\_\_\_ Date \_\_\_\_\_

Model Specified \_\_\_\_\_ Quantity \_\_\_\_\_

Customer/Wholesaler \_\_\_\_\_

Contractor \_\_\_\_\_

Architect/Engineer \_\_\_\_\_

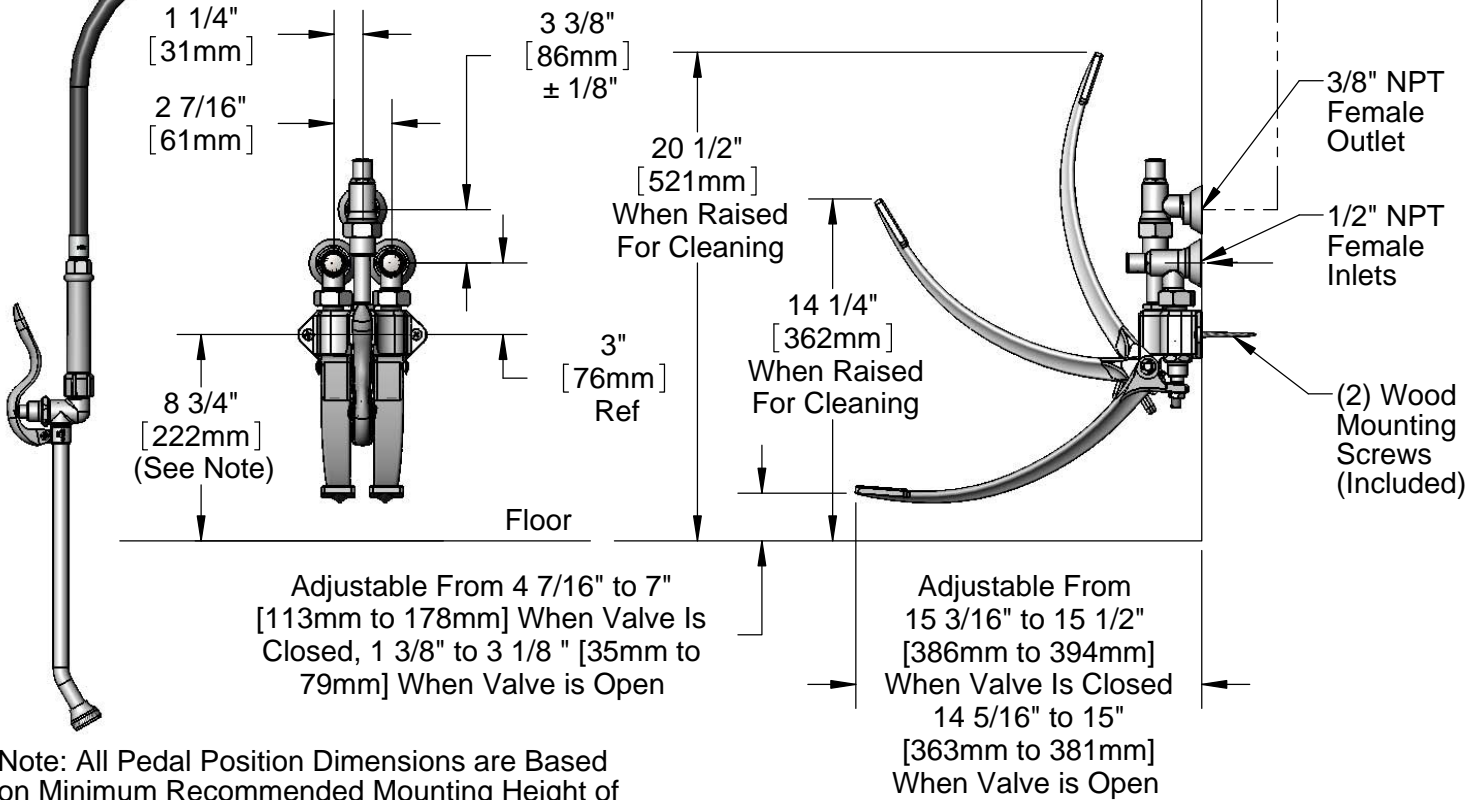


Tee Handle & Mounting Screw (Included)



Hold Down Ring & Washer (Included)

B-0068-R  
68" Reinforced PVC Hose  
& Spray Valve w/ Extended  
Nozzle



Note: All Pedal Position Dimensions are Based on Minimum Recommended Mounting Height of 8 3/4" [222mm] Above Finished Floors.

**Product Specifications:**

Bedpan Washer, Foot Valve Control, Integral Loose Key Stops, Vacuum Breaker & Spray Valve w/ Extended Nozzle

**Product Compliance:**

ASME A112.18.1 / CSA B125.1  
NSF 61 Exempt (Non-Potable)  
ASSE 1001 (VB)



# T&S BRASS AND BRONZE WORKS, INC.

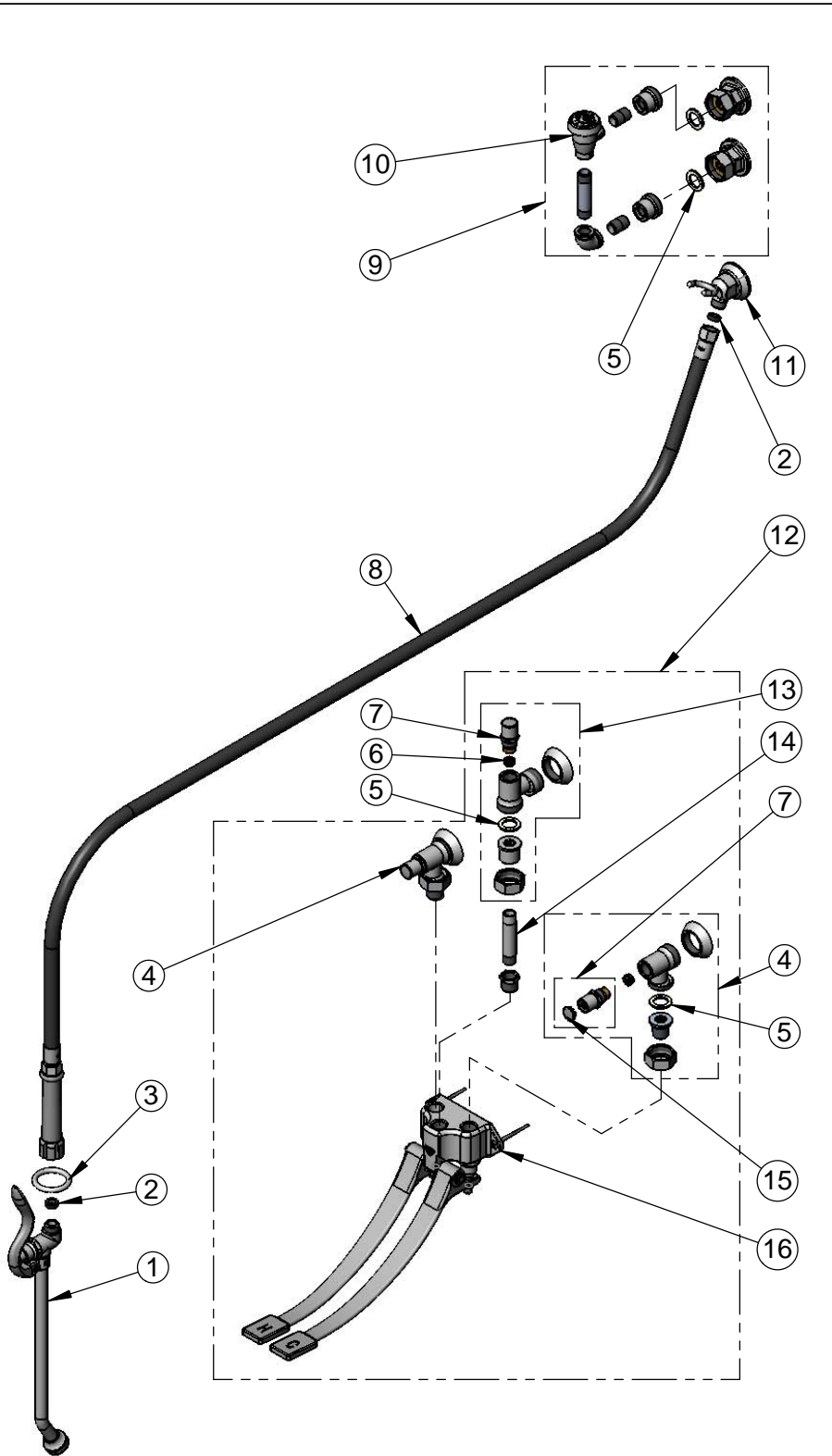
2 Saddleback Cove / P.O. Box 1088  
Travelers Rest, SC 29690

Model No.

**B-0675**

Item No.

Travelers Rest, SC: 800-476-4103 • Simi Valley, CA: 800-423-0150 • Fax: 864-834-3518 • www.tsbrass.com



ITEM NO.	SALES NO.	DESCRIPTION
1	002865-40	Extended Spray Wand
2	010476-45	#27 Washer
3	000907-45	Spray Valve Hold Down Ring
4	B-1350	Loose Key 1/2" NPT Angle Stop w/ Tee Handle & Screw
5	001019-45	Coupling Nut Washer
6	000763-20	Seat
7	166A	Service Stop Spindle w/ Tee Handle & Screw
8	B-0068-R	68" Reinforced PVC Hose
9	B-0929	Atmospheric Vacuum Breaker
10	B-0968	3/8" NPT Vacuum Breaker
11	B-0104	Wall Hook, 3/4-14 UN Male Outlet
12	B-0504-01	Wall Mount Double Pedal Valve w/ Angle Stops
13	B-1355	Loose Key 3/8" NPT Angle Stop w/ Tee Handle & Screw
14	010092-40	Nipple, 3/8" NPT x 4 1/4" Long
15	001605-45	Cap
16	B-0504	Wall Mount Double Pedal Valve



002432-45  
T-Handle Screw



001802-45  
T-Handle

Product Specifications:  
Bedpan Washer, Foot Valve Control, Integral Loose Key Stops, Vacuum Breaker & Spray Valve w/ Extended Nozzle

Product Compliance:  
ASME A112.18.1 / CSA B125.1  
NSF 61 Exempt (Non-Potable)  
ASSE 1001 (VB)



# T&S BRASS AND BRONZE WORKS, INC.

2 Saddleback Cove / P.O. Box 1088  
Travelers Rest, SC 29690

Model No.

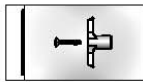
**B-0676**

Item No.

Travelers Rest, SC: 800-476-4103 • Simi Valley, CA: 800-423-0150 • Fax: 864-834-3518 • www.tsbrass.com

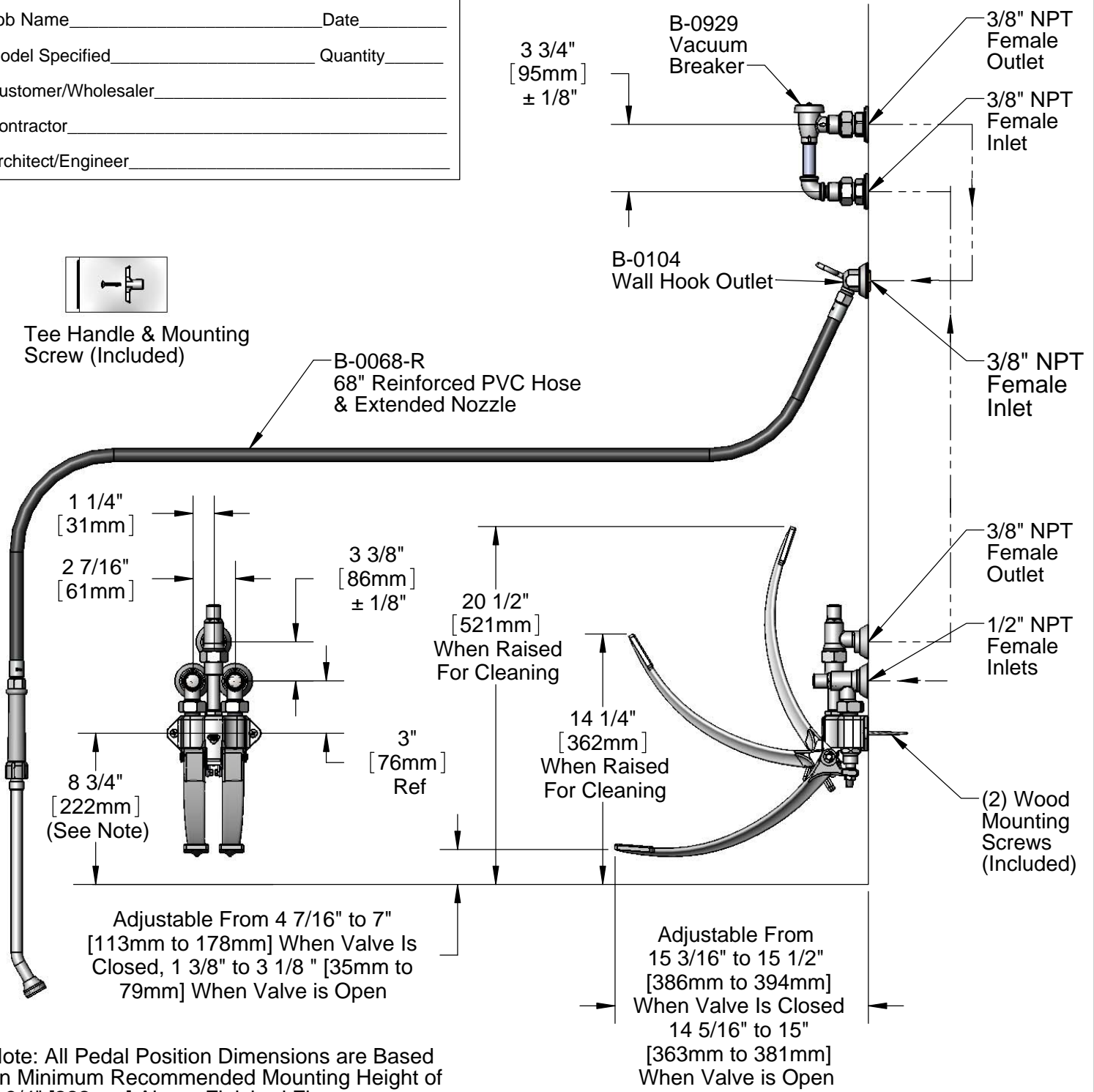
This Space for Architect/Engineer Approval

Job Name \_\_\_\_\_ Date \_\_\_\_\_  
 Model Specified \_\_\_\_\_ Quantity \_\_\_\_\_  
 Customer/Wholesaler \_\_\_\_\_  
 Contractor \_\_\_\_\_  
 Architect/Engineer \_\_\_\_\_



Tee Handle & Mounting Screw (Included)

B-0068-R  
68" Reinforced PVC Hose & Extended Nozzle



Note: All Pedal Position Dimensions are Based on Minimum Recommended Mounting Height of 8 3/4" [222mm] Above Finished Floors.

Product Specifications:  
 Bedpan Washer, Foot Valve Control, Integral Loose Key Stops, Vacuum Breaker & Extended Nozzle

Product Compliance:  
 ASME A112.18.1 / CSA B125.1  
 NSF 61 Exempt (Non-Potable)  
 ASSE 1001 (VB)

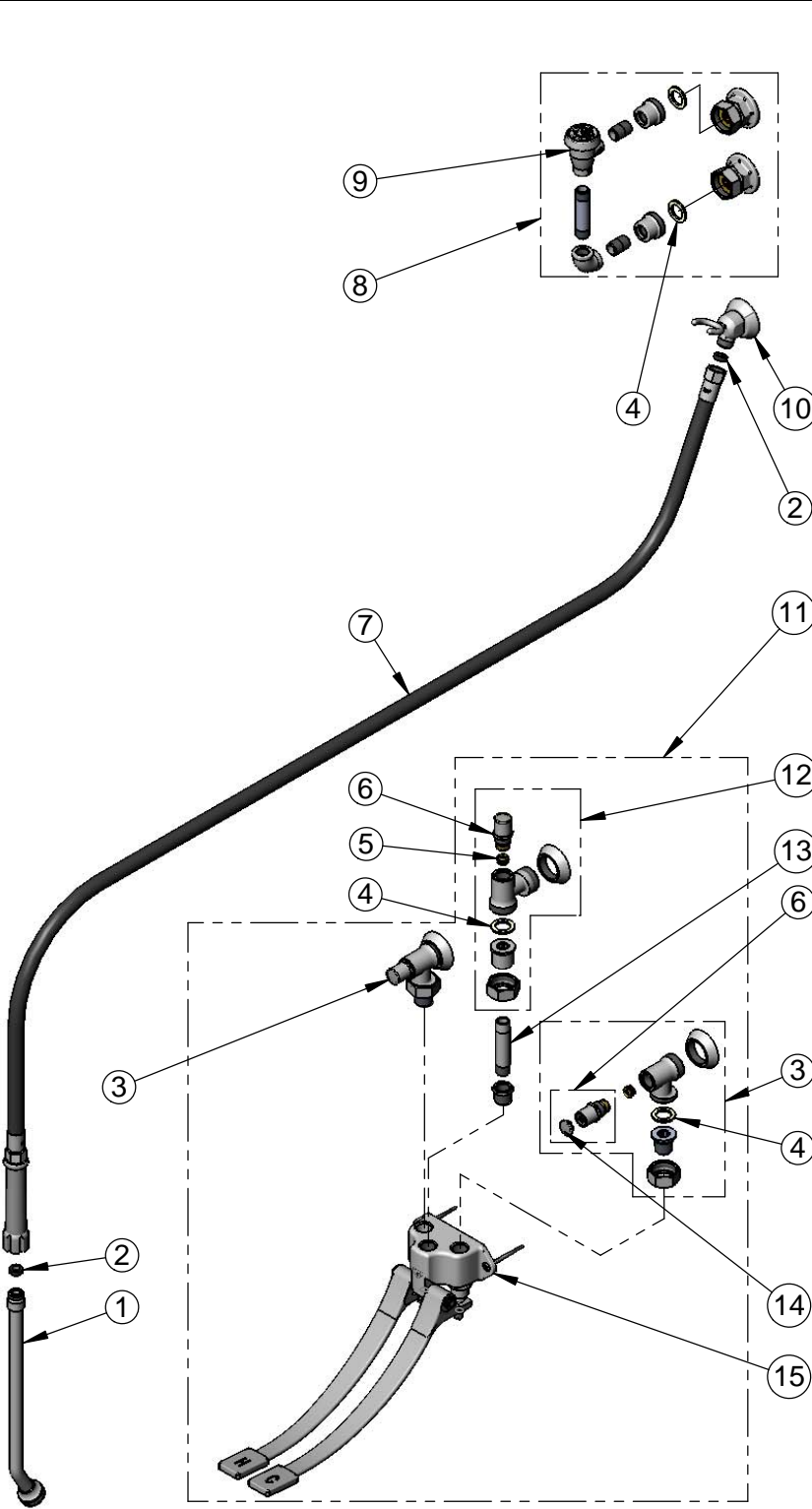


**T&S BRASS AND BRONZE WORKS, INC.**  
 2 Saddleback Cove / P.O. Box 1088  
 Travelers Rest, SC 29690

Model No.  
**B-0676**

Item No.

Travelers Rest, SC: 800-476-4103 • Simi Valley, CA: 800-423-0150 • Fax: 864-834-3518 • www.tsbrass.com



ITEM NO.	SALES NO.	DESCRIPTION
1	002861-40	Bed Pan Spray Nozzle
2	010476-45	#27 Washer
3	B-1350	Loose Key 1/2" NPT Angle Stop w/ Tee Handle
4	001019-45	Coupling Nut Washer
5	000763-20	Seat
6	166A	Service Stop Spindle w/ Tee Handle & Screw
7	B-0068-R	68" Reinforced PVC Hose
8	B-0929	Atmospheric Vacuum Breaker
9	B-0968	3/8" NPT Vacuum Breaker
10	B-0104	Wall Hook, 3/4-14 UN Male Outlet
11	B-0504-01	Wall Mount Double Pedal Valve w/ Angle Stops
12	B-1355	Loose Key 3/8" NPT Angle Stop w/ Tee Handle & Screw
13	010092-40	Nipple, 3/8" NPT x 4 1/4" Long
14	001605-45	Cap
15	B-0504	Wall Mount Double Pedal Valve



Product Specifications:  
 Bedpan Washer, Foot Valve Control, Integral Loose Key Stops, Vacuum Breaker & Extended Nozzle

Product Compliance:  
 ASME A112.18.1 / CSA B125.1  
 NSF 61 Exempt (Non-Potable)  
 ASSE 1001 (VB)



# T&S BRASS AND BRONZE WORKS, INC.

2 Saddleback Cove / P.O. Box 1088  
Travelers Rest, SC 29690

Model No.

**B-0676-54V**

Item No.

Travelers Rest, SC: 800-476-4103 • Simi Valley, CA: 800-423-0150 • Fax: 864-834-3518 • www.tsbrass.com

This Space for Architect/Engineer Approval

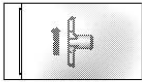
Job Name \_\_\_\_\_ Date \_\_\_\_\_

Model Specified \_\_\_\_\_ Quantity \_\_\_\_\_

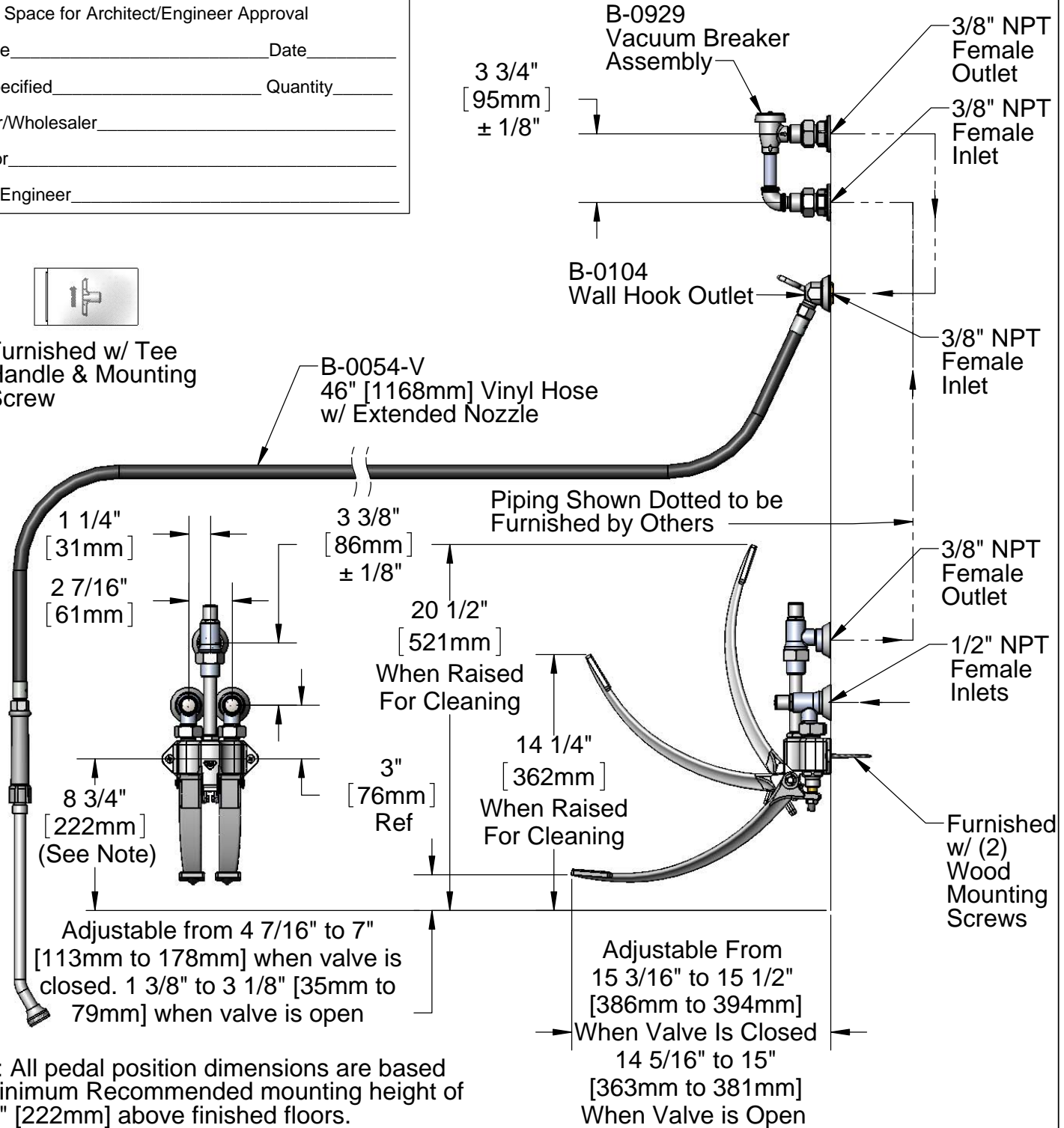
Customer/Wholesaler \_\_\_\_\_

Contractor \_\_\_\_\_

Architect/Engineer \_\_\_\_\_



Furnished w/ Tee Handle & Mounting Screw



Note: All pedal position dimensions are based on Minimum Recommended mounting height of 8 3/4" [222mm] above finished floors.

**Product Specifications:**

Bed Pan Washer w/ Foot Valve Control, Integral Loose Key Stops, Vacuum Breaker & Extended Nozzle w/ Vinyl Hose

Drawn

**KJG**

Checked

**DMH**

Approved

**JHB**

Scale:

**1:8**

Date:

**02/23/12**



**T&S BRASS AND BRONZE WORKS, INC.**

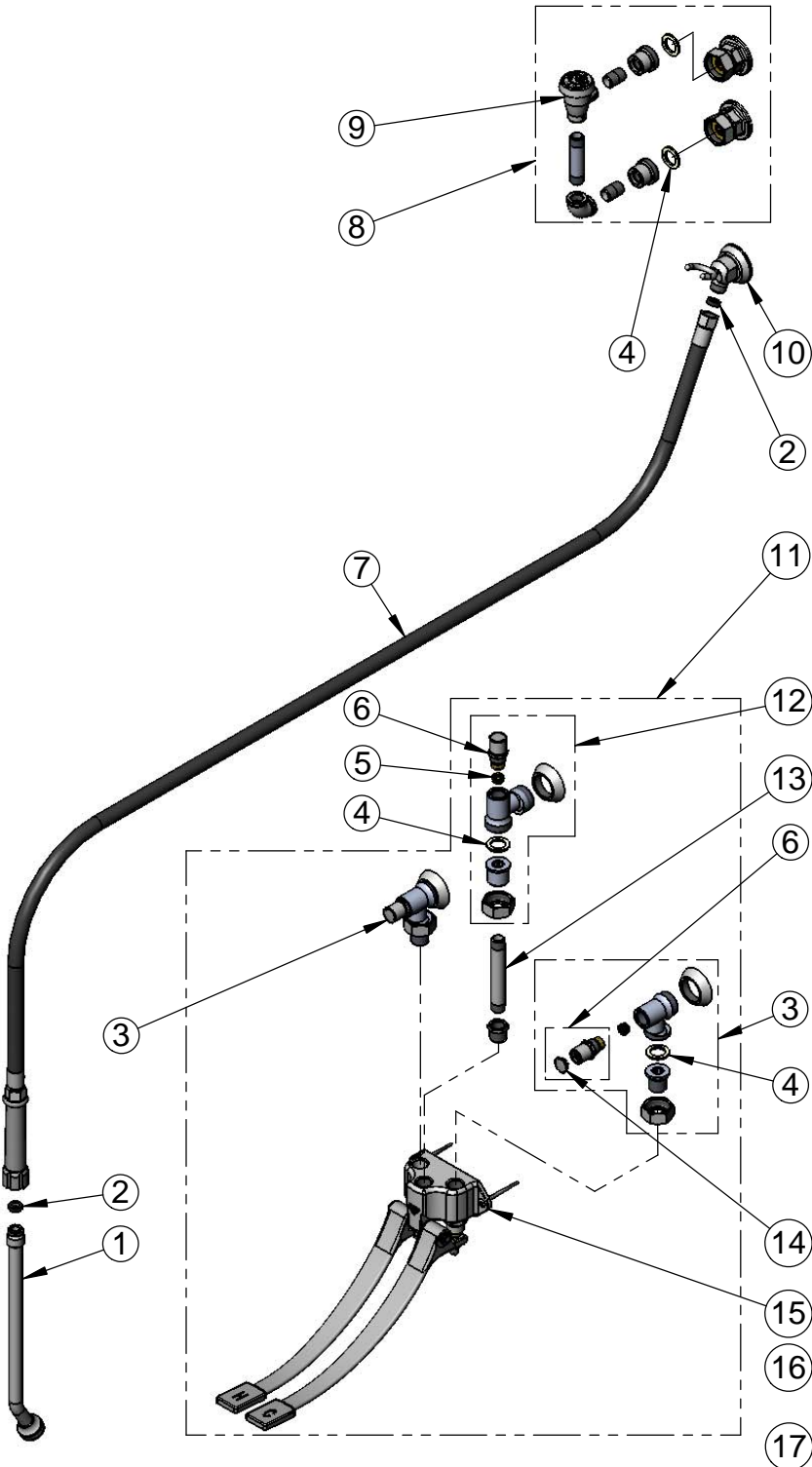
2 Saddleback Cove / P.O. Box 1088  
 Travelers Rest, SC 29690

Model No.

**B-0676-54V**

Item No.

Travelers Rest, SC: 800-476-4103 • Simi Valley, CA: 800-423-0150 • Fax: 864-834-3518 • www.tsbrass.com



ITEM NO.	SALES NO.	DESCRIPTION
1	002861-40	Bed Pan Spray Nozzle Assembly
2	010476-45	#27 Washer
3	B-1350	Loose Key 1/2" NPT Angle Stop Assembly w/ Tee Handle
4	001019-45	Coupling Nut Washer
5	000763-20	Seat
6	166A	Service Stop Spindle Assembly w/ Tee Handle & Screw
7	B-0054-V	54" Vinyl Hose Assembly
8	B-0929	Atmospheric Vacuum Breaker
9	B-0968	3/8" NPT Vacuum Breaker
10	B-0104	3/4-14UN Male Outlet Wall Hook
11	B-0504-01	Wall Mount Double Pedal Valve Assembly w/ Angle Stops
12	B-1355	Loose Key 3/8" NPT Angle Stop Assembly w/ Tee Handle & Screw
13	010092-40	Nipple, 3/8" NPT x 4 1/4" Long
14	001605-45	Cap
15	B-0504	Wall Mount Double Pedal Valve Assembly
16	002432-45	Screw, Tee Handle
17	001802-45	Handle, Supply Stop "T"

Product Specifications:

Bed Pan Washer w/ Foot Valve Control, Integral Loose Key Stops, Vacuum Breaker & Extended Nozzle w/ Vinyl Hose

Drawn <b>KJG</b>	Checked <b>DMH</b>	Approved <b>JHB</b>
Scale: <b>NTS</b>		Date: <b>02/23/12</b>