



#### Limited One Year Warranty

T&S warrants to the original purchaser (other than for purposes of resale) that such product is free from defects in material and workmanship for a period of one (1) year from the date of purchase. During this one-year warranty period, if the product is found to be defective, T&S shall, at its options, repair and/or replace it. To obtain warranty service, products must be returned to...

T&S Brass and Bronze Works, Inc.  
Attn: Warranty Repair Department  
2 Saddleback Cove  
Travelers Rest, SC 29690

Shipping, freight, insurance, and other transportation charges of the product to T&S and the return of repaired or replaced product to the purchaser are the responsibility of the purchaser. Repair and/or replacement shall be made within a reasonable time after receipt by T&S of the returned product. This warranty does not cover items which have received secondary finishing or have been altered or modified after purchase, or for defects caused by physical abuse to or misuse of the product, or shipment of the products.

Any express warranty not provided herein, and any remedy for Breach of Contract which might arise, is hereby excluded and disclaimed. Any implied warranties of merchantability or fitness for a particular purpose are limited to one year in duration. Under no circumstances shall T&S be liable for loss of use or any special consequential costs, expenses or damages.

Some states do not allow limitations on how long an implied warranty lasts or the exclusion or limitation of incidental or consequential damages, so the above limitations or exclusions may not apply to you. Specific rights under this warranty and other rights vary from state to state.

P/N: 098-003116-45 Rev 3  
Date: 11-08-01  
Drawn: TEH  
Checked: DLT 11-27-01  
Approved: MVW 12-11-01

# Installation and Maintenance Instructions



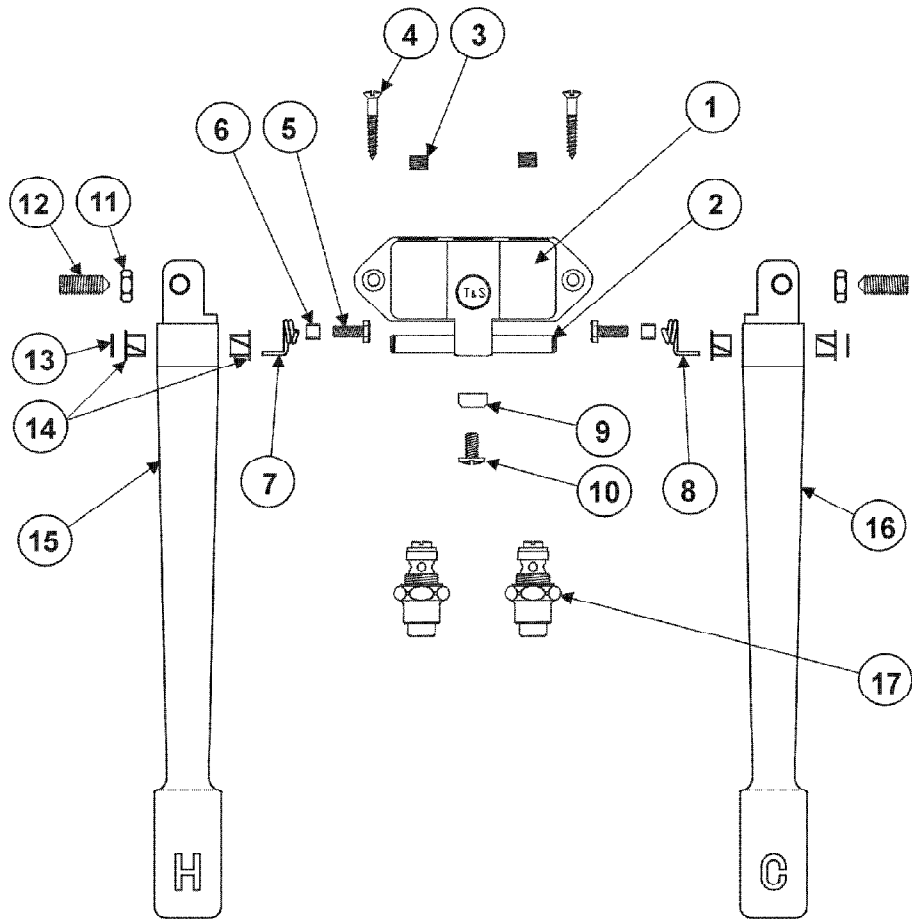
## WALL MOUNTED FOOT PEDAL VALVE B-0504 and B-0508

**Deutsch:** Installations- und  
Wartungsanleitungen

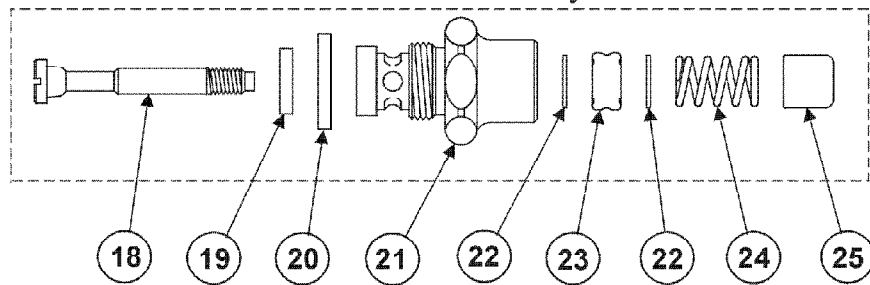
**Español:** la Instalación y las  
Instrucciones de  
Mantenimiento

**Français:** les Instructions  
d'Installation et  
d'Entretien

# Exploded View



## Bonnet Assembly



\* Some items are listed for instructional purposes and may not be sold as separate parts.

# Part Number Guide

## ***Double Pedal Valve Assembly***

|    |                                 |           |
|----|---------------------------------|-----------|
| 1  | Body, Double Pedal              | *         |
| 2  | Shaft                           | *         |
| 3  | Socket Plug                     | *         |
| 4  | Screw, Mounting                 | 003749-45 |
| 5  | Screw, S.S. Pedal Spring Retain | *         |
| 6  | Spacer, Pedal Spring            | *         |
| 7  | Spring, LH Pedal Hot            | 000886-45 |
| 8  | Spring, RH Pedal Cold           | 000887-45 |
| 9  | Pad, Nylon                      | *         |
| 10 | Screw, Nylon Pad                | 012523-45 |
| 11 | Nut, Adjustable Screw Lock      | 000952-45 |
| 12 | Set Screw, Adjustable           | 001123-45 |
| 13 | Snap-Ring, Shaft                | 012512-45 |
| 14 | Bushing                         | 001602-45 |
| 15 | Foot Pedal, L.H. Hot            | *         |
| 16 | Foot Pedal, R.H. Cold           | *         |
| 17 | Asm, Bonnet                     | 005312-40 |

## ***Bonnet Assembly - 005312-40***

|    |                        |           |
|----|------------------------|-----------|
| 18 | Stem, Valve            | 009306-20 |
| 19 | Seat Washer            | 012915-45 |
| 20 | Washer, Bonnet Binding | *         |
| 21 | Bonnet                 | 000608-25 |
| 22 | Washer                 | 000974-45 |
| 23 | Packing Stem           | 001100-45 |
| 24 | Spring                 | 003690-45 |
| 25 | Pushbutton             | 000753-25 |

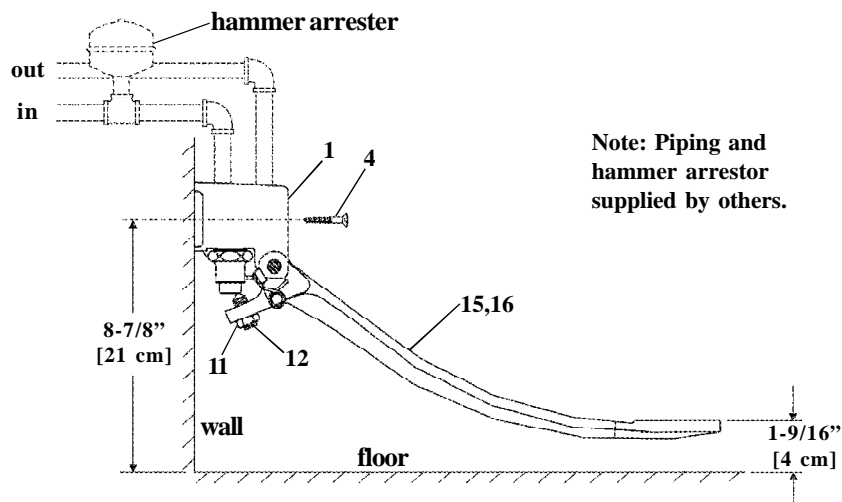
Note: Items 18-20 and 22-24 are included in the B-50-P parts kit.  
Each item with a quantity of 4.

# General Instructions

## **Installation:**

1. Shut off water supply and drain lines.
2. Mount no.1 assembly to wall with two no.4's, no more than 8-7/8" [21 cm] from floor to center of mounting holes. (See illustration.)

Note: It is strongly recommended that each supply line be equipped with a hammer arrester installed per manufacturer's instructions. A typical installation is shown:



3. No.15 and no.16 can be raised to desired height by adjusting no.12 with a screwdriver.

**Note: Approximate height of no.15 and no.16 should be 1-9/16" [4 cm] from floor.**

4. Apply Teflon Tape or pipe joint compound to threads of supply lines. Install two (2) inlets (hot and cold sides) and one (1) outlet. Connect supply lines with 1/2" NPT piping.
5. Turn on water and check for leaks.

**Note: To order replacement parts for the bonnet assembly, order the B-50-P parts kit. (For repair of no.17)**

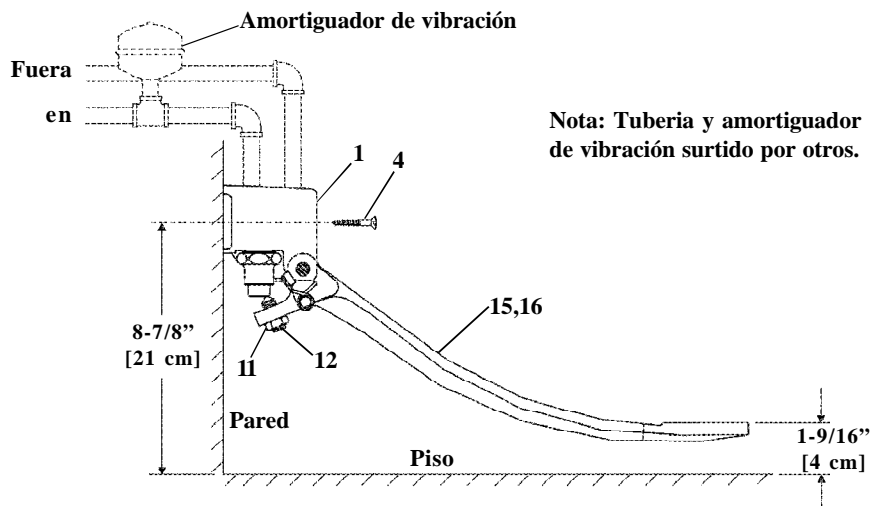
**Most pedal valve installations will be similar, except B-0508 Single Pedal Valve has (1) one 1/2" NPT female inlet, and (1) one 1/2" NPT female outlet.**

# Instrucciones Generales

## **Instalación:**

1. Cierre el surtido de agua y desagüe las tuberías.
2. Monte el ensamble No.1 a la pared con dos partes No.4, a una distancia de no más de 8-7/8" [21 cm] de el piso hasta el centro de los huecos de montadura. (Vea la ilustración)

Nota: Es altamente recomendado que cada línea de surtido sea equipada con amortiguador de vibración. Una instalación típica esta demostrada:



3. Las partes No.15 y No.16 se pueden levantar a una altura deseable ajustando la parte No.12 con un destornillador.

**Nota: La altura aproximada de las partes No.15 y No.16 debe ser 1-9/16" [4 cm] de el piso.**

4. Aplique cinta de Teflon ó compuesto de coyuntura a las roscas de las líneas de surtido. Instale (2) dos entradas (lados caliente y frío) y uno (1) de salida. Conecte las líneas de surtido con tubería de 1/2" NPT.
5. Abra el agua e inspeccione por filtraciones.

**Nota: Para ordenar repuestos del ensamble de la cubierta, ordene el estuche de partes B-50-P. (Para el reparo de la parte No.17.)**

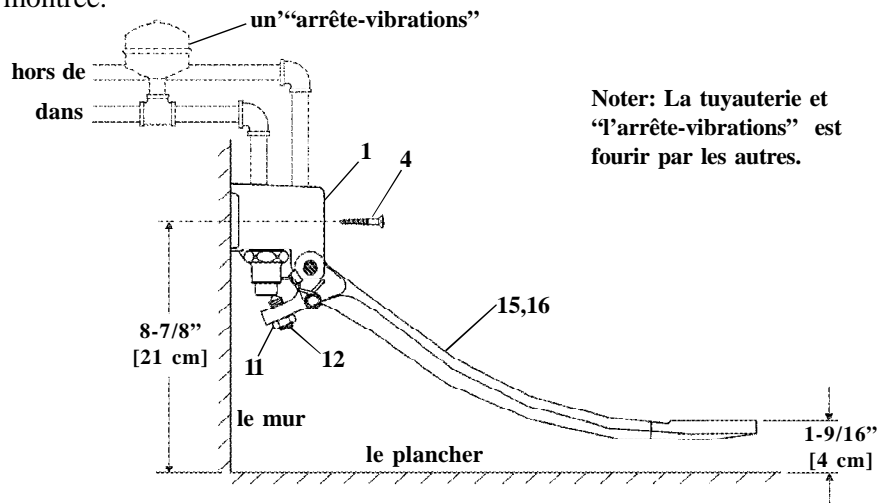
**La instalación de la mayoría de las válvulas de pedal serán semejantes, excepto B-0508 válvula de pedal singular tiene (1) una entrada femenina de 1/2" NPT y (1) una salida femenina de 1/2" NPT.**

# Instructions Générales

## L'Installation:

1. Fermer la réserve de l'eau et égoutter la tuyauterie.
2. Monter l'assemblage N°.1 au mur avec deux N°.4's, pas plus de 21cm du plancher au centre des trous montants. (Voir l'illustration).

Noter: On lui recommande vivement que chaque canalisation d'alimentation devrait être équipée d'un "arrête-vibrations". Une installation typique est montrée.



3. On peut lever N°.15 et N°.16 à la hauteur désirée en réglant N°.12 avec un tournevis.

**Noter :** La hauteur approximative de N°.15 et N°.16 doit être 4 cm du plancher.

4. Appliquer le ruban en Téflon ou le composé pour les tuyaux aux filets des tuyaux qui fournissent l'eau. Installer deux (2) arrivées (les côtés chauds et froids) et une (1) sortie. Brancher les tuyaux qui fournissent l'eau avec la tuyauterie 1/2" NPT.

5. Recommencer l'eau et vérifier s'il y a des fuites.

**Noter:** Pour commander les parties remplacements pour l'assemblage du capot, commander la trousse B-50-P (pour réparer N°.17).

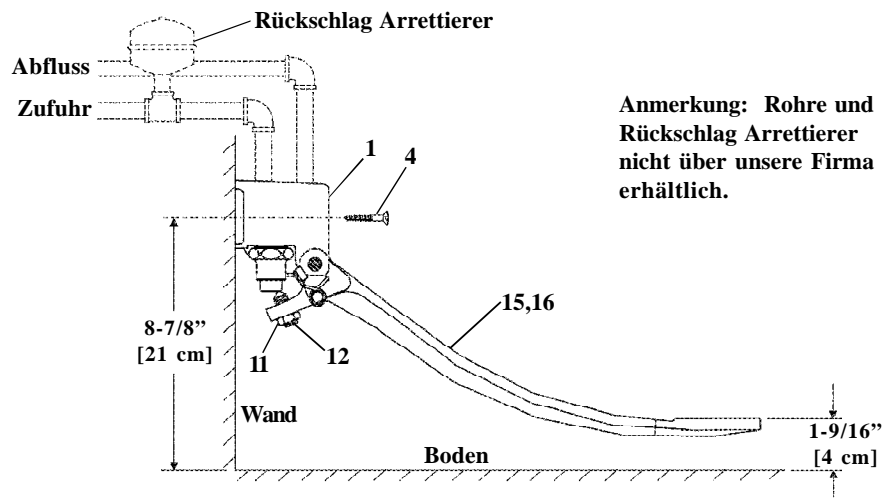
**La plupart des installations des soupapes pédales aller être semblable, sauf la soupape pédale B-508 qui avoir (1) une arrivée féminine 1/2" NPT et (1) une sortie féminine 1/2" NPT.**

# Allgemeine Anleitungen

## Installation:

1. Wasserzulauf absperrn und Leitungen entleeren.
2. Garnitur Nr. 1 mit zwei Schrauben Nr. 4 nicht höher als 21 cm vom Fußboden bis zur Mitte der Montagelöcher anbringen (siehe Abbildung).

Achtung: Es empfiehlt sich in jeder Wasserleitung einen Rückschlag Arretierer einzubauen. Typisch erfolgt der Einbau wie abgebildet:



3. Nr. 15 und Nr. 16 können auf die gewünschte Höhe angehoben werden, indem Nr. 12 mit einem Schraubendreher justiert wird.

**Anmerkung: Nr. 15 und Nr. 16 sollten ungefähr 4 cm vom Fußboden entfernt sein.**

4. Teflonband oder Rohrdichtungsmasse auf das Gewinde der Zuflußleitungen auftragen. Zwei Zulaufrohre (warm und kalt) und ein Auslaufrohr installieren. Die Zuflußrohre mit 1,25 cm NPT-Rohren verbinden.
5. Wasserzulauf andrehen und auf Dichtigkeit prüfen.

**Anmerkung: Ersatzteile für die Haubengarnitur sind in dem Ersatzteilsatz B-50-P enthalten (für die Reparatur von Nr. 17).**

**(Die meisten Pedalventilanlagen sind ähnlich mit der Ausnahme, daß das Pedalventil von B-0508 einen 1,25 cm NPT-Zulauf mit Innengewinde und einen 1,25 cm NPT-Auslauf mit Innengewinde hat.**

**RELATED T&S BRASS PRODUCT LINE**



**B-0507  
SINGLE PEDAL VALVE,  
FLOOR MOUNTED**

---

**T&S BRASS AND BRONZE WORKS, INC.**

A firm commitment to application-engineered plumbing products

2 Saddleback Cove, P.O. Box 1088,  
Travelers Rest, SC 29690

Phone: (864) 834-4102

Fax: (864) 834-3518

E-mail: [tsbrass@tsbrass.com](mailto:tsbrass@tsbrass.com)

T & S Brass-Europe  
'De Veenhoeve'  
Oude Nieuwveenseweg 84  
2441 CW Nieuwveen  
The Netherlands



**RELIABILITY BUILT IN™**





Limited One Year Warranty  
T&S warrants to the original purchaser (other than for purposes of resale) that such product is free from defects in material and workmanship for a period of one (1) year from the date of purchase. During this one-year warranty period, if the product is found to be defective, T&S shall, at its options, repair and/or replace it. To obtain warranty service, products must be returned to...

T&S Brass and Bronze Works, Inc.  
Attn: Warranty Repair Department  
2 Saddleback Cove  
Travelers Rest, SC 29690

Shipping, freight, insurance, and other transportation charges of the product to T&S and the return of repaired or replaced product to the purchaser are the responsibility of the purchaser. Repair and/or replacement shall be made within a reasonable time after receipt by T&S of the returned product. This warranty does not cover items which have received secondary finishing or have been altered or modified after purchase, or for defects caused by physical abuse to or misuse of the product, or shipment of the products.

Any express warranty not provided herein, and any remedy for Breach of Contract which might arise, is hereby excluded and disclaimed. Any implied warranties of merchantability or fitness for a particular purpose are limited to one year in duration. Under no circumstances shall T&S be liable for loss of use or any special consequential costs, expenses or damages.

Some states do not allow limitations on how long and implied warranty lasts or the exclusion or limitation of incidental or consequential damages, so the above limitations or exclusions may not apply to you. Specific rights under this warranty and other rights vary from state to state.

P/N: 098-012368-45  
Date: 990520  
Drawn: CW  
Checked: MAB 8-10-99  
Approved: MVW 8-6-99

# Installation and Maintenance Instructions



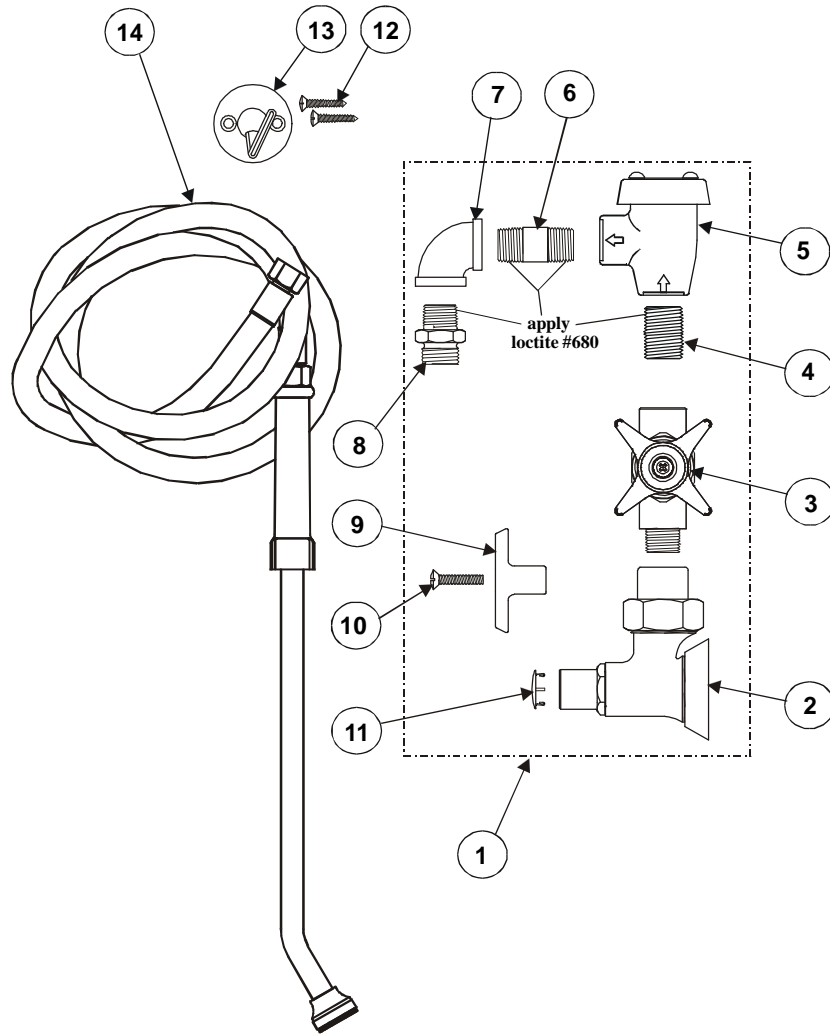
## Bed Pan Washer B-0679 (shown B-0678)

**Deutsch: Installations- und  
Wartungsanleitungen**

**Español: la Instalación y las  
Instrucciones de  
Mantenimiento**

**Français: les Instructions  
d'Installation et  
d'Entretien**

# Exploded View



\* Some items are listed for instructional purposes and may not be sold as separate parts.

## Part Number Guide

### ***Bedpan Washer Assembly***

|    |                              |           |
|----|------------------------------|-----------|
| 1  | Asm, Commercial Faucet w/ VB | B0678     |
| 2  | Asm, Loose Key Ngl Stop      | *         |
| 3  | Asm, Straight Stop (Lav)     | *         |
| 4  | Nipple, Close 3/8 NPT        | 002535-25 |
| 5  | Asm, Vacuum Breaker 3/8      | 005256-40 |
| 6  | Nipple, 3/8 x 1-1/2          | *         |
| 7  | Elbow, Cast Round 3/8        | 001355-40 |
| 8  | Adapter, 3/8 MA x 3/4-14 MA  | 000545-25 |
| 9  | T' Handle for Supply Stops   | 001802-45 |
| 10 | Screw, Loose Key Stop        | 002432-45 |
| 11 | Cap, Key Stop                | 001605-45 |
| 12 | Screw, Wall Hook             | 000915-45 |
| 13 | Dummy Wall Hook              | B-104D    |
| 14 | Asm, Spray Nozzle & Hose     | B-0691    |

# General Instructions

## **Faucet Installation:**

1. Shut off water supply and drain lines. Drill a 7/8" [2.2 cm] hole in wall or backsplash of sink where you are installing no.1.

Apply teflon tape or pipe joint compound to threads of water supply lines.

2. Attach no.2 to supply lines flush against wall. Tighten by hand. ***Trim supply lines if necessary.***

***Note: If you are repairing or replacing parts use these instructions:***

1. Apply Loctite #680 to threads of no.3, no.4, no.6, and no.8.

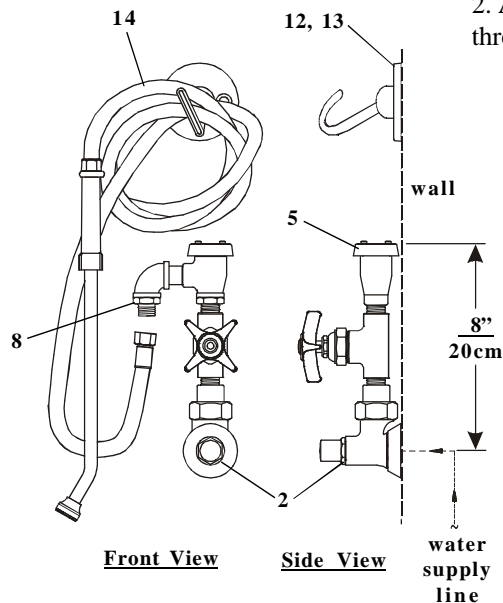
2. Insert and thread no.3 into no.2. Thread one end of no.4 into no.3, the other end into no.5, follow the same procedure for no.6. ***Remember to apply Loctite on each end of no.4 and no.6,*** then rotate no.5 until tight and facing side of sink.

3. Turn on water supply and check for leaks.

## **Mounting Hose Hook:**

1. Position no.13 against wall. Mark holes and secure no.13 to wall using no.12.

2. Attach no.14 (hose end) to threads of no.8.



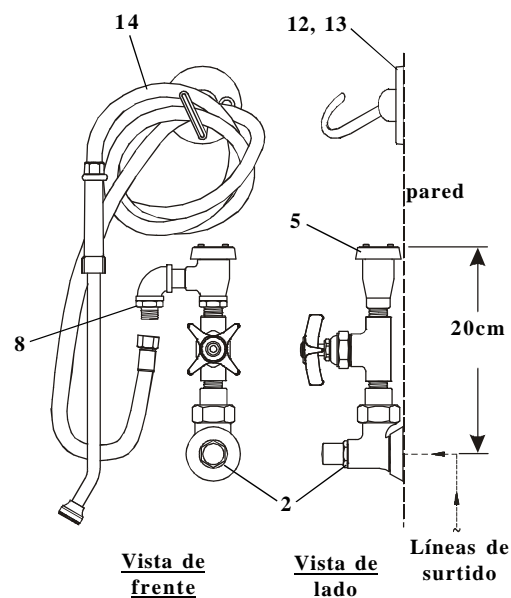
# Instrucciones Generales

## **Instalación de la Canilla:**

1. Cierre la fuente de agua y desagüe las tuberías. Perfore un hueco de 7/8" [2.2 cm] en la pared o el espaldar del lavatorio donde será instalada la parte No.1. Aplique cinta de Teflon o compuesto de coyuntura a las roscas de las líneas de surtido.
2. Junte la parte No.2 a la tubería de surtido arras contra la pared. Apriete a mano. ***Si es necesario recorte las líneas de surtido.***

***Nota: Utilice las siguientes instrucciones si esta reparando o reemplazando partes:***

1. Aplique Loctite #680 a las roscas de las partes No.3, No.4, No.6 y No.8.
2. Inserte y enrosque la parte No.3 dentro de la parte No.2. Enrosque un extremo de la parte No.4 dentro de la parte No.3, el otro extremo dentro de la parte No.5, continúe el mismo procedimiento para la parte No.6. ***Recuerde aplicar Loctite a ambos extremos de la partes No.4 y No.6,*** luego gire la parte No.5 hasta que quede apretada y orientada hacia el lado del lavatorio.
3. Abra la fuente de agua e inspeccione por filtraciones.



## **Montadura De Gancho Para Manguera:**

1. Coloque la parte No.13 contra la pared. Indique los huecos y asegure la parte No.13 a la pared utilizando las partes No.12.
2. Junte la parte No.14 (extremo con manguera) a las roscas de la parte No.8.

# Instructions Générales

## **L'Installation Du Robinet:**

1. Fermer la réserve de l'eau et égoutter la tuyauterie. Percer un trou avec un diamètre de 2.2 cm. dans le mur ou le garde-boue de l'évier où vous aller installer N°1.

Appliquer le ruban en Téflon ou le composé pour les tuyaux aux filets des tuyaux qui fournir l'eau.

2. Attacher N°2 aux filets des tuyaux qui fournir l'eau de niveau avec le mur. Resserrer par le main. *Couper un peu les tuyaux qui fournir l'eau si nécessaire.*

**Noter: Si vous réparer ou remplacer les parties utiliser ces instructions:**

1. Appliquer Loctite #680 aux filets de N°3, N°4, N°6, et N°8.

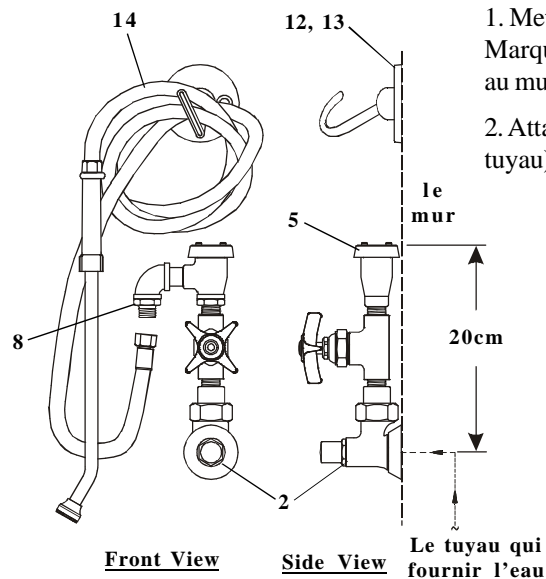
2. Insérer N°3 dans N°2. Insérer un extrémité de N°4 dans N°3, l'autre extrémité dans no.5, suivre le même processus pour N°6. ***N'oublier pas d'appliquer Loctite sur chaque extrémité de N°4 and N°6,*** puis tourner hen rotate N°5 jusqu'il être bien serrer et vers le côté de l'évier.

3. Recommencer l'eau et vérifier s'il y a des fuites

## **Poue Monter L'Agrafe Du Tuyau:**

1. Mettre N°13 contre le mur. Marquer les trous et attacher N°13 au mur en utilisant N°12.

2. Attacher N°14 (l'extrémité du tuyau) aux filets de N°8.



# Allgemeine Anleitungen

## Installation des Hahnes:

1. Wasserzufuhr abstellen und Rohre leerlaufen lassen. Zwei Löcher mit einem Durchmesser von 2.2 cm in die Wand oder den Spritzschutz des Beckens bohren, an der Nr. 1 installiert wird.

*Teflonband oder Rohrkitt zum Gewinde der Wasserzufuhrleitung auftragen.*

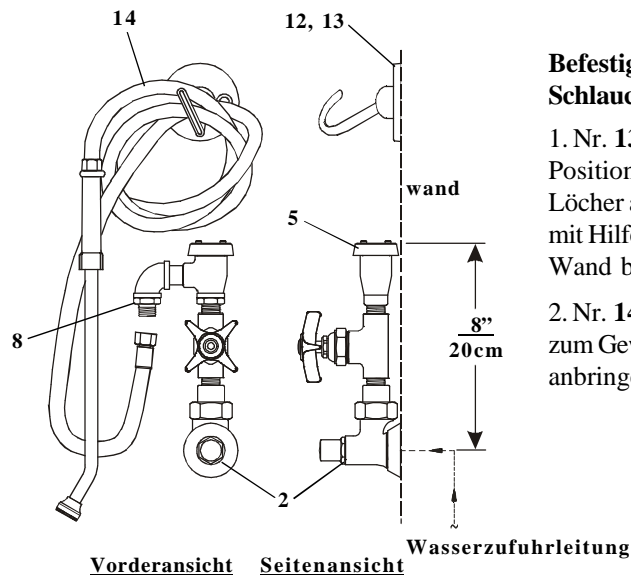
2. Befestigen Sie Nr. 2 zur Zufuhrleitung, sodaß diese fest an der Wand ansitzt. Von Hand festziehen. **Falls nötig Wasserzufuhrleitungen entsprechend kürzen.**

## **Hinweis: Beachten Sie die folgenden Hinweise, falls Sie Teile des Wasserhahnes reparieren oder ersetzen:**

1. Loctite #680 auf die Gewinde von Nr. 3, Nr. 4, Nr. 6 und Nr. 8 auftragen.

2. Nr. 3 in Nr. 2 einführen und aufschrauben. Schrauben Sie ein Ende der Nr. 4 in Nr. 3 ein, und das andere Ende in Nr. 5. Folgen Sie derselben Prozedur für Nr. 6. **Vergessen Sie nicht Loctite an beide Enden der Nr. 4 und Nr. 6 aufzutragen,** dann Nr. 5 andrehen, bis dieses fest ist, und zur Vorderseite des Beckens zeigt.

3. Wasserzufuhr andrehen und auf Dichtheit prüfen.



## **Befestigung des Schlauchhakens:**

1. Nr. 13 in die gewünschte Position an die Wand halten. Löcher anzeichnen und Nr. 13 mit Hilfe von Nr. 12 an der Wand befestigen.

2. Nr. 14 (das Schlauchende) zum Gewinde von Nr. 8 anbringen.

**RELATED T&S BRASS PRODUCT LINE**



**B-0687  
Bedpan Washer  
w/ Single Pedal Valve**



**B-0677  
Bedpan Washer  
w/ Double Pedal Valve**

---

**T&S BRASS AND BRONZE WORKS, INC.**

A firm commitment to application-engineered plumbing products

2 Saddleback Cove, P.O. Box 1088,  
Travelers Rest, SC 29690

Phone: (864) 834-4102

Fax: (864) 834-3518

E-mail: [tsbrass@tsbrass.com](mailto:tsbrass@tsbrass.com)

T & S Brass-Europe

'De Veenhoeve'

Oude Nieuwveenseweg 84

2441 CW Nieuwveen

The Netherlands







#### Limited One Year Warranty

T&S warrants to the original purchaser (other than for purposes of resale) that such product is free from defects in material and workmanship for a period of one (1) year from the date of purchase. During this one-year warranty period, if the product is found to be defective, T&S shall, at its options, repair and/or replace it. To obtain warranty service, products must be returned to...

*T&S Brass and Bronze Works, Inc.  
Attn: Warranty Repair Department  
2 Saddleback Cove  
Travelers Rest, SC 29690*

Shipping, freight, insurance, and other transportation charges of the product to T&S and the return of repaired or replaced product to the purchaser are the responsibility of the purchaser. Repair and/or replacement shall be made within a reasonable time after receipt by T&S of the returned product. This warranty does not cover items which have received secondary finishing or have been altered or modified after purchase, or for defects caused by physical abuse to or misuse of the product, or shipment of the products.

Any express warranty not provided herein, and any remedy for Breach of Contract which might arise, is hereby excluded and disclaimed. Any implied warranties of merchantability or fitness for a particular purpose are limited to one year in duration. Under no circumstances shall T&S be liable for loss of use or any special consequential costs, expenses or damages.

Some states do not allow limitations on how long and implied warranty lasts or the exclusion or limitation of incidental or consequential damages, so the above limitations or exclusions may not apply to you. Specific rights under this warranty and other rights vary from state to state.

P/N: 098-009549-45 Rev.6  
Date: 01-08-08  
Drawn: TEH  
Checked: GEF 01-08-08  
Approved: JHB 01-08-08

# Installation and Maintenance Instructions



## ATMOSPHERIC VACUUM BREAKERS

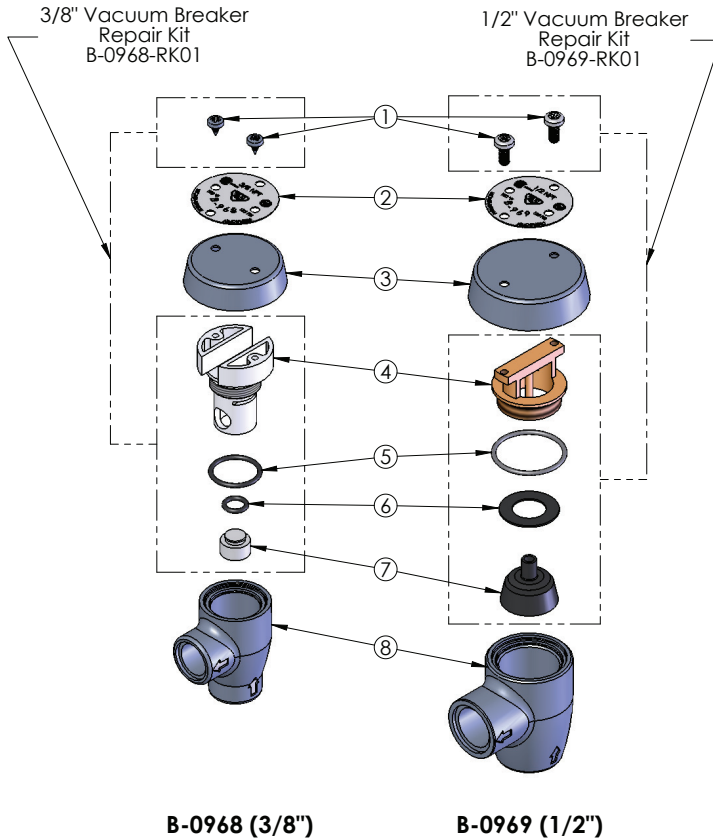
**B-0968 & B-0968-RK01 (3/8")**  
**B-0969 & B-0969-RK01 (1/2")**

**Deutsch: Installations- und  
Wartungsanleitungen**

**Español: la Instalación y las In-  
strucciones de Man-  
tenimiento**

**Français: les Instructions  
d'Installation et  
d'Entretien**

# Exploded View



\* Some items are listed for instructional purposes and may not be sold as separate parts.

# Part Number Guide

## ***B-0968 Vacuum Breaker Assemblies & Kit***

|   |                           |   |
|---|---------------------------|---|
| 1 | (*) Screws                | * |
| 2 | Nameplate                 | * |
| 3 | Coverplate                | * |
| 4 | (*) Insert                | * |
| 5 | (*) Large O-Ring          | * |
| 6 | (*) Small O-Ring          | * |
| 7 | (*) Piston                | * |
| 8 | Body, Vacuum Breaker 3/8" | * |

(\*) Indicates those items that are included in the **B-0968-RK01** Vacuum Breaker Repair Kit

## ***B-0969 Vacuum Breaker Assemblies & Kit***

|   |                           |   |
|---|---------------------------|---|
| 1 | (*) Screws                | * |
| 2 | Nameplate                 | * |
| 3 | Coverplate                | * |
| 4 | (*) Insert                | * |
| 5 | (*) O-Ring                | * |
| 6 | (*) Sealing Disk          | * |
| 7 | (*) Piston                | * |
| 8 | Body, Vacuum Breaker 1/2" | * |

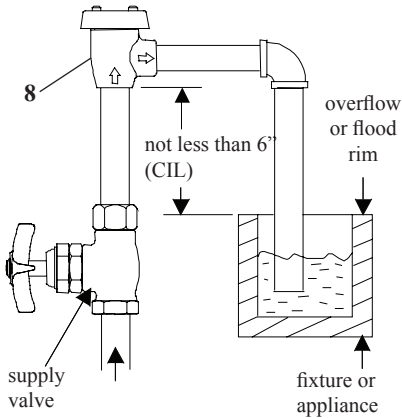
(\*) Indicates those items that are included in the **B-0969-RK01** Vacuum Breaker Repair Kit

# General Instructions

## Typical Installation:

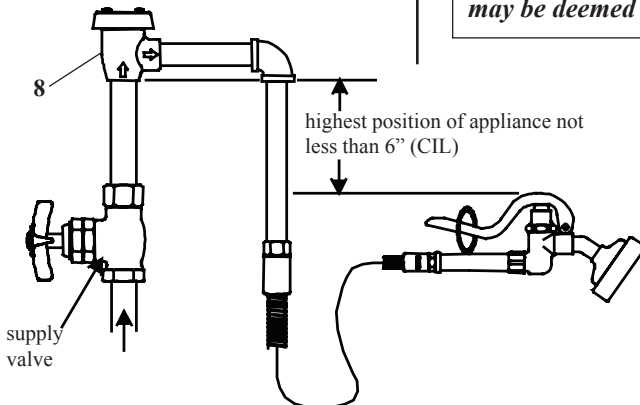
### Single Vacuum Breaker

1. Vacuum breaker must be installed with the supply connected to the bottom and the outlet connected to the appliance, as shown below:



2. The bottom of the no.8 should be at least 6" above the flood rim of the fixture or appliance.

3. When using a portable appliance, no.8 should be installed at least 6" above the highest point to which the outlet can be raised, as shown:



*Note: Where the device is a separate unit, in the absence of a Critical Installation Level (CIL) mark, the extreme bottom of the no.8 casting should be used to determine its installed position. Where the device is incorporated in an outlet tube furnished by the manufacturer, the extreme bottom of the internal unit should be noted on the outside of the tube by a CIL line, for use in determining its installed position.*

4. The water supply valve must be installed on the supply side (ahead) of the vacuum breaker, and no shut-off valve should be installed on the outlet side (downstream).

5. The vacuum breaker should not be subjected to continuous pressure for more than twelve (12) hours.

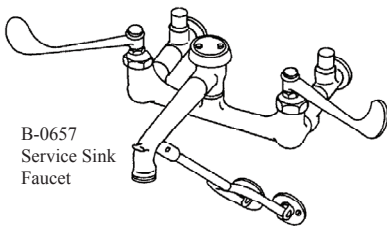
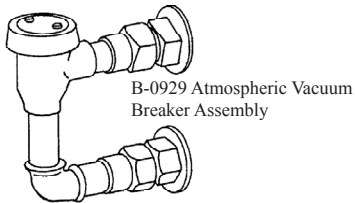
*Note: This device should not be installed in a concealed or inaccessible location, nor where the venting water from the device during its normal functioning may be deemed objectionable.*

# General Instructions

## Typical Installation:

Follow the instructions in the Single Vacuum Breaker section, step 1 thru step 5.

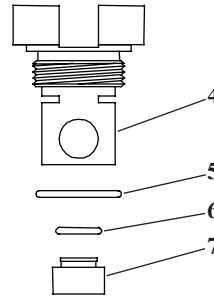
Two typical T&S unit installations will look as follows:



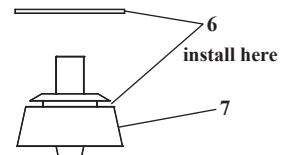
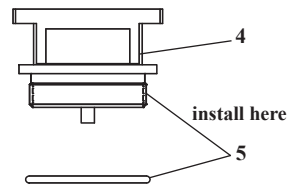
## Repair Kit:

1. For replacement parts, reorder complete unit, or replace internal parts with a Vacuum Breaker repair kit.
2. (See exploded view on sheet 2) Remove the two no.1 from top of no.2, and lift off no.2 and no.3.
3. Unscrew and remove no.4, no.5, no.6 and no.7 from inside no.8.
4. Replace parts with new parts from kit.

B-0968-RK01 (Kit)  
3/8" Vacuum Breaker



B-0969-RK01 (Kit)  
1/2" Vacuum Breaker



5. Reassemble in reverse order.

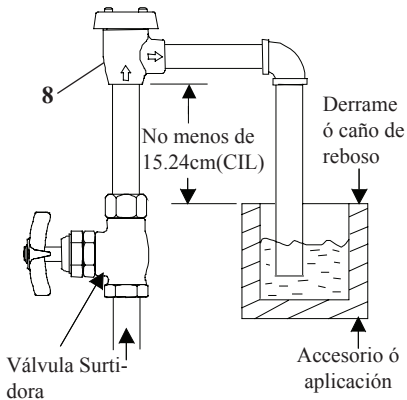
**Note: Make sure surface inside the body is clean, and then tighten no.4 until it is firmly seated against the inside shoulder of no.8.**

# Instruccione Generales

## Instalación Típica:

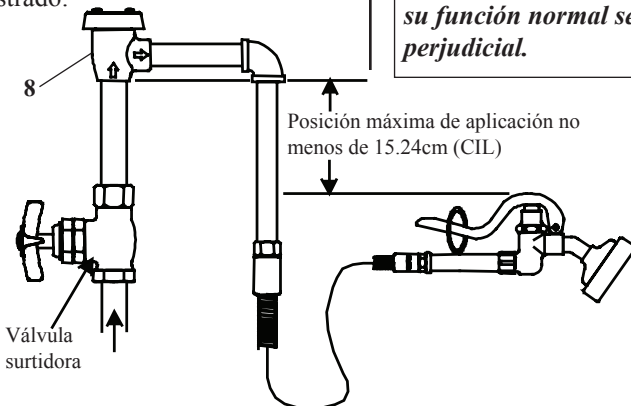
### Anti-sifón singular

1. La válvula anti-sifón tiene que ser instalada, con la fuente surtidora en la parte posterior y la salida conectada a la aplicación, como se muestra abajo:



2. El lado posterior de la parte No.8 debe ser por lo mínimo 15.24cm sobre el caño de reboso del accesorio ó aplicación.

3. Cuando esta utilizando una aplicación portable, No.8 debe ser instalada por lo mínimo 15.24cm sobre el punto más alto en que se pueda levantar la salida, como esta demostrado:



*Nota: Donde el aparato sea una unidad separada, en la ausencia de la marca (CIL) que significa nivel crítico de instalación, el lado extremo posterior de la parte No.8 debe ser utilizado para determinar la posición de instalación. Donde el aparato sea incorporado en un tubo de salida surtido por la factoría, el lado extremo posterior de la unidad interna debe ser señalada en la parte de afuera del tubo por una línea de CIL, para uso en determinar su posición de instalación.*

4. La válvula de surtido tiene que estar instalada en el lado del surtido (adelante) de la válvula anti-sifón y ninguna válvula de detención debe ser instalada en el lado de salida (abajo de la corriente).

5. La válvula anti-sifón no debe ser sometida a presión continua por más de doce (12) horas.

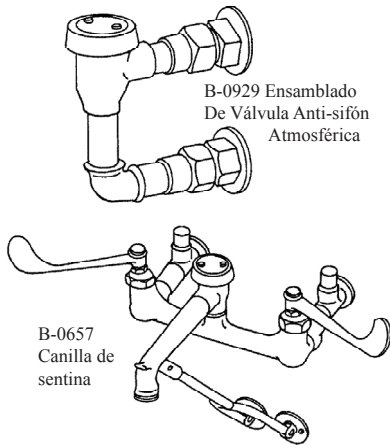
*Nota: Este aparato no debe ser instalado en un sitio escondido o inaccesible, tampoco donde la salida de agua del aparato durante su función normal sea juzgado perjudicial.*

# Instruccione Generales

## Instalación Típica:

Siga las instrucciones en la sección de anti-sifón singular, los pasos del 1 al 5.

Dos instalaciones de unidades típicas de T&S se verán como lo siguiente:



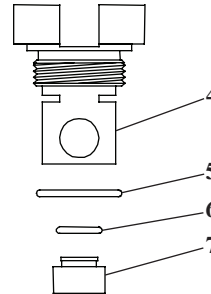
## Instrucciones Para Estuches De Reparación:

1. Para reposito, ordene una unidad completa ó reemplace partes internas con un estuche de reparos anti-sifón.
2. (Mire el dibujo amplificado). Remueva las dos partes, No.1 de la parte de encima de la parte No.2, y alze las partes No.2 y No.3.

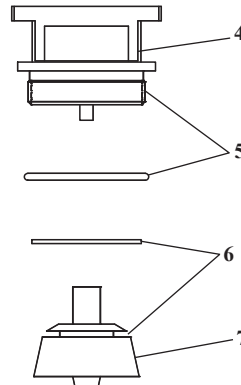
3. Destornille y remueva las partes No.4, No.5, No.6 y No.7 del interior de la parte No.8.

4. Reemplace con partes nuevas del estuche de reparo.

B-0968-RK01 3/8"



B-0969-RK01 1/2"



5. Arme de nuevo en orden reversa.

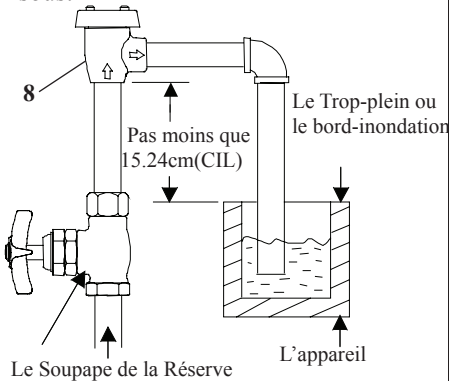
**Nota:** Asegúrese que la superficie dentro del cuerpo esté limpia y aprete la parte No.4 hasta que aciente firmemente contra el sostén interno de la parte No.8.

# Instructions Générales

## L'Installation Typique:

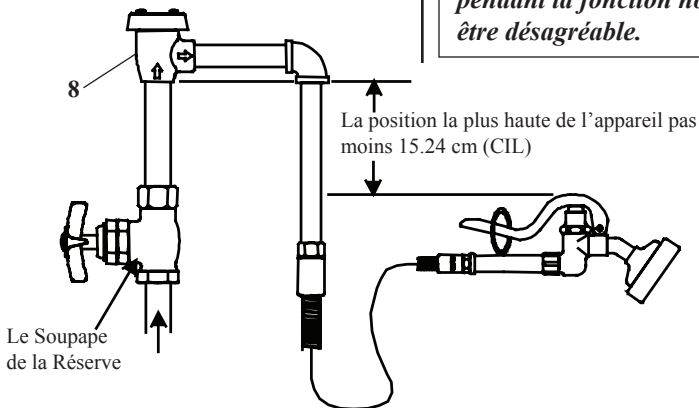
### La Vanne-Caisse-Vide

1. La vanne-caisse-vide doit être installée avec l'alimentation branchée au fond et la sortie branchée à l'appareil comme indiqué au-dessous:



2. Le fond de N° 8 doit être au moins 15.24 cm au-dessus du bord-inondation de l'appareil.

3. Quand on utilise un appareil portatif, N° 8 doit être installé au moins 15.24 cm au-dessus du point le plus haut qu'on peut lever la sortie, comme indiqué.



*Noter: Si le dispositif est un élément séparé, avec l'absence d'une ligne du Niveau de L'Installation Critique (CIL), le fond extrême de la coulée de N°8 doit être utilisé pour déterminer sa position installée. Si le dispositif est incorporé dans un tube de sortie fourni par le fabricant, le fond extrême de l'élément interne doit être noté à l'extérieur du tube par une ligne CIL, pour déterminer sa position installée.*

4. Le soupape de la réserve de l'eau doit être installé au côté d'alimentation (juste devant) la vanne-caisse-vide, et aucun soupape de sûreté doit être installé au côté de la sortie (en aval).

5. La vanne-caisse-vide ne doit pas être soumise à la pression continue plus de douze (12) heures.

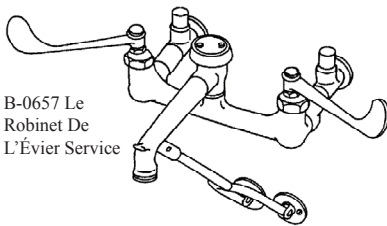
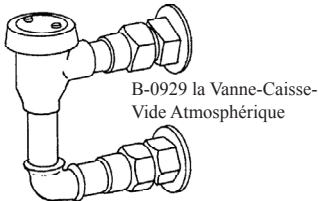
*Noter: Le dispositif ne doit pas être installé ni dans un emplacement caché ou inaccessible, ni où le déchargement de l'eau du dispositif pendant la fonction normale aller être désagréable.*



# Instructions Générales

## L'Installation Typique:

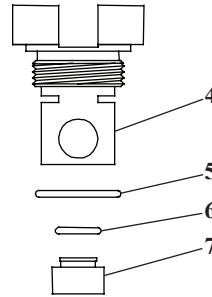
Suivre les instructions dans la section de la vanne-caisse-vide, de l'étape 1 jusqu'à l'étape 5. Deux installations typiques des éléments de T&S aller avoir l'aspect comme indiqué au-dessous:



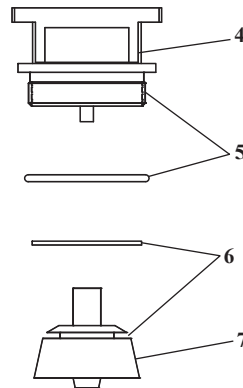
## La Trousse À Outils:

1. Pour des pièces de remplacement, commander à nouveau l'unité complète ou remplacez les pièces internes par le kit de réparation de briseur de vide.
2. (Voir la vue-explosé indiqué au-dessous.) Enlever les deux N°.1 du haut de N°.2, et lever N°.2 et N°.3.
3. Dévisser et enlever N°.4 N°.5, N°.6 et N°.7 de l'intérieur de N°.8.
4. Remplacer les parties avec les parties nouvelles de la trousse.

B-0968-RK01  
(Trousse) 0,96 cm



B-0969-RK01 1/2"



5. Réassembler a l' inverse.

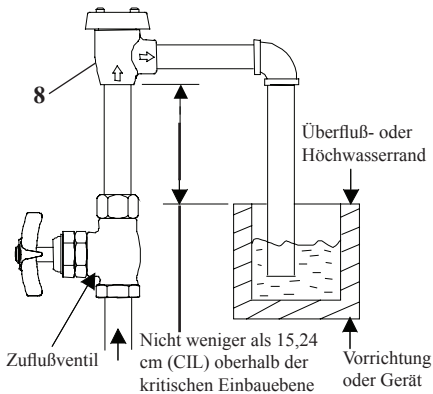
*Noter: Soyez certain que la surface de l'intérieur être propre, et puis resserrer N°.4 jusqu' il est fermement contre l'épaule de l'intérieur de N°.8.*

# Allgemeine Anleitungen

## Normale Installation:

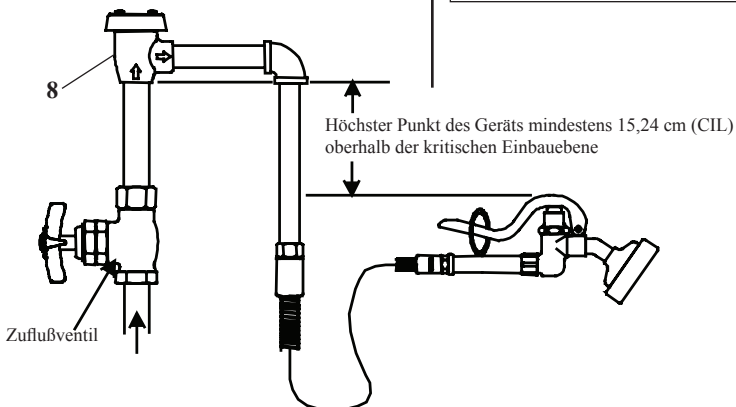
### Einfacher Vakuumschalter

1. Bei der Installation des Vakuumschalters muß die Zuführung wie gezeigt mit dem unteren Ende, und das Ausflußrohr wie gezeigt mit dem Gerät verbunden werden:



2. Das untere Ende von Nr.8 sollte mindestens 15,24 cm über dem Überflußrand der Vorrichtung oder des Geräts liegen.

3. Wenn ein tragbares Gerät verwendet wird, sollte Nr.8 wie gezeigt mindestens 15,24 cm über dem höchsten Punkt, auf den das Ausflußrohr angehoben werden kann, installiert werden.



*Anmerkung: Falls das Gerät eine separate Einheit ist, ist, falls eine kritische Einbauebene fehlt (CIL), nach der Installation der äußerste untere Rand des Gußstückens Nr.8 zur Festlegung seiner Lage zu verwenden. Falls das Gerät Teil eines Ausflußrohrs, das vom Hersteller geliefert wird, ist, ist der äußerste untere Teil der internen Einheit auf der Außenseite des Rohrs durch eine Linie für die kritische Einbauebene zur Bestimmung seiner Lage nach der Installation anzugeben.*

4. Das Wasserzulaufventil muß an der Zulaufseite vor dem Vakuumschalter installiert werden und auf der Ausflußseite (abwärts) sollte kein Absperrventil installiert werden.

5. Der Vakuumschalter darf keinem Dauerdruck von mehr als zwölf (12) Stunden ausgesetzt werden.

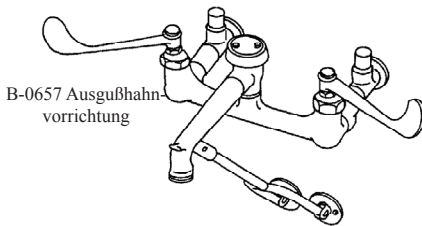
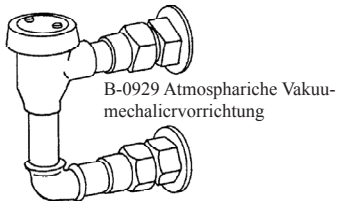
*Anmerkung: Dieses Gerät darf nicht an einer versteckten oder unzugänglichen Stelle oder an einer Stelle, wo das Abfließen von Wasser aus dem Gerät während des normalen Betriebs beanstandet werden könnte, installiert werden.*

# Allgemeine Anleitungen

## Normale Installation:

Die Anleitungen für den einfachen Vakuumschalter, Schritt 1 bis 5, befolgen.

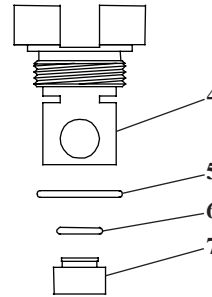
Die Installation von zwei typischen T&S Einheiten sieht wie folgt aus:



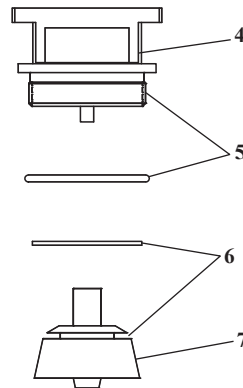
## Instandsetzungssatz:

1. Wenn Ersatzteile benötigt werden, muss die ganze Einheit nachbestellt werden. Alternativ kann auch ein Vakuumschalter Ersatzset bestellt werden, um interne Teile zu ersetzen.
2. (Siehe Darstellung in auseinandergezogener Anordnung oben.) Die beiden Teile Nr.1 von der Oberseite von Nr.2 entfernen und Nr.2 und 3 abheben.
3. Nr.4, 5, 6 und 7 von der Innenseite von Nr.8 losschrauben und entfernen.
4. Teile durch neue Teile des Instandsetzungssatzes ersetzen.

B-0968-RK01 0,96 cm  
(Instandsetzungssatz)



B-0969-RK01 1/2"



5. In umgekehrter Anordnung wieder zusammensetzen.

**Anmerkung:** Sicherstellen, daß die Oberfläche innerhalb des Gehäuses sauber ist, und dann Nr.4 festdrehen, bis der Teil fest gegen die innere Schulter von Nr.8 ansitzt.

## RELATED T&S BRASS PRODUCT LINE



**B-0965**  
**Atmospheric Vacuum**  
**Breaker Assembly with**  
**Exposed Outlet**



**B-0929**  
**Atmospheric Back**  
**Flow Preventer**



**B-0456**  
**Atmospheric**  
**Vacuum Breaker**  
**Assembly**

---

## T&S BRASS AND BRONZE WORKS, INC.

A firm commitment to application-engineered plumbing products

2 Saddleback Cove, P.O. Box 1088,  
Travelers Rest, SC 29690

Phone: (864) 834-4102

Fax: (864) 834-3518

E-mail: [tsbrass@tsbrass.com](mailto:tsbrass@tsbrass.com)

T & S Brass-Europe  
'De Veenhoeve'  
Oude Nieuwveenseweg 84  
2441 CW Nieuwveen

The Netherlands



RELIABILITY BUILT IN™