



T&S BRASS AND BRONZE WORKS, INC.
 2 SADDLEBACK COVE / P.O. BOX 1088 / TRAVELERS REST, SC 29690
 PHONE 800-476-4103 FAX 864- 834-3518



Model No.

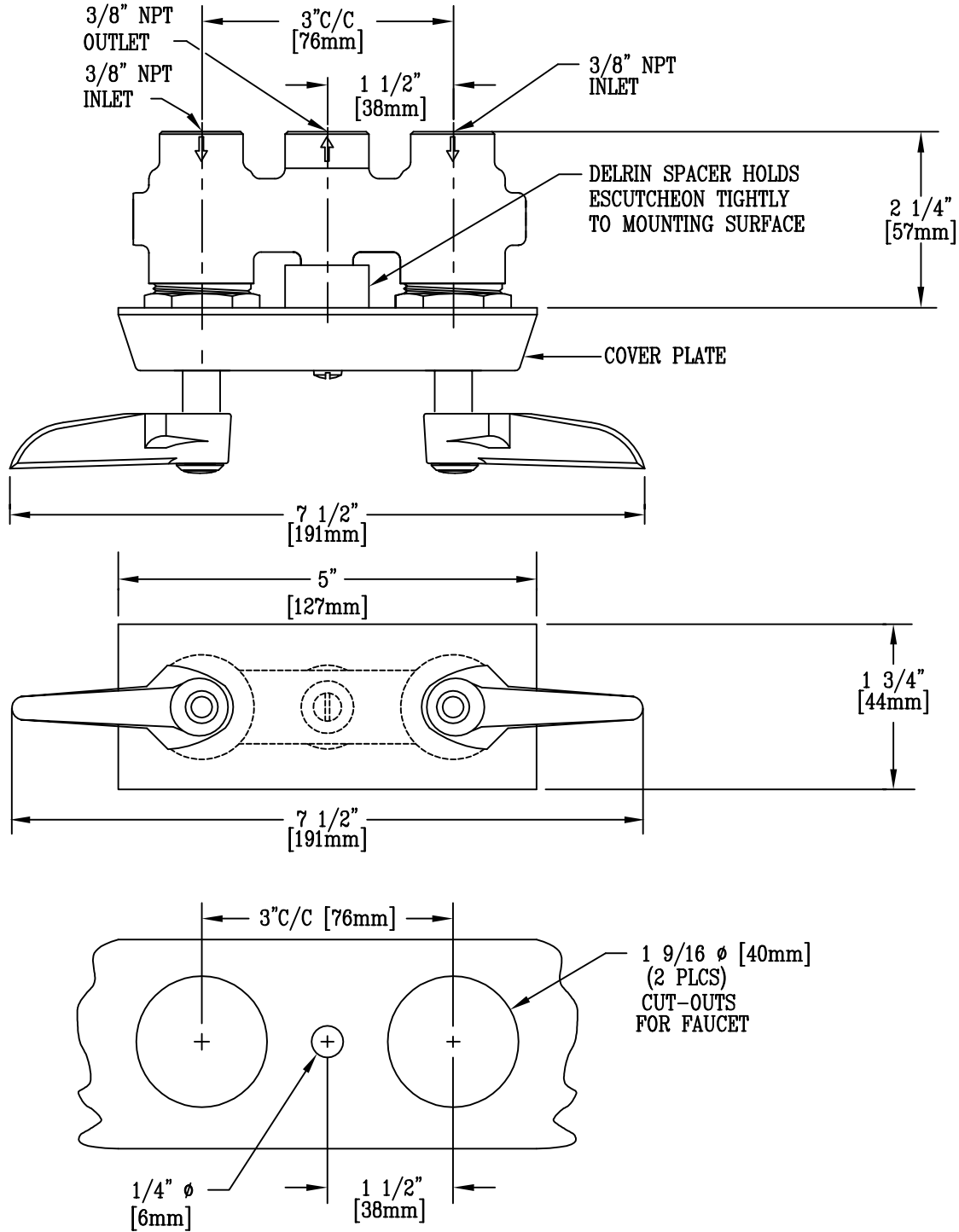
B-0513

Item No.:

Job Name:

Architect/Engineer Approval:

Notes:



Product Description:

CONCEALED MIXING FAUCET WITH LEVER HANDLES

Drawn:

WJS

Approved

JHB

Checked

JRM

Scale:

1:2

Date:

02/03/06



T&S BRASS AND BRONZE WORKS, INC.

2 SADDLEBACK COVE / P.O. BOX 1088 / TRAVELERS REST, SC 29690

PHONE 800-476-4103

FAX 864-834-3518



REG.#A2601
ISO #9002

Model No.

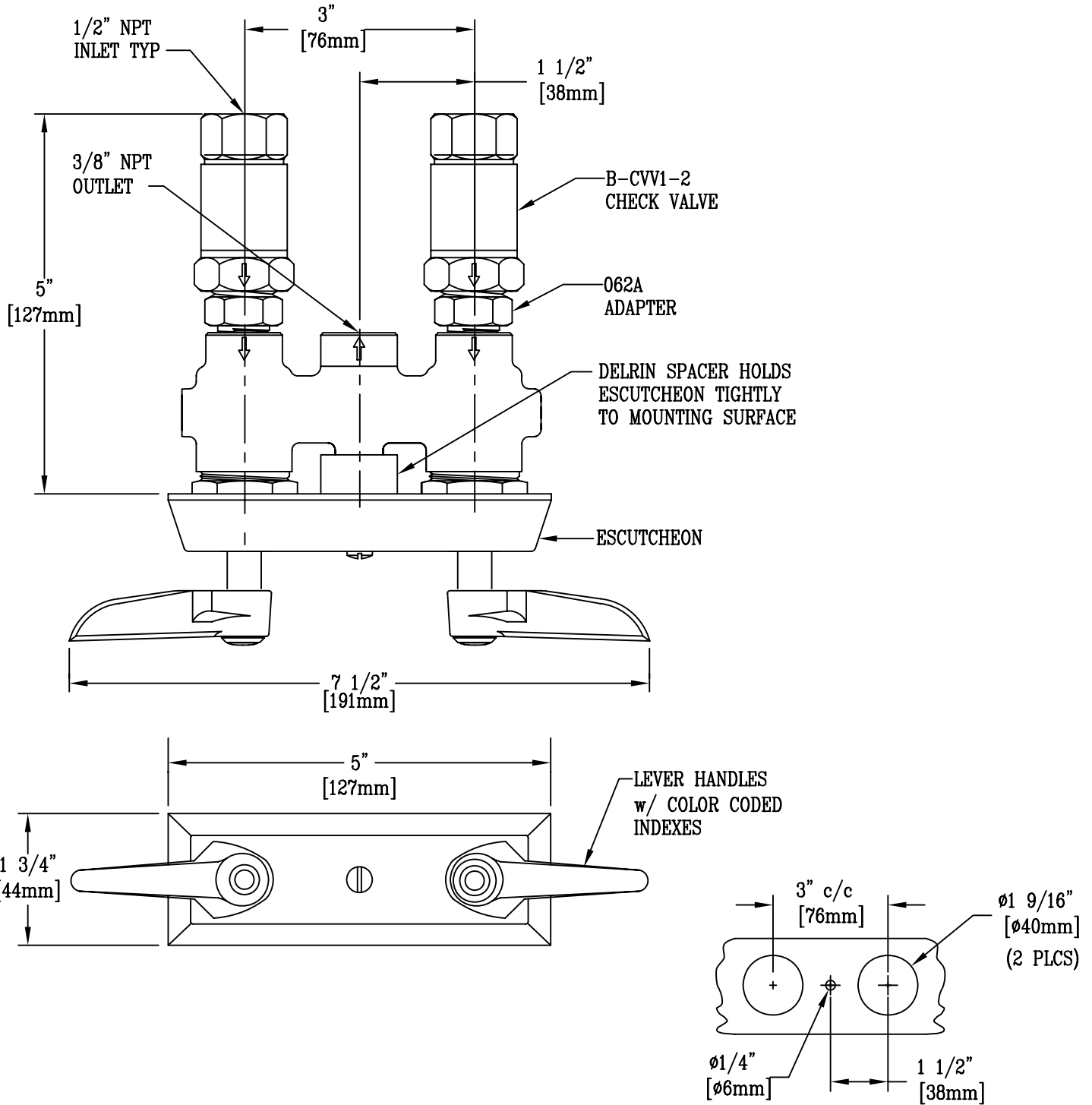
B-0513-01

Item No.:

Job Name:

Architect/Engineer Approval:

Notes:



NOTE: ROUGH-IN REQUIREMENT
SCALE: NTS

Product Description:
CONCEALED MIXING FAUCET w/ LEVER HANDLES, ADAPTERS & CHECK VALVES

Drawn:

KJG

Checked

JRM

Scale:

1:2

Approved

JHB

Date:

09/22/08