



T&S BRASS AND BRONZE WORKS, INC.

2 Saddleback Cove / P.O. Box 1088
Travelers Rest, SC 29690

Model No.

B-0155-01LN

Item No.

Travelers Rest, SC: 800-476-4103 • Simi Valley, CA: 800-423-0150 • Fax: 864-834-3518 • www.tsbrass.com



ADA Compliant

This Space for Architect/Engineer Approval

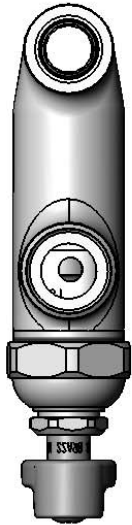
Job Name _____ Date _____

Model Specified _____ Quantity _____

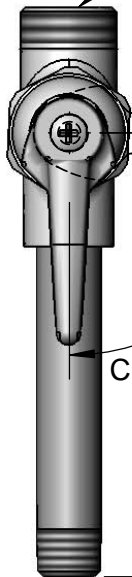
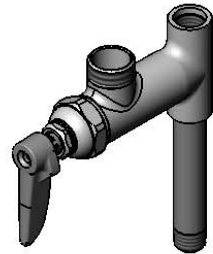
Customer/Wholesaler _____

Contractor _____

Architect/Engineer _____



Swivel Outlet Accepts Standard T&S Swing Nozzles



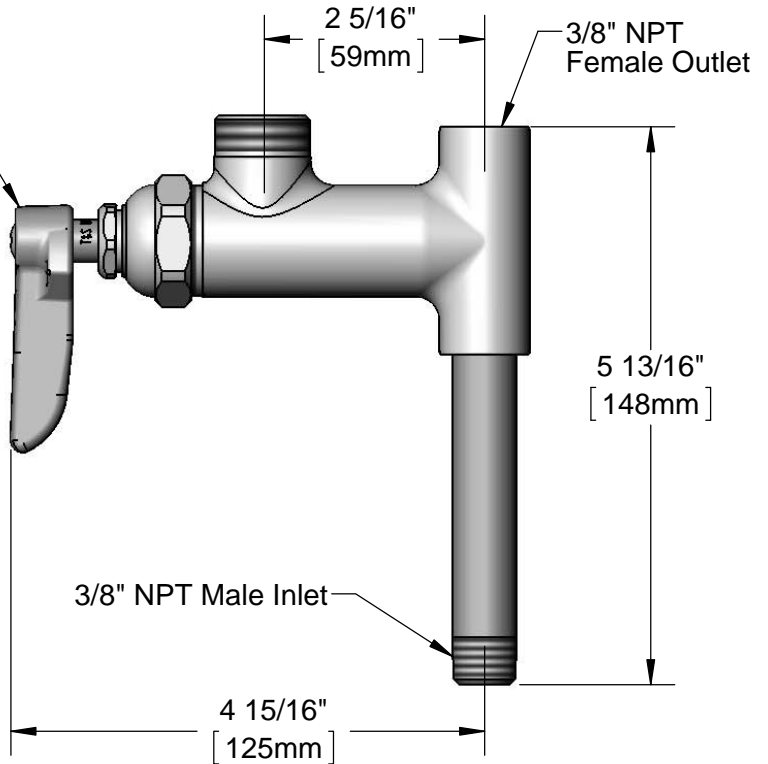
1/4 Turn Eterna Cartridge & Lever Handle

Fully Open

90°

Closed

4 5/8" [117mm]



2 5/16" [59mm]

3/8" NPT Female Outlet

5 13/16" [148mm]

3/8" NPT Male Inlet

4 15/16" [125mm]

Notes:

1. Add-On Faucet is an Addition to Pre-Rinse Units and is Installed in Outlets of Base Mixing Faucets of Units Before Fitting Riser Pipes
2. Lever Handle Controls Water On-Off Thru Nozzle Only. Pressure is Always "On" in Riser Pipe (Controlled by Base Mixing Faucet)

Product Specifications:

Add-On Faucet w/ 1/4 Turn Eterna Cartridge, Lever Handle, 4" Nipple (Less Nozzle)

Product Compliance:

ASME A112.18.1 / CSA B125.1
NSF 61 - Section 9
NSF 372 (Low Lead Content)
ANSI A117.1 (ADA)



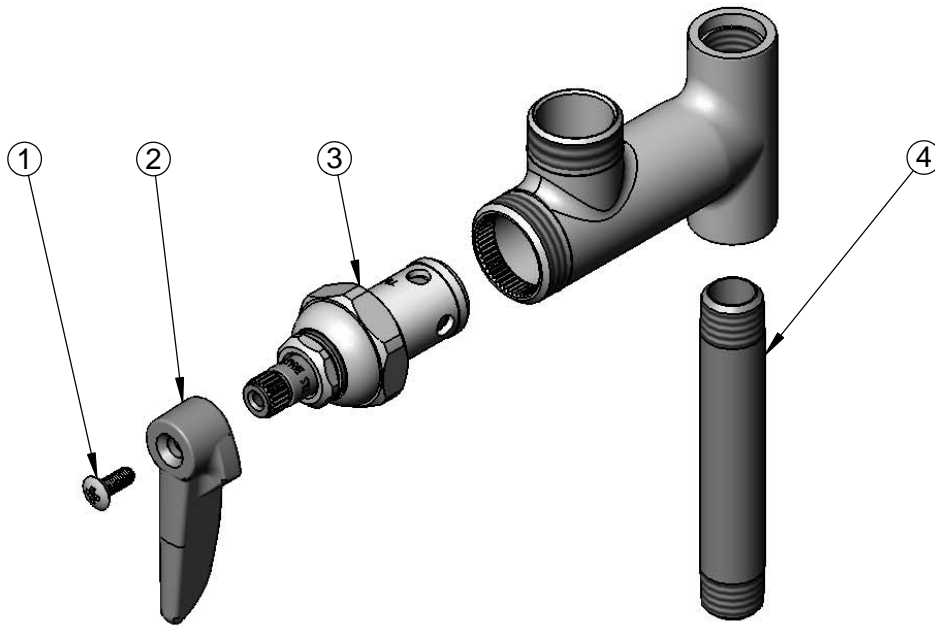
T&S BRASS AND BRONZE WORKS, INC.
2 Saddleback Cove / P.O. Box 1088
Travelers Rest, SC 29690

Model No.
B-0155-01LN

Item No.

Travelers Rest, SC: 800-476-4103 • Simi Valley, CA: 800-423-0150 • Fax: 864-834-3518 • www.tsbrass.com

ITEM NO.	SALES NO.	DESCRIPTION
1	000922-45	Lever Handle Screw
2	001638-45	Lever Handle
3	005960-40QT	1/4 Turn Eterna Cartridge, RTC
4	000360-40	Nipple, 3/8" NPT x 4"



Product Specifications:
Add-On Faucet w/ 1/4 Turn Eterna Cartridge, Lever Handle, 4" Nipple
(Less Nozzle)

Product Compliance:
ASME A112.18.1 / CSA B125.1
NSF 61 - Section 9
NSF 372 (Low Lead Content)
ANSI A117.1 (ADA)