



T&S BRASS AND BRONZE WORKS, INC.

2 Saddleback Cove / P.O. Box 1088
Travelers Rest, SC 29690

Model No.

B-0101

Item No.

Travelers Rest, SC: 800-476-4103 • Simi Valley, CA: 800-423-0150 • Fax: 864-834-3518 • www.tsbrass.com

This Space for Architect/Engineer Approval

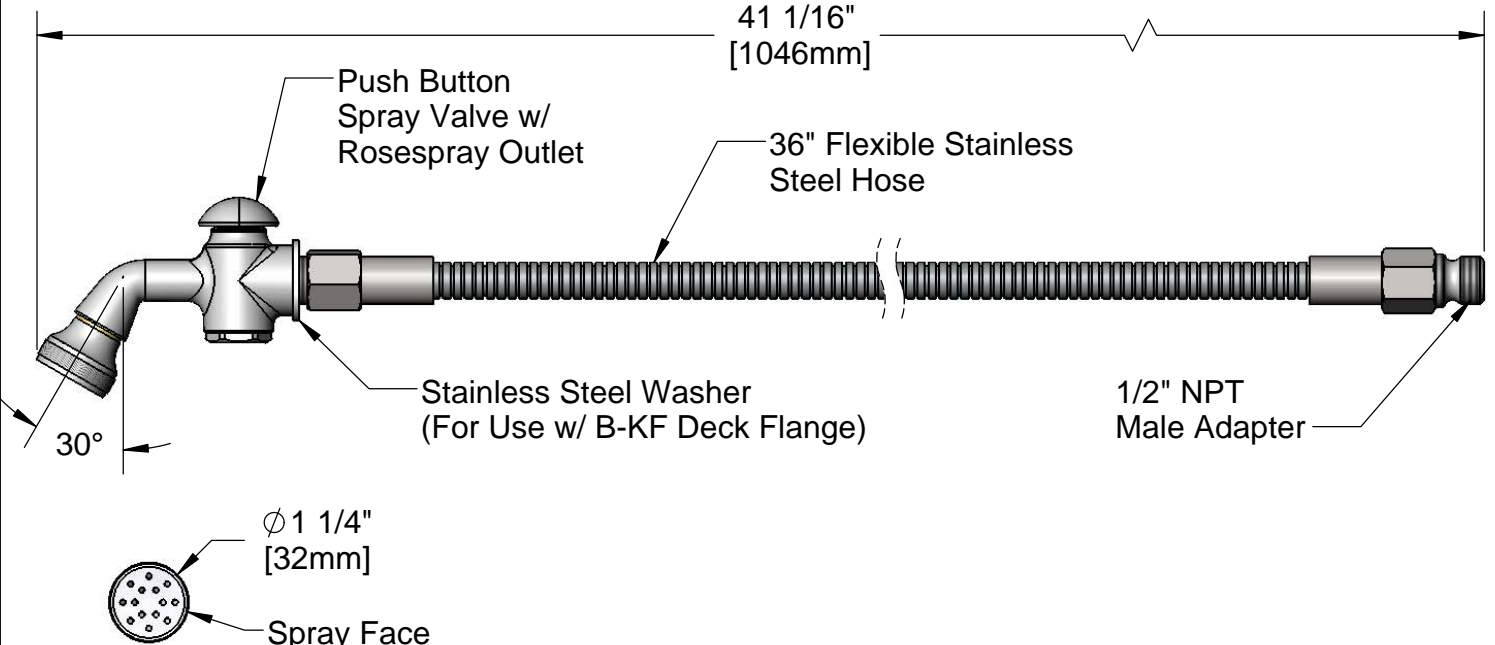
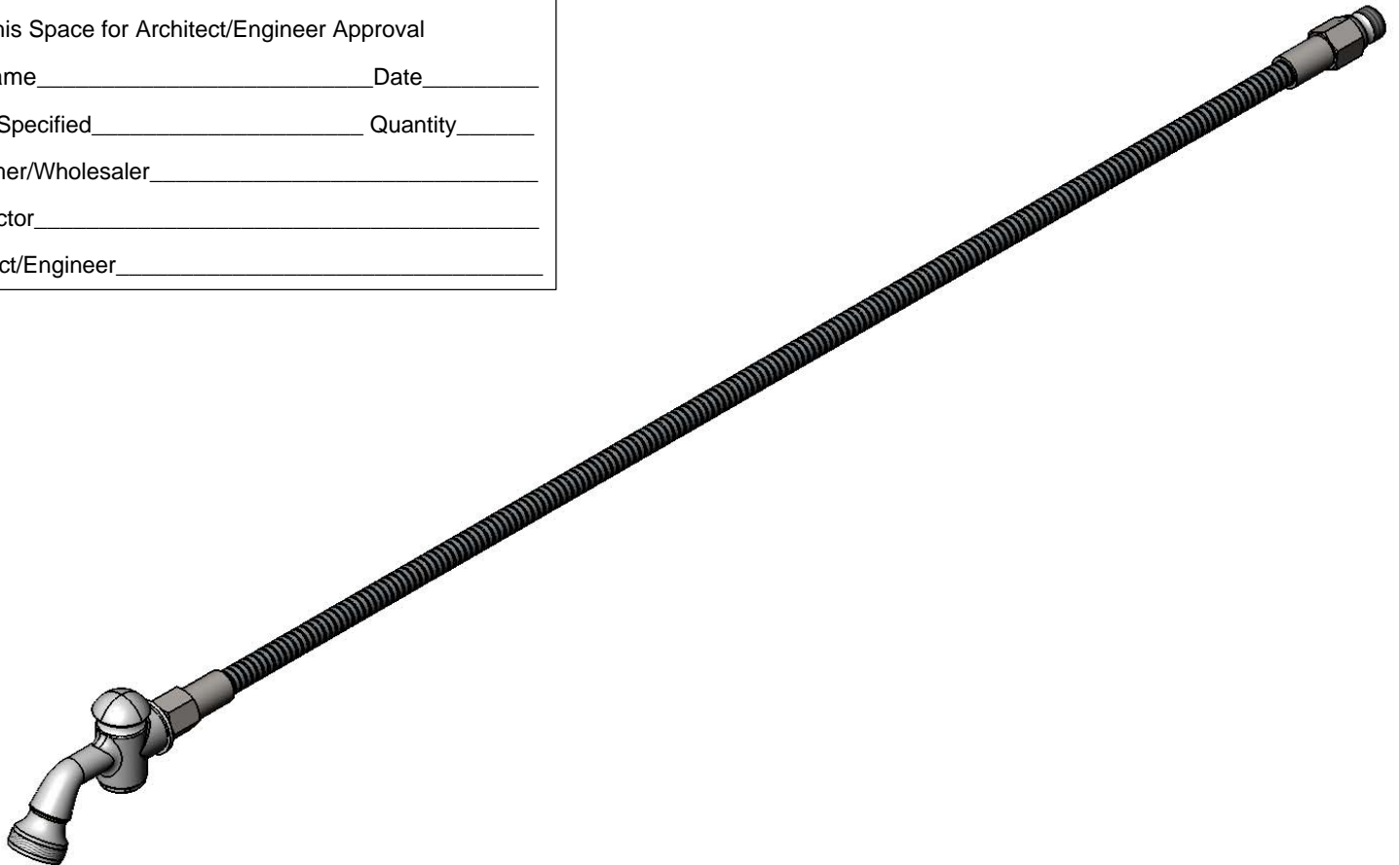
Job Name _____ Date _____

Model Specified _____ Quantity _____

Customer/Wholesaler _____

Contractor _____

Architect/Engineer _____



Product Specifications:

Spray Valve w/ Rosespray Outlet & 36" Flexible Stainless Steel Hose & Adapter

Product Compliance:

ASME A112.18.1 / CSA B125.1
NSF 61 - Section 9
NSF 372 (Low Lead Content)
EPA Act 2005 Non-Compliant (PRSV)



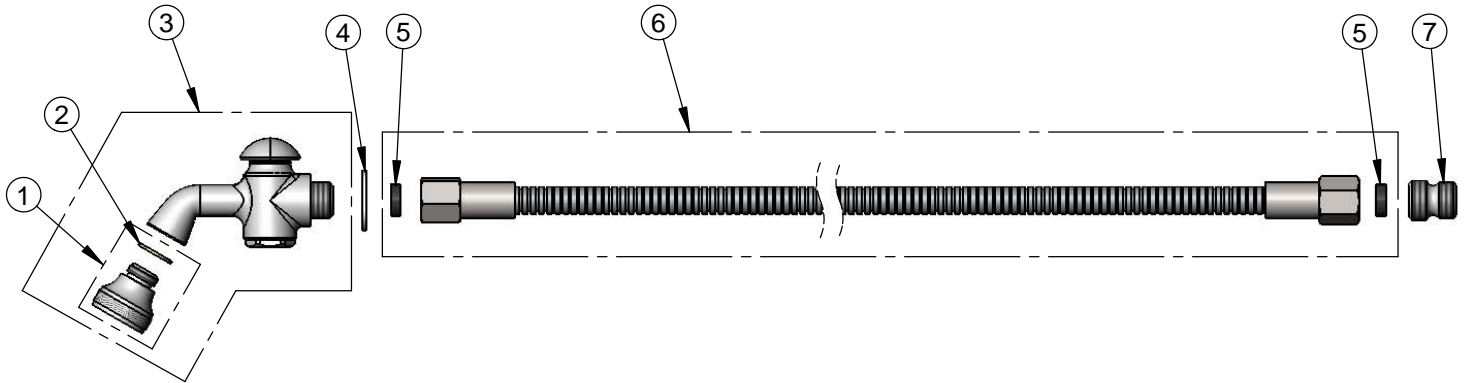
T&S BRASS AND BRONZE WORKS, INC.
2 Saddleback Cove / P.O. Box 1088
Travelers Rest, SC 29690

Model No.
B-0101

Item No.

Travelers Rest, SC: 800-476-4103 • Simi Valley, CA: 800-423-0150 • Fax: 864-834-3518 • www.tsbrass.com

ITEM NO.	SALES NO.	DESCRIPTION
1	B-0103	Rosespray Outlet
2	001043-45	Washer
3	002857-40	Spray Valve w/ Rosespray Outlet
4	001010-40	Washer, Stainless Steel
5	010476-45	#27 Washer
6	013E-36H	36" Flexible Stainless Steel Hose
7	055A	Adapter, 1/2 NPT Male



Product Specifications:
Spray Valve w/ Rosespray Outlet & 36" Flexible
Stainless Steel Hose & Adapter

Product Compliance:
ASME A112.18.1 / CSA B125.1
NSF 61 - Section 9
NSF 372 (Low Lead Content)
EPA 2005 Non-Compliant (PRSV)



T&S BRASS AND BRONZE WORKS, INC.
 2 Saddleback Cove / P.O. Box 1088
 Travelers Rest, SC 29690

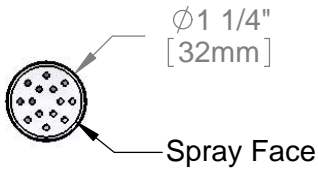
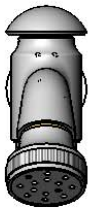
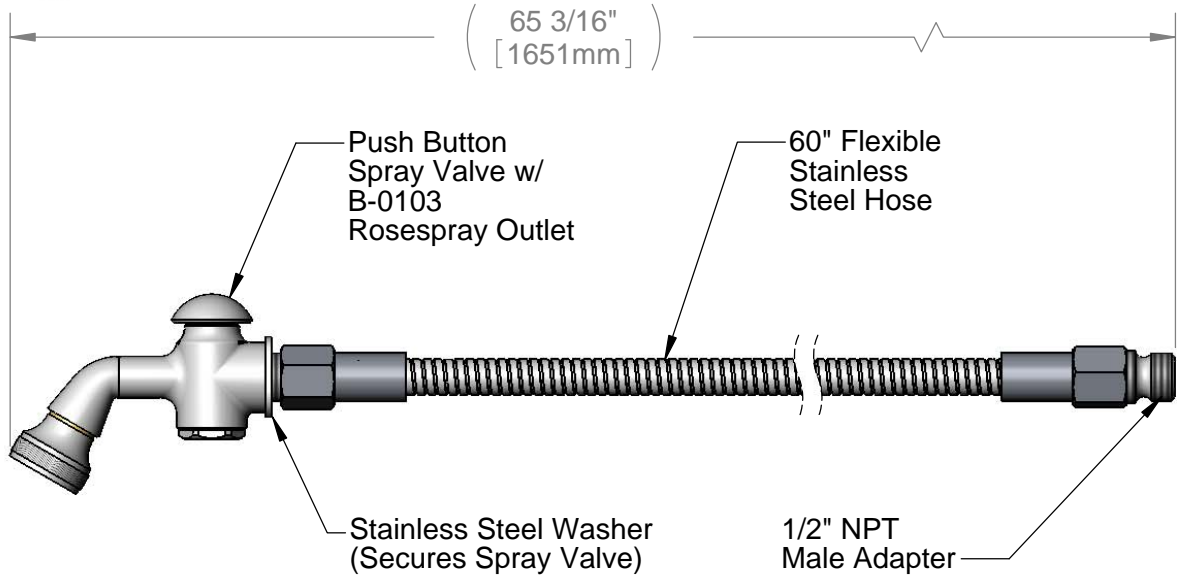
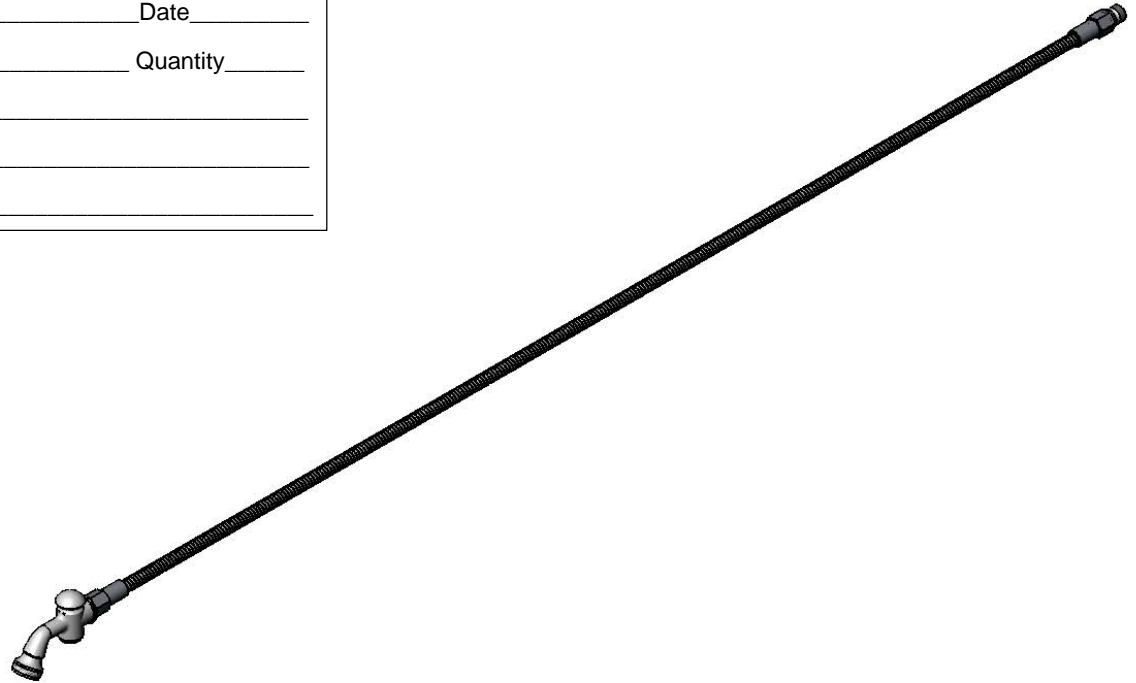
Model No.
B-0101-60H

Item No.

Travelers Rest, SC: 800-476-4103 • Simi Valley, CA: 800-423-0150 • Fax: 864-834-3518 • www.tsbrass.com

This Space for Architect/Engineer Approval

Job Name _____ Date _____
 Model Specified _____ Quantity _____
 Customer/Wholesaler _____
 Contractor _____
 Architect/Engineer _____



Product Specifications:
 Spray Valve w/ Rosespray Outlet & 60" Flexible Stainless Steel Hose

Product Compliance:
 ASME A112.18.1 / CSA B125.1
 NSF 61 - Section 9
 NSF 372 (Low Lead Content)
 EPA Act 2005 Non-Compliant (PRSV)



T&S BRASS AND BRONZE WORKS, INC.

2 Saddleback Cove / P.O. Box 1088
Travelers Rest, SC 29690

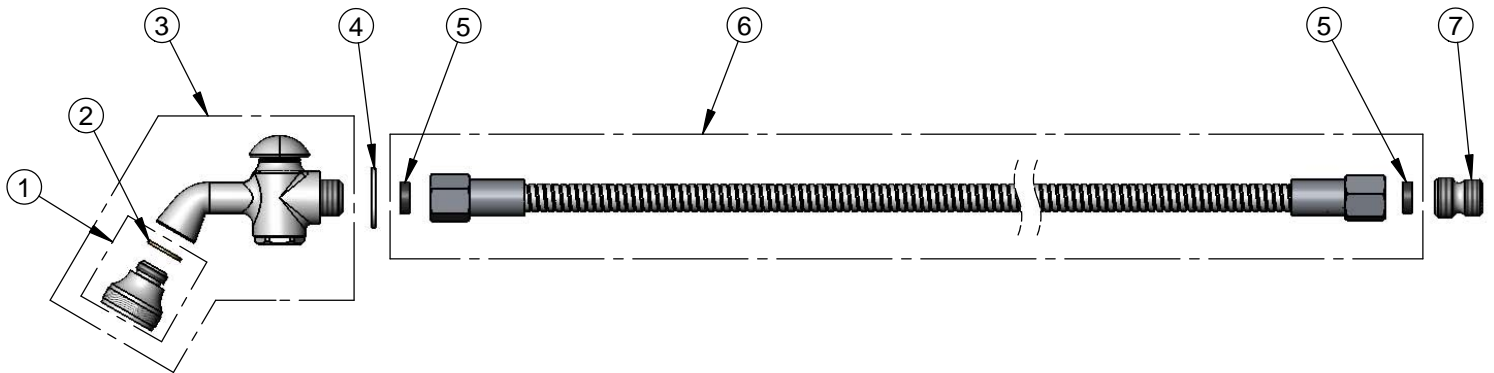
Model No.

B-0101-60H

Item No.

Travelers Rest, SC: 800-476-4103 • Simi Valley, CA: 800-423-0150 • Fax: 864-834-3518 • www.tsbrass.com

ITEM NO.	SALES NO.	DESCRIPTION
1	B-0103	Rosespray Outlet, 3/8" NPSM Male
2	001043-45	Washer
3	002857-40	016A Spray Valve
4	001010-40	Washer, Stainless Steel
5	010476-45	#27 Washer
6	013E-60H	60" Flexible Stainless Steel Hose
7	055A	Adapter, 1/2 NPT Male



Product Specifications:
Spray Valve w/ Rosespray Outlet & 60" Flexible Stainless Steel Hose

Product Compliance:
ASME A112.18.1 / CSA B125.1
NSF 61 - Section 9
NSF 372 (Low Lead Content)
EPAct 2005 Non-Compliant (PRSV)



T&S BRASS AND BRONZE WORKS, INC.
 2 Saddleback Cove / P.O. Box 1088
 Travelers Rest, SC 29690

Model No.
B-0101-A

Item No.

Travelers Rest, SC: 800-476-4103 • Simi Valley, CA: 800-423-0150 • Fax: 864-834-3518 • www.tsbrass.com

This Space for Architect/Engineer Approval

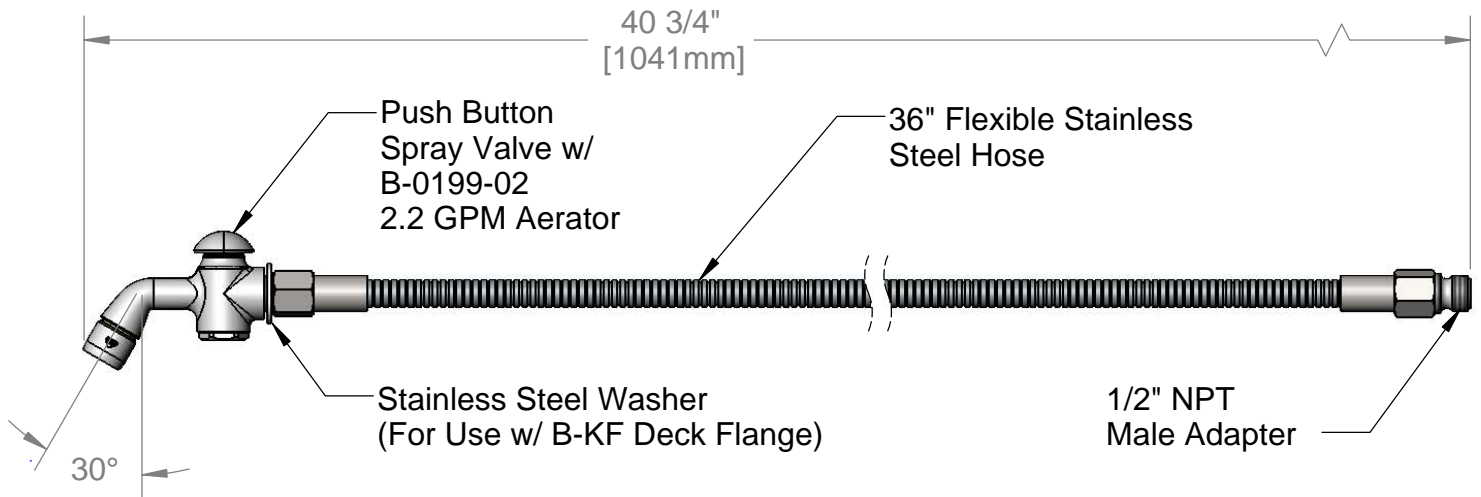
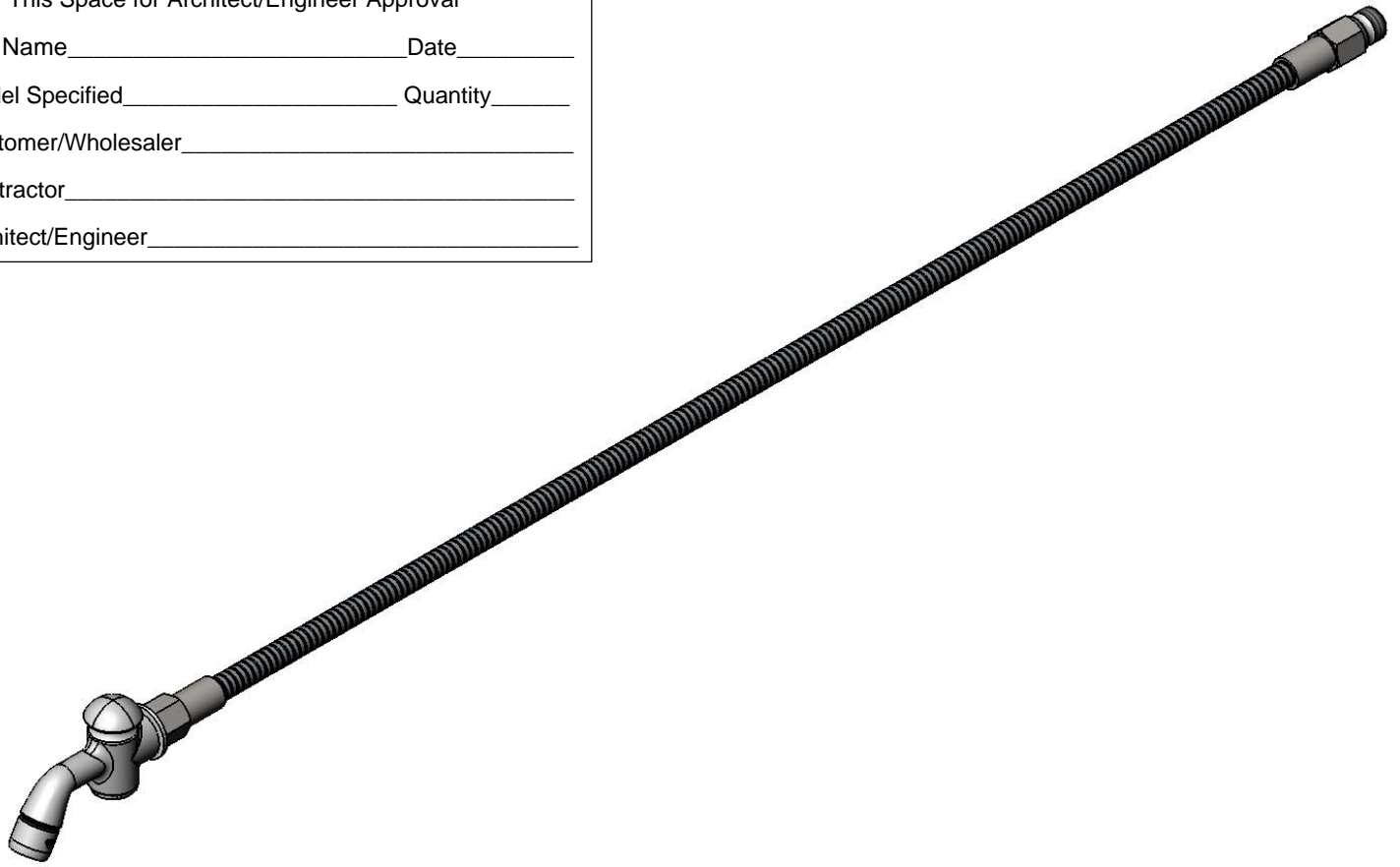
Job Name _____ Date _____

Model Specified _____ Quantity _____

Customer/Wholesaler _____

Contractor _____

Architect/Engineer _____



Product Specifications:
Spray Valve w/ 2.2 GPM Aerator Outlet & 36" Flexible Stainless Steel Hose w/ Adapter

Product Compliance:
 ASME A112.18.1 / CSA B125.1
 NSF 61 - Section 9
 NSF 372 (Low Lead Content)
 EPA Act 2005 Non-Compliant (PRSV)



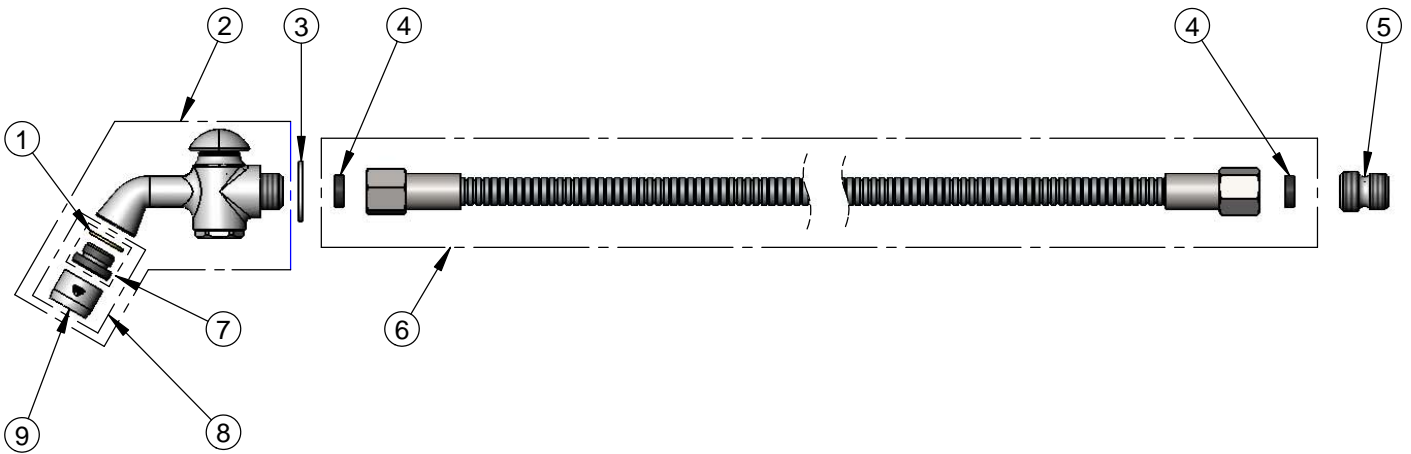
T&S BRASS AND BRONZE WORKS, INC.
 2 Saddleback Cove / P.O. Box 1088
 Travelers Rest, SC 29690

Model No.
B-0101-A

Item No.

Travelers Rest, SC: 800-476-4103 • Simi Valley, CA: 800-423-0150 • Fax: 864-834-3518 • www.tsbrass.com

ITEM NO.	SALES NO.	DESCRIPTION
1	001043-45	Washer
2	002858-40	Spray Valve w/ 2.2 GPM Aerator
3	001010-40	Washer, Stainless Steel
4	010476-45	#27 Washer
5	055A	Adapter, 1/2 NPT Male
6	013E-36H	36" Flexible Stainless Steel Hose
7	044A	3/8" to Aerator Adapter w/ Washer
8	B-0199-02	2.2 GPM Aerator, 3/8" NPSM Male
9	B-0199-01	2.2 GPM Aerator, 55/64"-27 UN Female



Product Specifications:
**Spray Valve w/ 2.2 GPM Aerator Outlet & 36" Flexible
 Stainless Steel Hose w/ Adapter**

Product Compliance:
 ASME A112.18.1 / CSA B125.1
 NSF 61 - Section 9
 NSF 372 (Low Lead Content)
 EPA 2005 Non-Compliant (PRSV)



T&S BRASS AND BRONZE WORKS, INC.
 2 Saddleback Cove / P.O. Box 1088
 Travelers Rest, SC 29690

Model No.

B-0101-A60

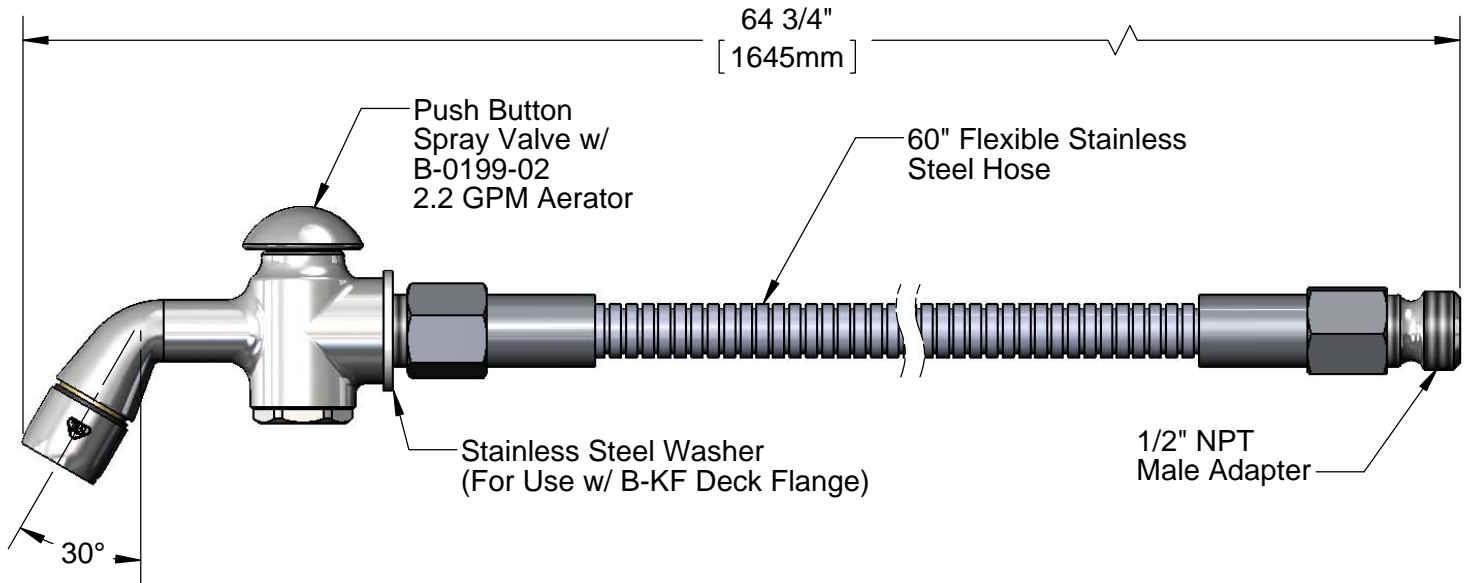
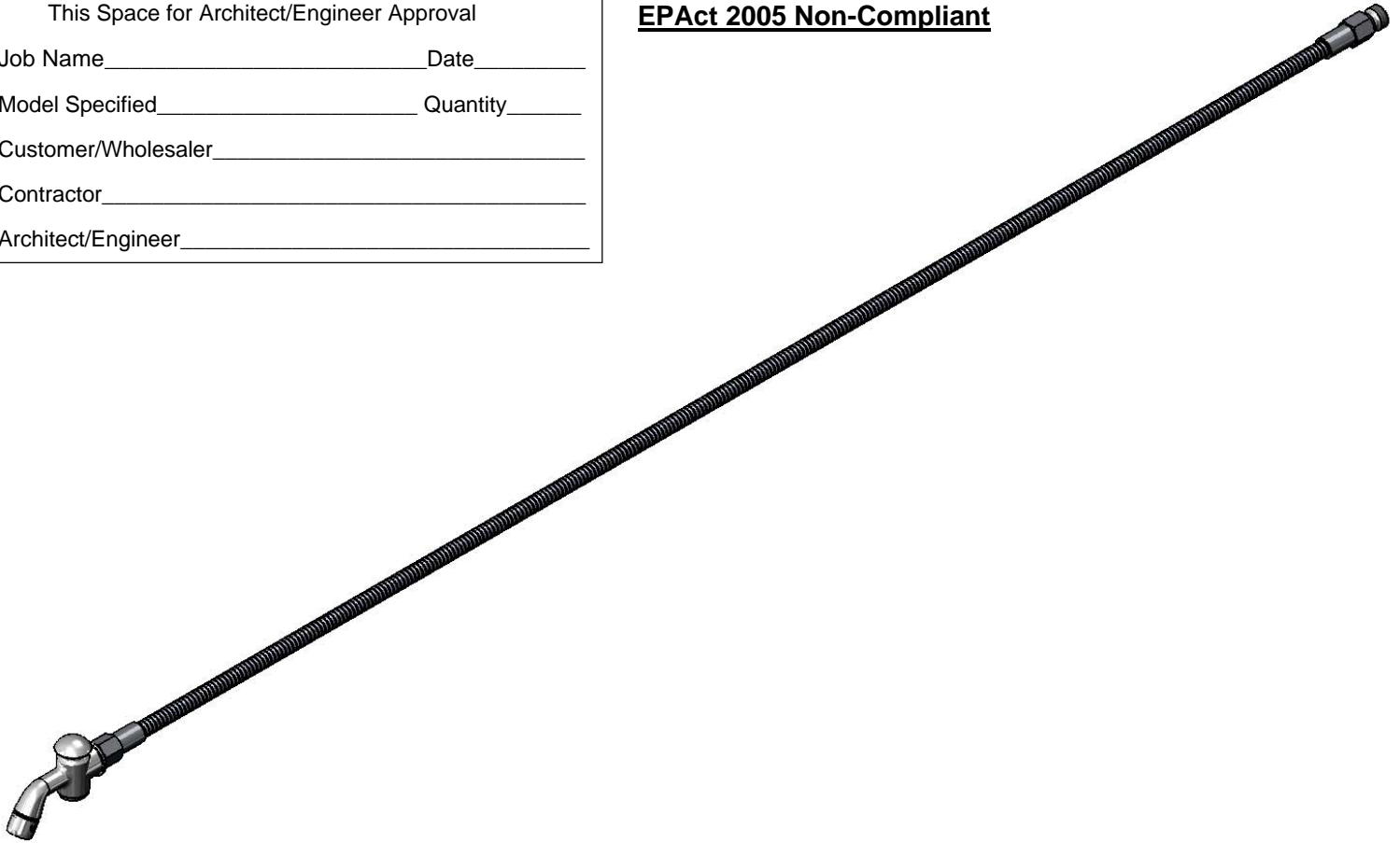
Item No.

Travelers Rest, SC: 800-476-4103 • Simi Valley, CA: 800-423-0150 • Fax: 864-834-3518 • www.tsbrass.com

This Space for Architect/Engineer Approval

Job Name _____ Date _____
 Model Specified _____ Quantity _____
 Customer/Wholesaler _____
 Contractor _____
 Architect/Engineer _____

EPAct 2005 Non-Compliant



Product Specifications:
 Spray Valve w/ 2.2 GPM Aerator & 60" Flexible
 Stainless Steel Hose w/ Adapter

Drawn

KJG

Checked

DMH

Approved

JHB

Scale:

1:2

Date:

01/28/14



T&S BRASS AND BRONZE WORKS, INC.

2 Saddleback Cove / P.O. Box 1088
Travelers Rest, SC 29690

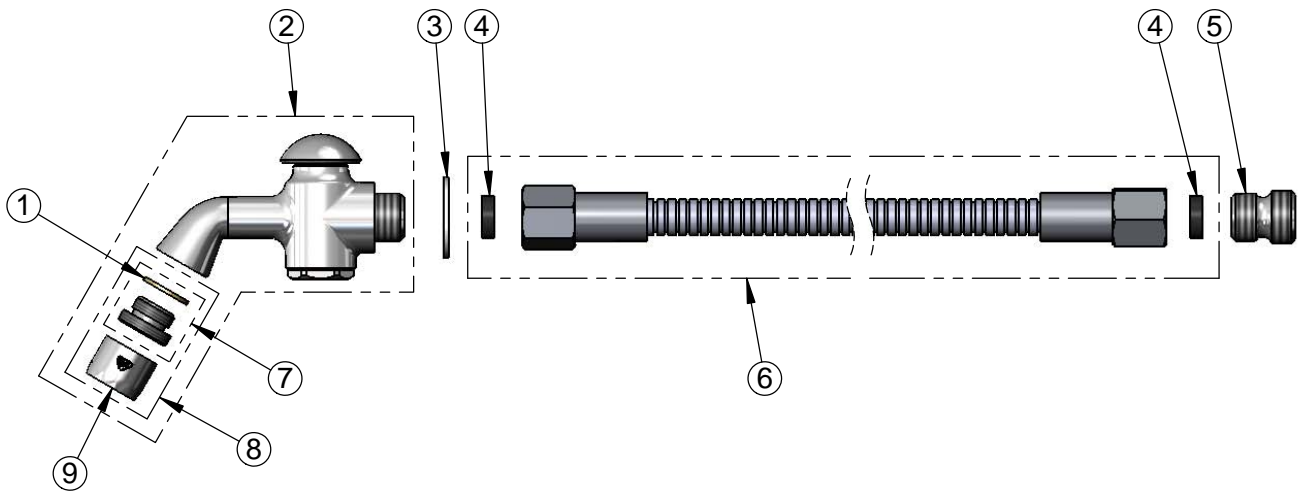
Model No.

B-0101-A60

Item No.

Travelers Rest, SC: 800-476-4103 • Simi Valley, CA: 800-423-0150 • Fax: 864-834-3518 • www.tsbrass.com

ITEM NO.	SALES NO.	DESCRIPTION
1	001043-45	Washer
2	002858-40	Spray Valve w/ 2.2 GPM Aerator
3	001010-40	Washer, Stainless Steel
4	010476-45	#27 Washer
5	055A	Adapter, 1/2 NPT Male
6	013E-60H	60" Flexible Stainless Steel Hose
7	044A	3/8" to Aerator Adapter
8	B-0199-02	2.2 GPM Aerator, 3/8" NPSM Male
9	B-0199-01	2.2 GPM Aerator, 55/64"-27 UN Female



Product Specifications:
Spray Valve w/ 2.2 GPM Aerator & 60" Flexible
Stainless Steel Hose w/ Adapter

Drawn

KJG

Checked

DMH

Approved

JHB

Scale:

NTS

Date:

01/28/14



T&S BRASS AND BRONZE WORKS, INC.
 2 Saddleback Cove / P.O. Box 1088
 Travelers Rest, SC 29690

Model No.
B-0101-A68

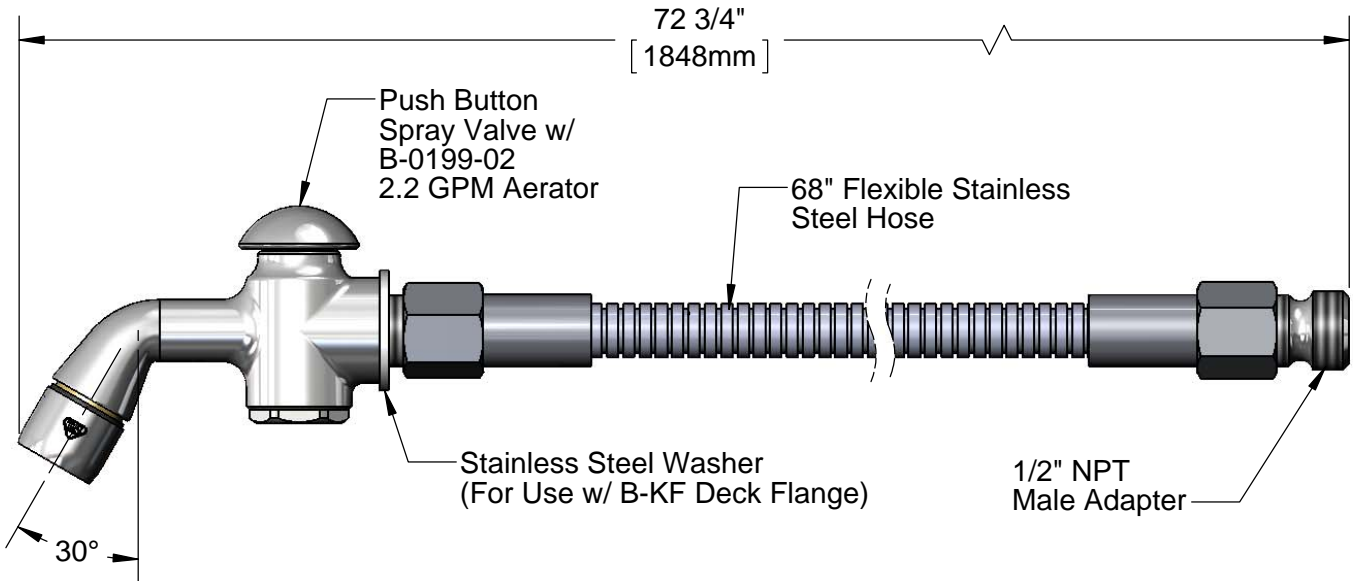
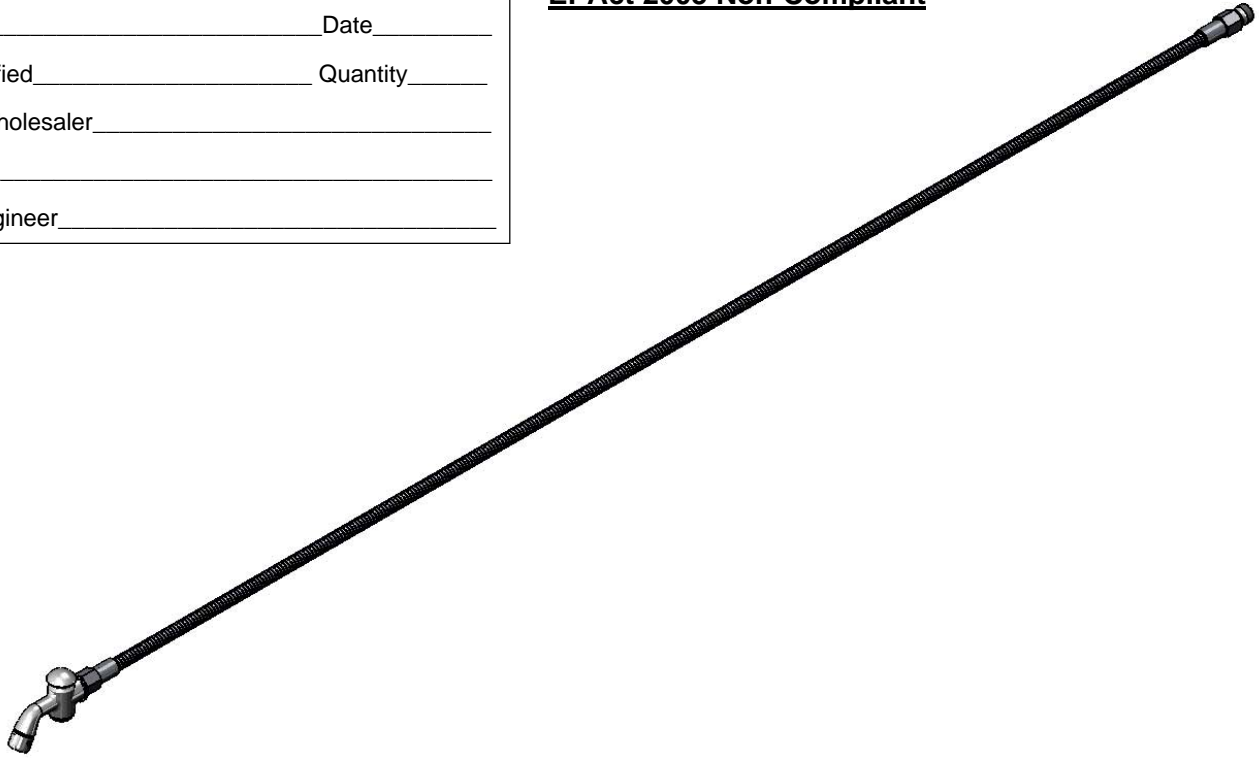
Item No.

Travelers Rest, SC: 800-476-4103 • Simi Valley, CA: 800-423-0150 • Fax: 864-834-3518 • www.tsbrass.com

This Space for Architect/Engineer Approval

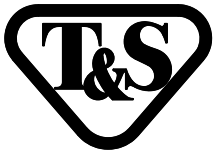
Job Name _____ Date _____
 Model Specified _____ Quantity _____
 Customer/Wholesaler _____
 Contractor _____
 Architect/Engineer _____

EPAct 2005 Non-Compliant



Product Specifications:
 Spray Valve w/ 2.2 GPM Aerator & 68" Flexible Stainless Steel Hose
 w/ Adapter

Drawn KJG	Checked DMH	Approved JHB
Scale: 1:2	Date: 01/28/14	



T&S BRASS AND BRONZE WORKS, INC.

2 Saddleback Cove / P.O. Box 1088
Travelers Rest, SC 29690

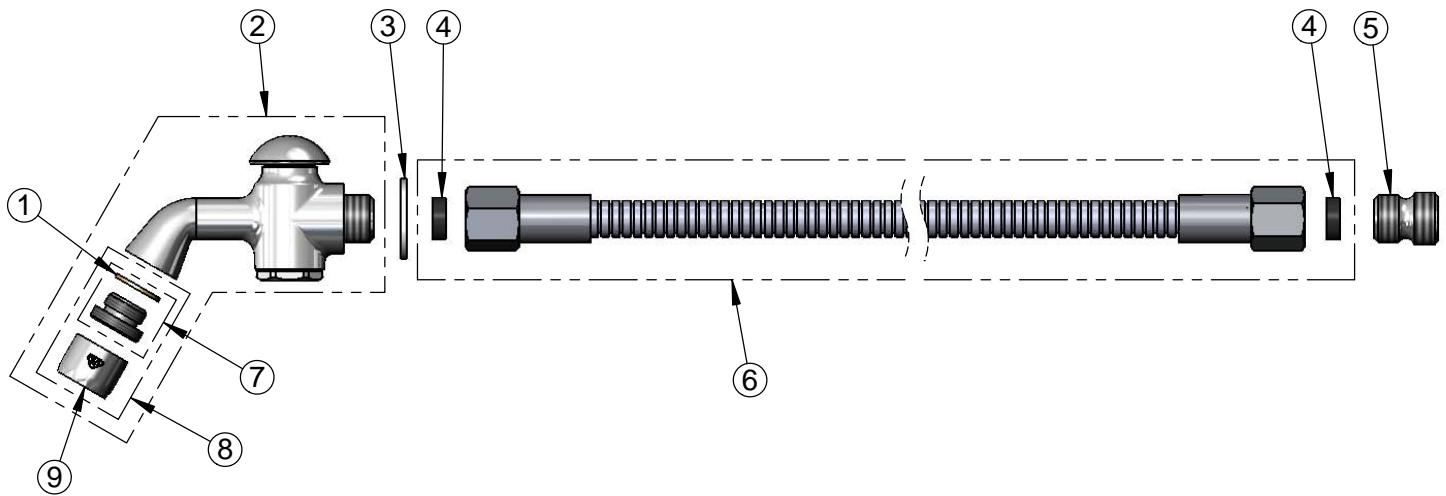
Model No.

B-0101-A68

Item No.

Travelers Rest, SC: 800-476-4103 • Simi Valley, CA: 800-423-0150 • Fax: 864-834-3518 • www.tsbrass.com

ITEM NO.	SALES NO.	DESCRIPTION
1	001043-45	Washer
2	002858-40	Spray Valve w/ 2.2 GPM Aerator
3	001010-40	Washer, Stainless Steel
4	010476-45	#27 Washer
5	055A	Adapter, 1/2 NPT Male
6	013E-68H	68" Flexible Stainless Steel Hose
7	044A	3/8" to Aerator Adapter
8	B-0199-02	2.2 GPM Aerator, 3/8" NPSM Male
9	B-0199-01	2.2 GPM Aerator, 55/64"-27 UN Female



Product Specifications:
Spray Valve w/ 2.2 GPM Aerator & 68" Flexible Stainless Steel Hose
w/ Adapter

Drawn

KJG

Checked

DMH

Approved

JHB

Scale:

NTS

Date:

01/28/14



T&S BRASS AND BRONZE WORKS, INC.
 2 Saddleback Cove / P.O. Box 1088
 Travelers Rest, SC 29690

Model No.
B-0101-A84

Item No.

Travelers Rest, SC: 800-476-4103 • Simi Valley, CA: 800-423-0150 • Fax: 864-834-3518 • www.tsbrass.com

This Space for Architect/Engineer Approval

Job Name _____ Date _____

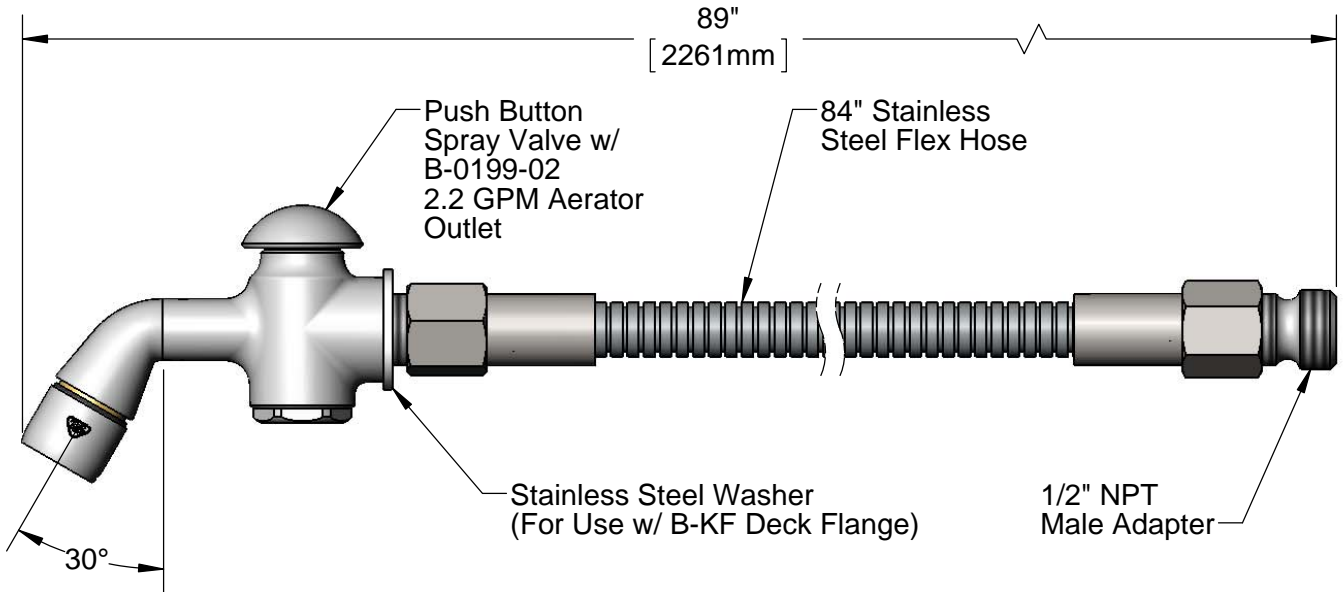
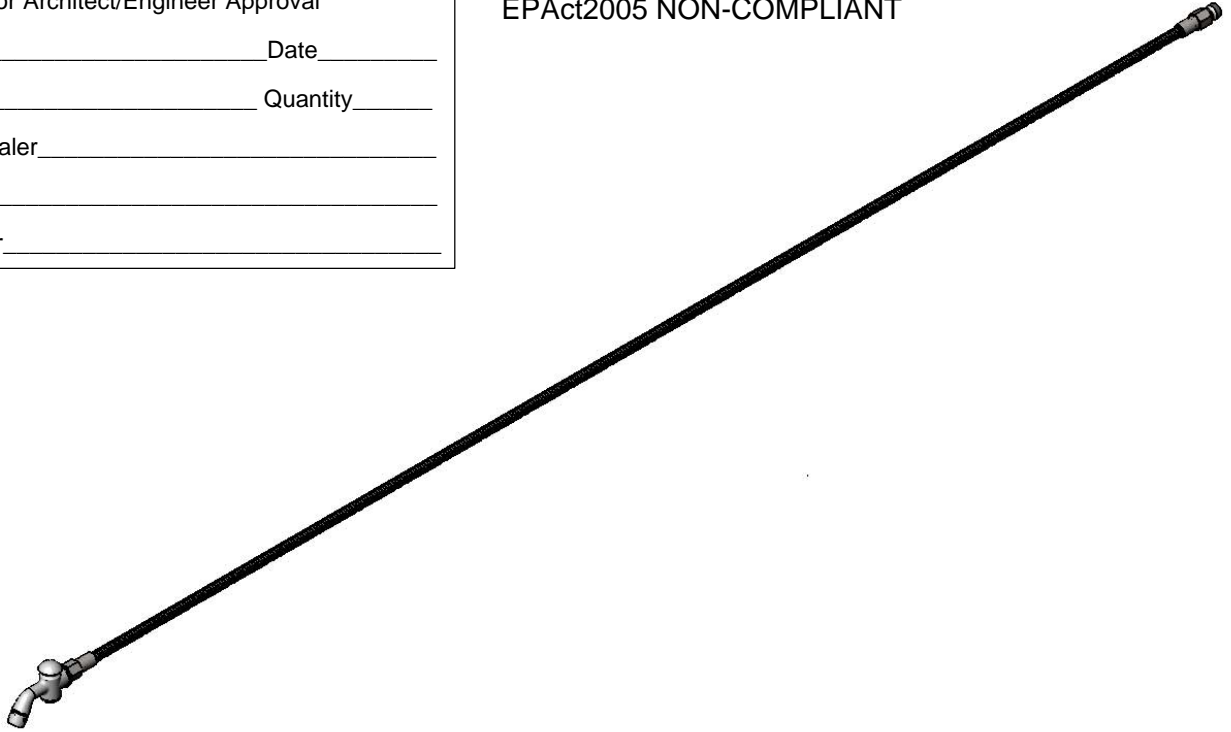
Model Specified _____ Quantity _____

Customer/Wholesaler _____

Contractor _____

Architect/Engineer _____

EPAAct2005 NON-COMPLIANT



Product Specifications:
 Push Button Spray Valve w/ 2.2 GPM Aerator Outlet & 84" Stainless Steel Flex Hose

Drawn KJG	Checked DHL	Approved JHB
Scale: 1:2		Date: 01/11/13



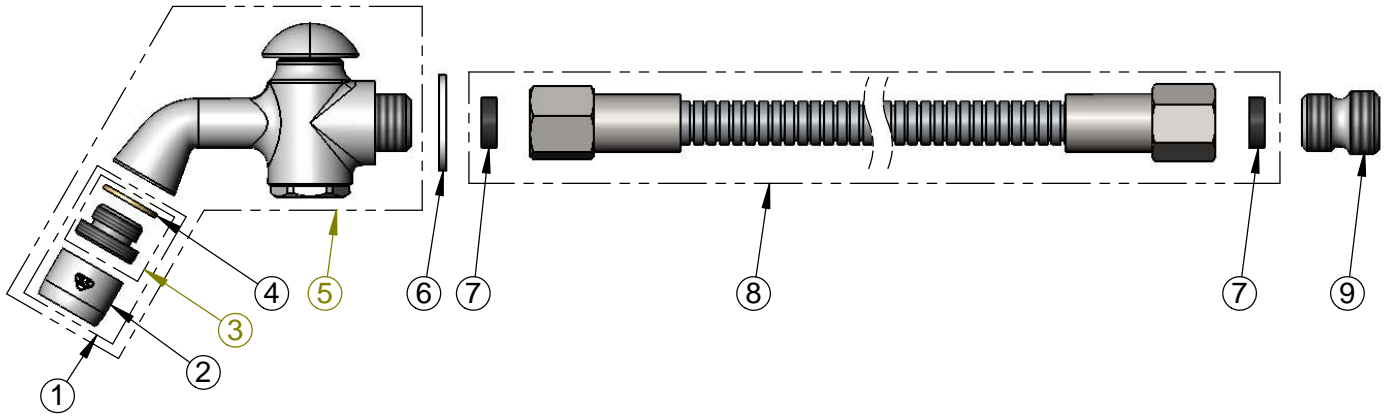
T&S BRASS AND BRONZE WORKS, INC.
 2 Saddleback Cove / P.O. Box 1088
 Travelers Rest, SC 29690

Model No.
B-0101-A84

Item No.

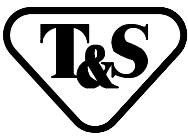
Travelers Rest, SC: 800-476-4103 • Simi Valley, CA: 800-423-0150 • Fax: 864-834-3518 • www.tsbrass.com

ITEM NO.	SALES NO.	DESCRIPTION
1	B-0199-02	2.2 GPM Aerator, 3/8" NPSM Male
2	B-0199-01	2.2 GPM Aerator, 55/64"-27UN Female
3	044A	3/8" to Aerator Adapter
4	001043-45	Washer
5	002858-40	Push Button Spray Valve w/ 2.2 GPM Aerator
6	001010-40	Washer, Stainless Steel
7	010476-45	#27 Washer
8	013E-84H	84" Stainless Steel Flex Hose
9	055A	Adapter, 1/2 NPT Male



Product Specifications:
 Push Button Spray Valve w/ 2.2 GPM Aerator Outlet & 84" Stainless Steel Flex Hose

Drawn KJG	Checked DHL	Approved JHB
Scale: NTS		Date: 01/11/13



T&S BRASS AND BRONZE WORKS, INC.
 2 SADDLEBACK COVE / P.O. BOX 1088 / TRAVELERS REST, SC 29690
 PHONE 800-476-4103 - FAX 864- 834-3518



Model No.

B-0101-B

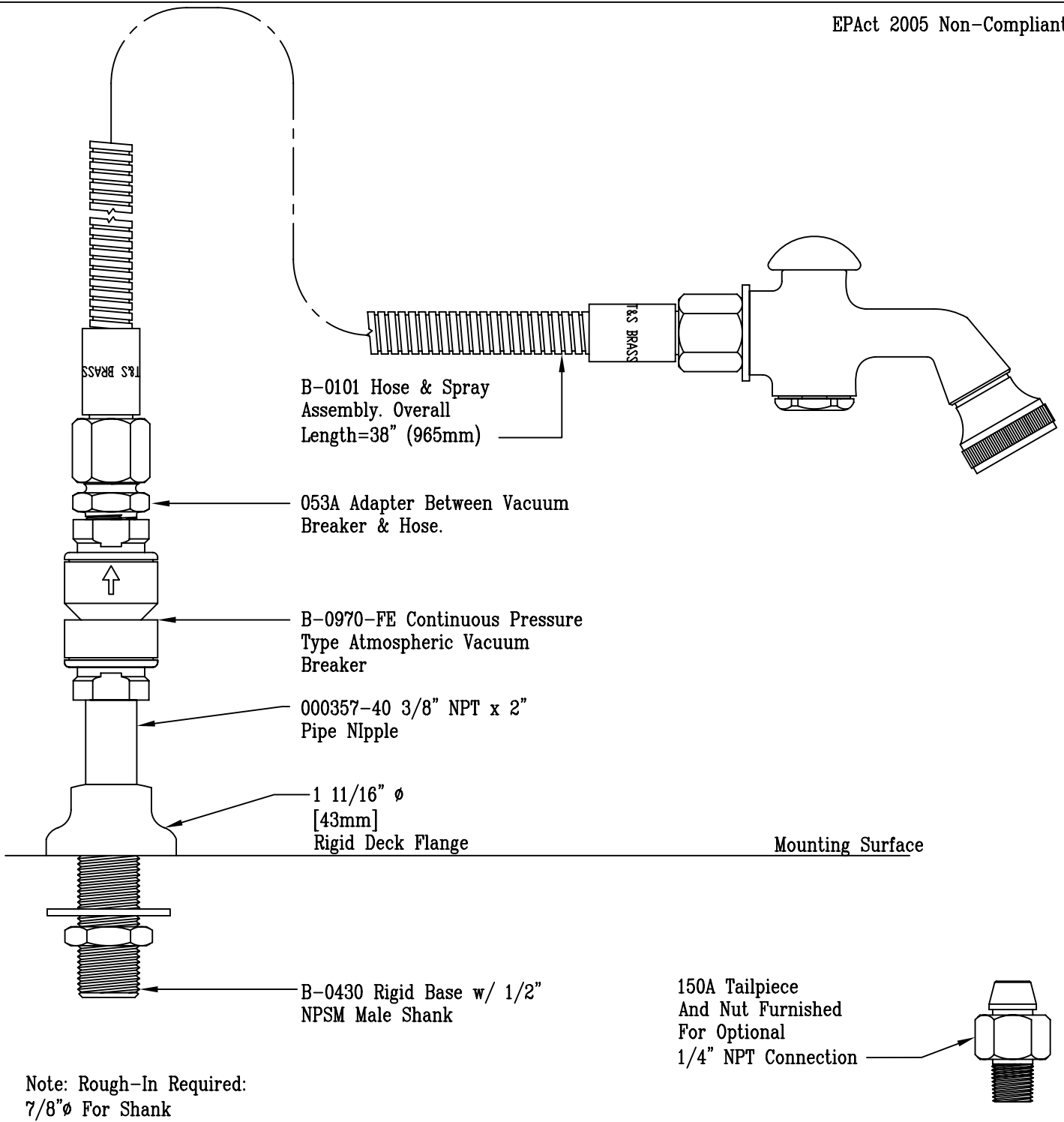
**RELIABILITY
BUILT IN**

Job Name:

Architect/Engineer Approval:

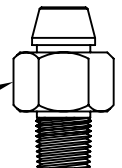
Notes:

EPAct 2005 Non-Compliant



Note: Rough-In Required:
7/8" ϕ For Shank

150A Tailpiece
And Nut Furnished
For Optional
1/4" NPT Connection



Product Description:

B-0430 Base w/ 2" Riser, Vacuum Breaker,
& B-0101 Hose & Spray Assembly

Drawn:

BHR

Approved

JHB

Checked

JRM

Scale:

1:2

Date:

8/17/07



T&S BRASS AND BRONZE WORKS, INC.
 2 Saddleback Cove / P.O. Box 1088
 Travelers Rest, SC 29690

Model No.
B-0101-BKF

Item No.

Travelers Rest, SC: 800-476-4103 • Simi Valley, CA: 800-423-0150 • Fax: 864-834-3518 • www.tsbrass.com

This Space for Architect/Engineer Approval

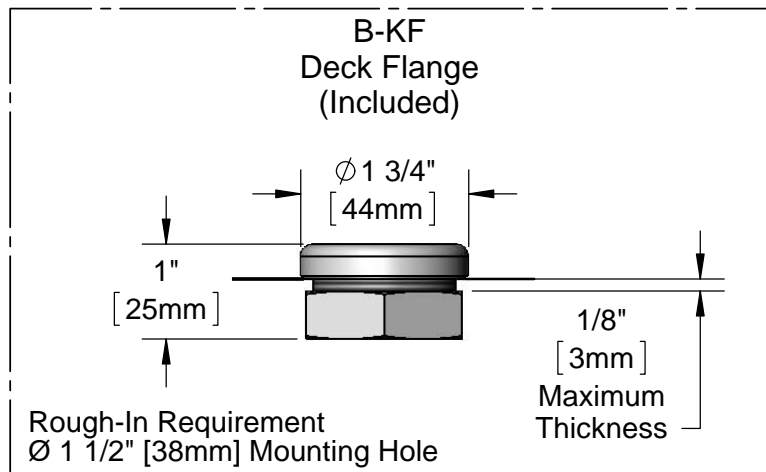
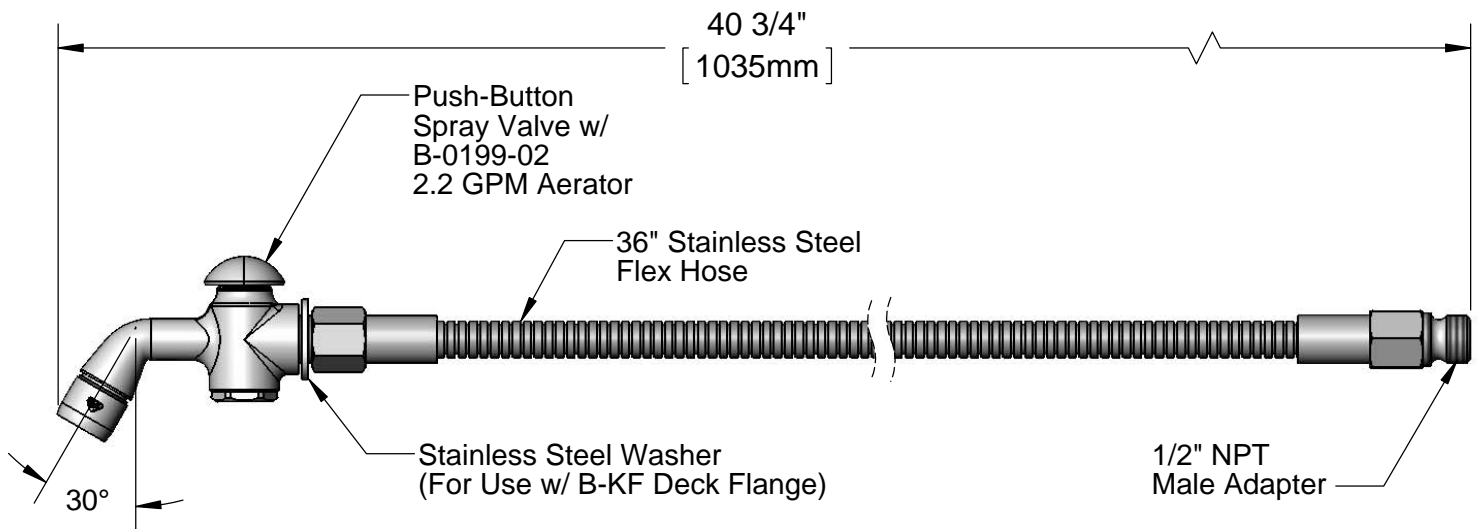
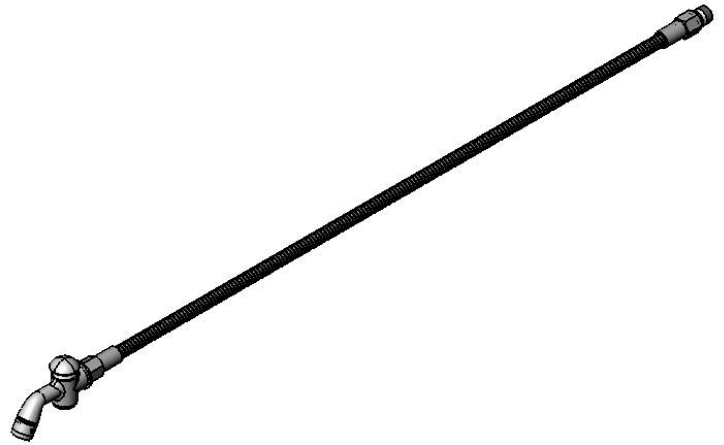
Job Name _____ Date _____

Model Specified _____ Quantity _____

Customer/Wholesaler _____

Contractor _____

Architect/Engineer _____



Product Specifications:
 Push-Button Spray Valve w/ 2.2 GPM Aerator Outlet,
 36" Stainless Steel Flex Hose & B-KF Deck Flange

Product Compliance:
 ASME A112.18.1 / CSA B125.1
 NSF 61 - Section 9
 NSF 372 (Low Lead Content)
 EPA Act 2005 Non-Compliant (PRSV)



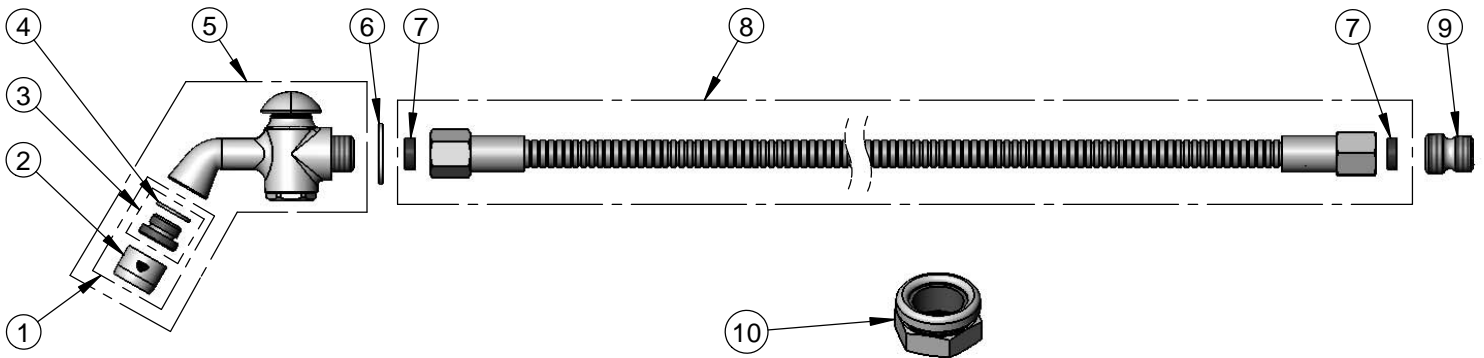
T&S BRASS AND BRONZE WORKS, INC.
 2 Saddleback Cove / P.O. Box 1088
 Travelers Rest, SC 29690

Model No.
B-0101-BKF

Item No.

Travelers Rest, SC: 800-476-4103 • Simi Valley, CA: 800-423-0150 • Fax: 864-834-3518 • www.tsbrass.com

ITEM NO.	SALES NO.	DESCRIPTION
1	B-0199-02	2.2 GPM Aerator, 3/8" NPSM Male
2	B-0199-01	2.2 GPM Aerator, 55/64"-27 UN Female
3	044A	3/8" to Aerator Adapter
4	001043-45	Washer
5	002858-40	Push-Button Spray Valve w/ 2.2 GPM Aerator
6	001010-40	Washer, Stainless Steel
7	010476-45	#27 Washer
8	013E-36H	36" Stainless Steel Flex Hose
9	055A	Adapter, 1/2 NPT Male
10	B-KF	Deck Flange



Product Specifications:
 Push-Button Spray Valve w/ 2.2 GPM Aerator Outlet,
 36" Stainless Steel Flex Hose & B-KF Deck Flange

Product Compliance:
 ASME A112.18.1 / CSA B125.1
 NSF 61 - Section 9
 NSF 372 (Low Lead Content)
 EPA Act 2005 Non-Compliant (PRSV)



T&S BRASS AND BRONZE WORKS, INC.
 2 Saddleback Cove / P.O. Box 1088
 Travelers Rest, SC 29690

Model No.
B-0101-E72-053A

Item No.

Travelers Rest, SC: 800-476-4103 • Simi Valley, CA: 800-423-0150 • Fax: 864-834-3518 • www.tsbrass.com

This Space for Architect/Engineer Approval

Job Name _____ Date _____

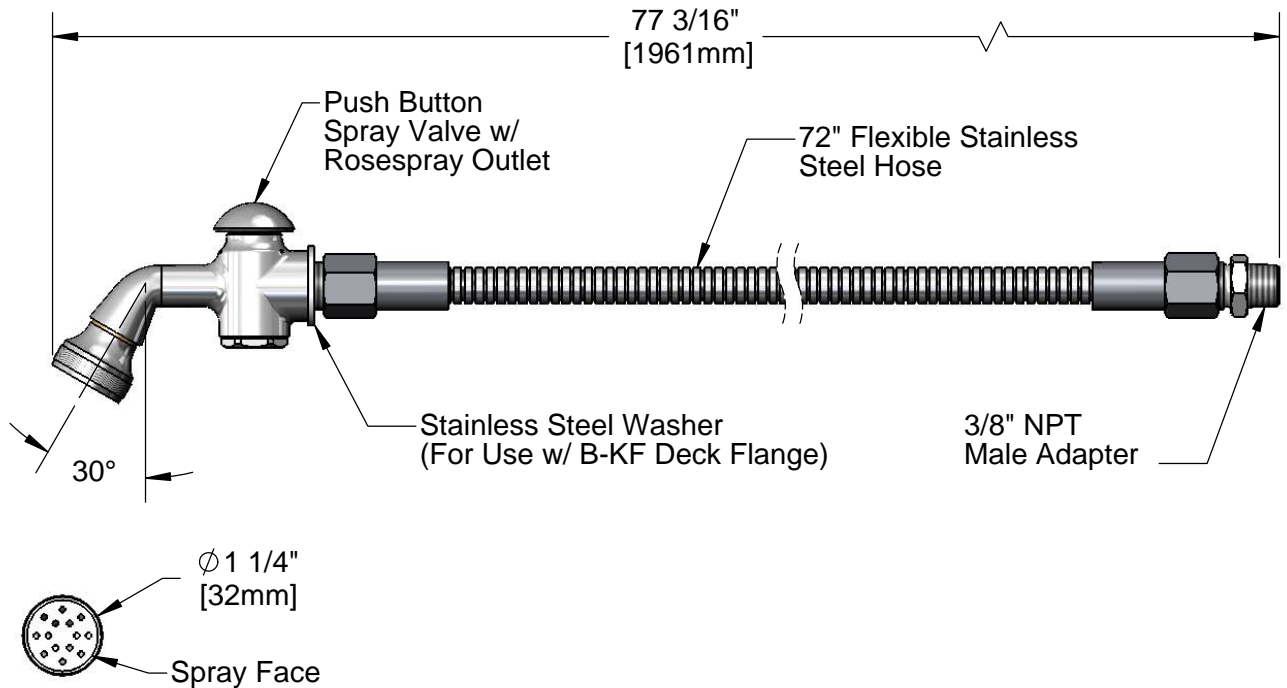
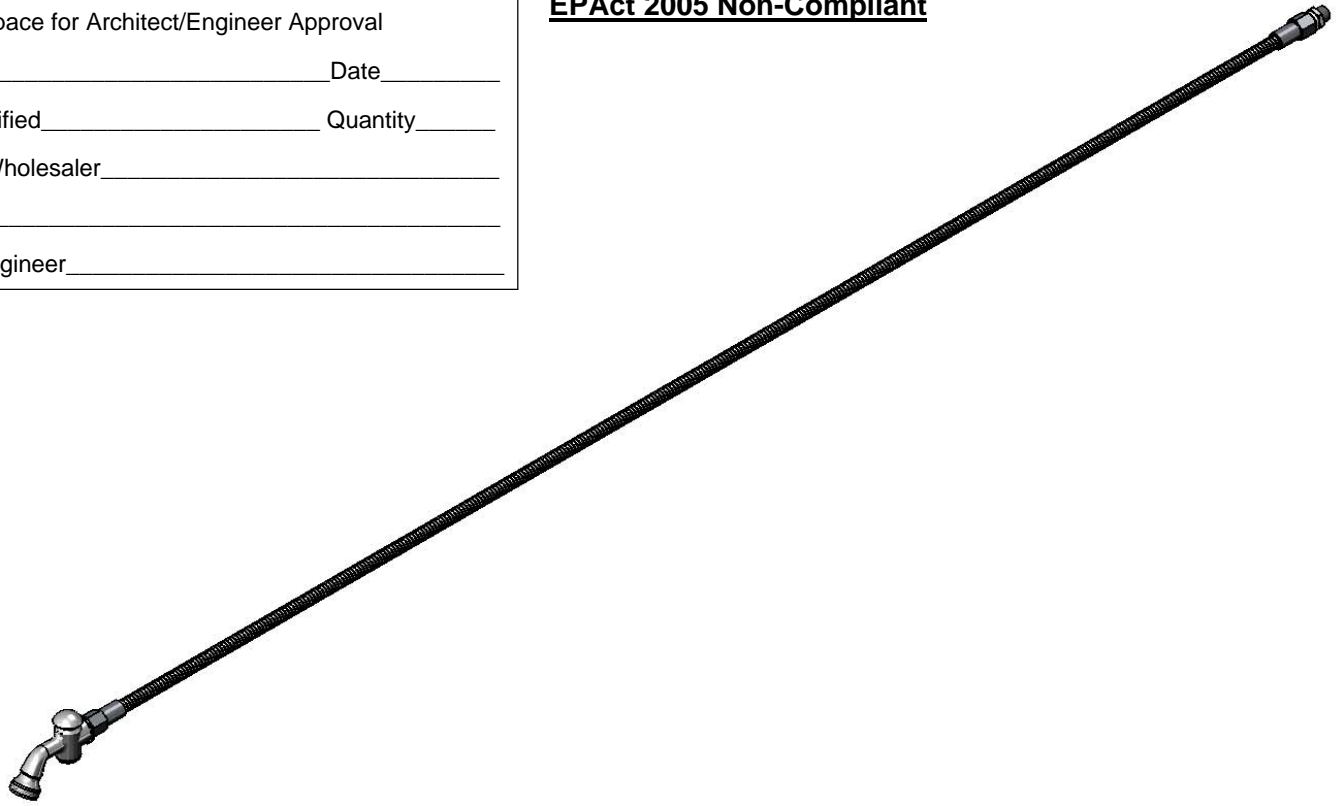
Model Specified _____ Quantity _____

Customer/Wholesaler _____

Contractor _____

Architect/Engineer _____

EPAct 2005 Non-Compliant



Product Specifications:
 Spray Valve w/ Rosespray Outlet & 72" Flexible Stainless Steel Hose

Drawn KJG	Checked DMH	Approved JHB
Scale: 1:3		Date: 01/28/14



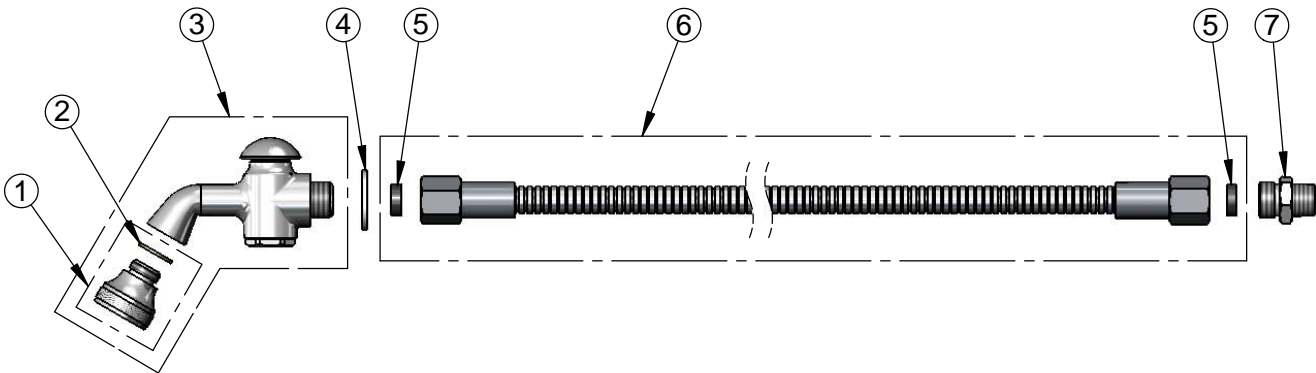
T&S BRASS AND BRONZE WORKS, INC.
 2 Saddleback Cove / P.O. Box 1088
 Travelers Rest, SC 29690

Model No.
B-0101-E72-053A

Item No.

Travelers Rest, SC: 800-476-4103 • Simi Valley, CA: 800-423-0150 • Fax: 864-834-3518 • www.tsbrass.com

ITEM NO.	SALES NO.	DESCRIPTION
1	B-0103	Spray Head Assembly
2	001043-45	Washer
3	002857-40	Spray Valve Assembly w/ Rosespray Outlet
4	001010-40	Washer, Stainless Steel
5	010476-45	#27 Washer
6	013E-72H	Flex Stainless Steel Hose, 72"
7	053A	Adapter, 3/8" NPT Male



Product Specifications:
 Spray Valve w/ Rosespray Outlet & 72" Flexible Stainless Steel Hose

Drawn KJG	Checked DMH	Approved JHB
---------------------	-----------------------	------------------------

Scale: NTS	Date: 01/28/14
----------------------	--------------------------



T&S BRASS AND BRONZE WORKS, INC.
 2 Saddleback Cove / P.O. Box 1088
 Travelers Rest, SC 29690

Model No.
B-0101-ENP

Item No.

Travelers Rest, SC: 800-476-4103 • Simi Valley, CA: 800-423-0150 • Fax: 864-834-3518 • www.tsbrass.com

EPAct 2005 Non-Compliant

This Space for Architect/Engineer Approval

Job Name _____ Date _____

Model Specified _____ Quantity _____

Customer/Wholesaler _____

Contractor _____

Architect/Engineer _____



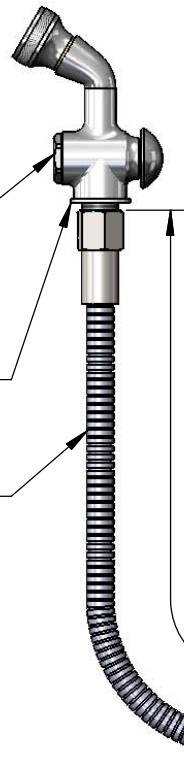
Ø 1 1/4"
 [32mm]
 Spray Face

Ø 2"
 [50mm]
 Flange

Push Button
 Spray Valve w/
 Rosespray Outlet

Stainless Steel
 Washer (For Use
 w/ B-KF Deck Flange)

28" Flexible Stainless
 Steel Hose

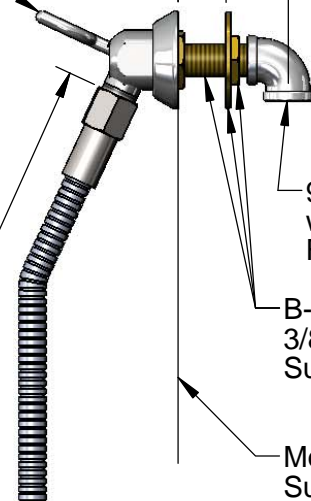


B-0104
 Wall Hook

2 5/16"
 [58mm]

1"
 [25mm]
 Maximum
 Thickness

28"
 [711mm]



90° Elbow
 w/ 3/8" NPT
 Female Inlet

B-0428
 3/8" NPT
 Supply Nipple

Mounting
 Surface

Rough-In Requirement:
 Ø 1" [25mm] Mounting Hole

Product Specifications:
 Spray Valve w/ 28" Flexible Stainless Steel Hose, Wall Hook,
 3/8" NPT Supply Nipple & 3/8" NPT Elbow

Drawn
KJG

Checked
DMH

Approved
JHB

Scale:
1:4

Date:
01/28/14



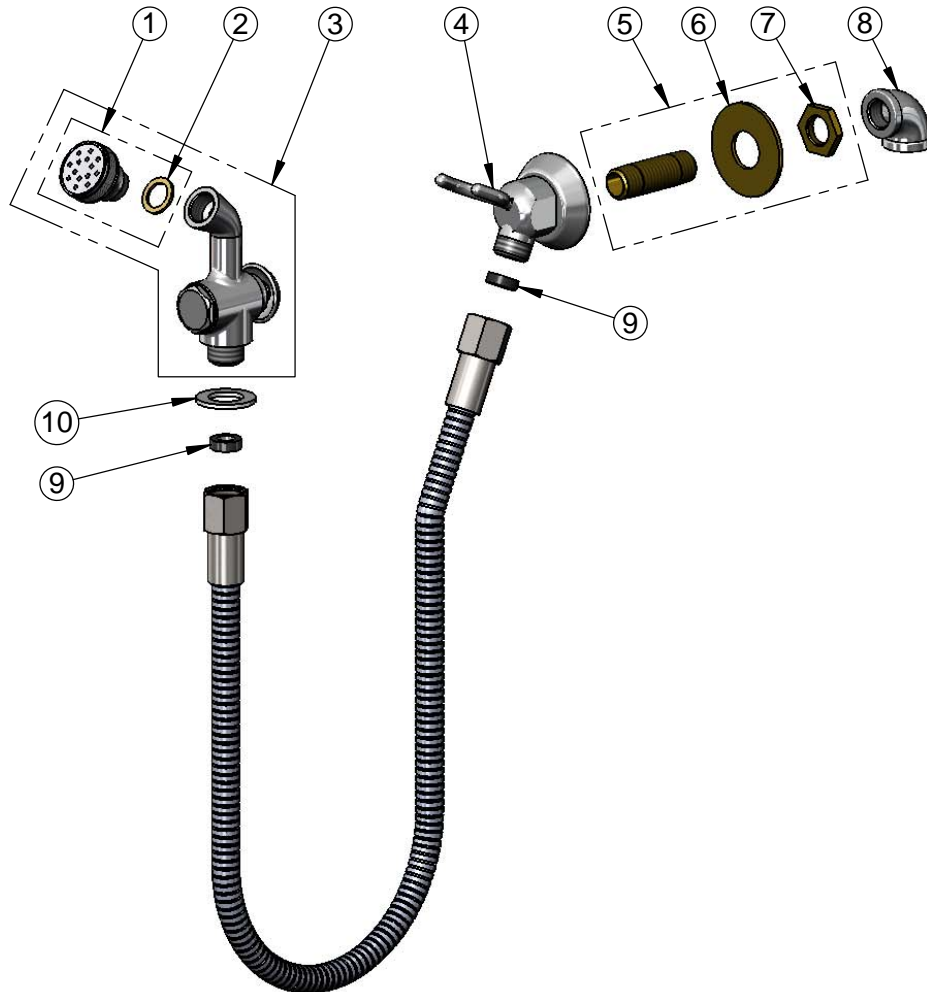
T&S BRASS AND BRONZE WORKS, INC.
 2 Saddleback Cove / P.O. Box 1088
 Travelers Rest, SC 29690

Model No.
B-0101-ENP

Item No.

Travelers Rest, SC: 800-476-4103 • Simi Valley, CA: 800-423-0150 • Fax: 864-834-3518 • www.tsbrass.com

ITEM NO.	SALES NO.	DESCRIPTION
1	B-0103	Spray Head
2	001043-45	Washer
3	002857-40	Spray Valve w/ Rosespray Outlet
4	B-0104	Wall Hook w/ 3/4-14UN Outlet
5	B-0428	3/8" NPT Supply Nipple
6	000998-45	Washer
7	000969-45	Nut, Lock, 3/8" NPSL, Brass
8	001355-40	Elbow, 3/8 NPT
9	010476-45	#27 Washer
10	001010-40	Washer, Stainless Steel



Product Specifications:
 Spray Valve w/ 28" Flexible Stainless Steel Hose, Wall Hook,
 3/8" NPT Supply Nipple & 3/8" NPT Elbow

Drawn KJG	Checked DMH	Approved JHB
Scale: NTS		Date: 01/28/14