



T&S BRASS AND BRONZE WORKS, INC.

2 Saddleback Cove / P.O. Box 1088
Travelers Rest, SC 29690

Model No.

B-0325

Item No.

Travelers Rest, SC: 800-476-4103 • Simi Valley, CA: 800-423-0150 • Fax: 864-834-3518 • www.tsbrass.com



ADA Compliant

This Space for Architect/Engineer Approval

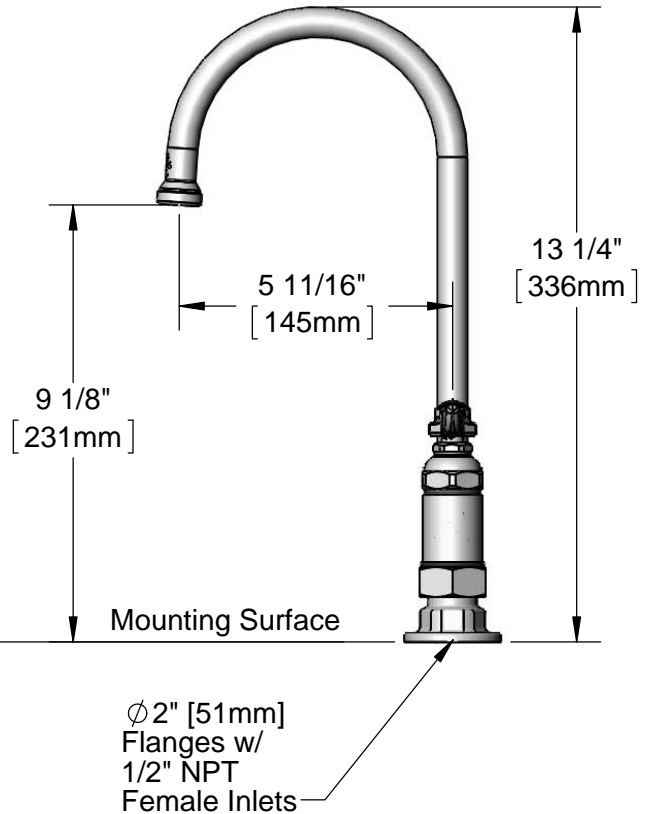
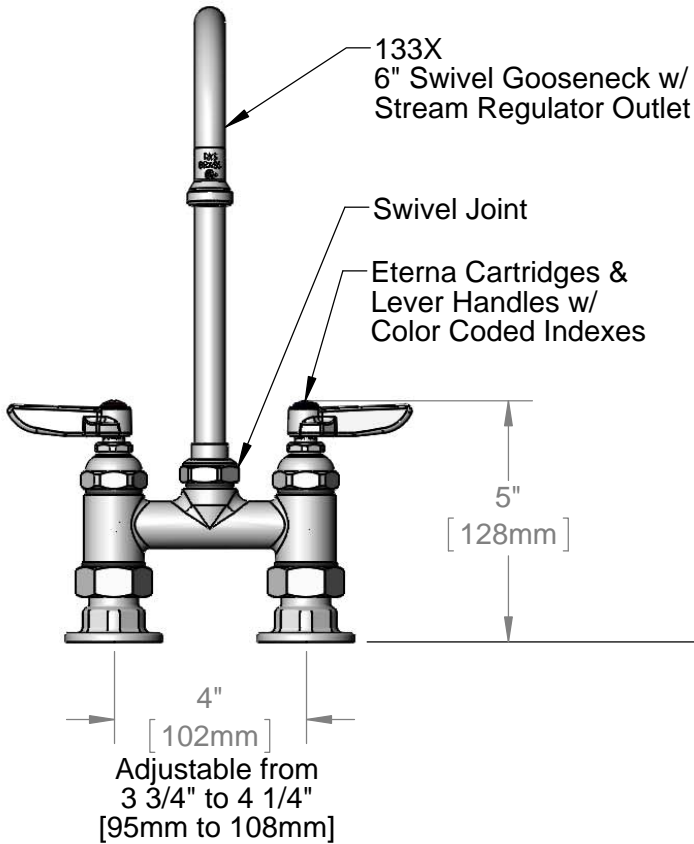
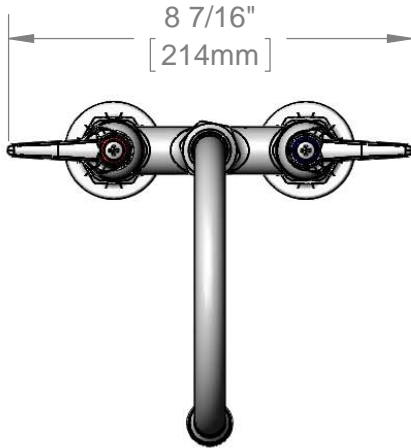
Job Name _____ Date _____

Model Specified _____ Quantity _____

Customer/Wholesaler _____

Contractor _____

Architect/Engineer _____



Product Specifications:

4" Deck Mount Mixing Faucet, Eterna Cartridges, Lever Handles, 6" Swivel Gooseneck, & 1/2" NPT Female Inlets

Product Compliance:

ASME A112.18.1 / CSA B125.1
NSF 61 - Section 9
NSF 372 (Low Lead Content)
ANSI A117.1 (ADA)

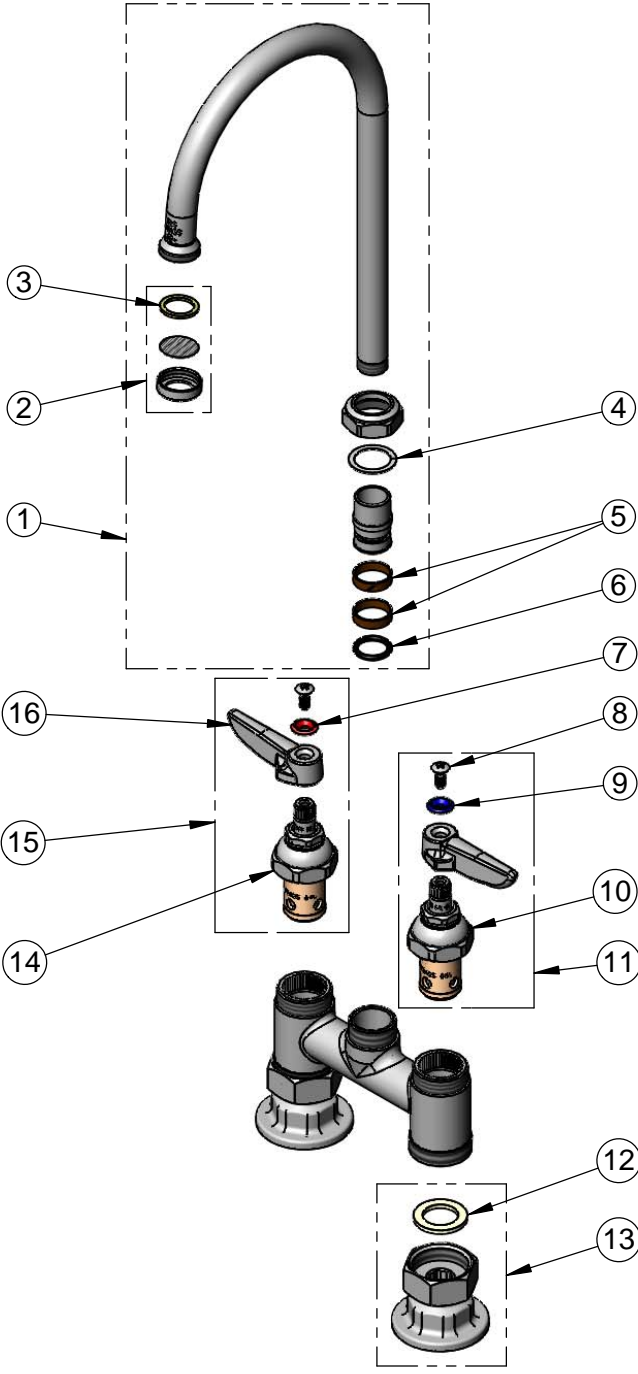


T&S BRASS AND BRONZE WORKS, INC.
 2 Saddleback Cove / P.O. Box 1088
 Travelers Rest, SC 29690

Model No.
B-0325

Item No.

Travelers Rest, SC: 800-476-4103 • Simi Valley, CA: 800-423-0150 • Fax: 864-834-3518 • www.tsbrass.com



ITEM NO.	SALES NO.	DESCRIPTION
1	133X	6" Swivel Gooseneck
2	B-PT	Stream Regulator Outlet
3	001048-45	Nozzle Tip Washer
4	009538-45	Swivel Washer
5	011429-45	Swivel Sleeves (2)
6	001074-45	O-Ring
7	001661-45	Red Index-HW
8	000922-45	Lever Handle Screw
9	001660-45	Blue Index-CW
10	005959-40	Eterna Cartridge, LTC
11	002713-40	Eterna Cartridge, LTC w/ Handle, Index & Screw
12	001019-45	Coupling Nut Washer
13	00AA	1/2" NPT Female Eccentric Flange
14	005960-40	Eterna Cartridge, RTC
15	002714-40	Eterna Cartridge, RTC w/ Handle, Index & Screw
16	001638-45	Lever Handle

Product Specifications:

4" Deck Mount Mixing Faucet, Eterna Cartridges, Lever Handles, 6" Swivel Gooseneck, & 1/2" NPT Female Inlets

Product Compliance:

ASME A112.18.1 / CSA B125.1
 NSF 61 - Section 9
 NSF 372 (Low Lead Content)
 ANSI A117.1 (ADA)



T&S BRASS AND BRONZE WORKS, INC.

2 Saddleback Cove / P.O. Box 1088
Travelers Rest, SC 29690

Model No.

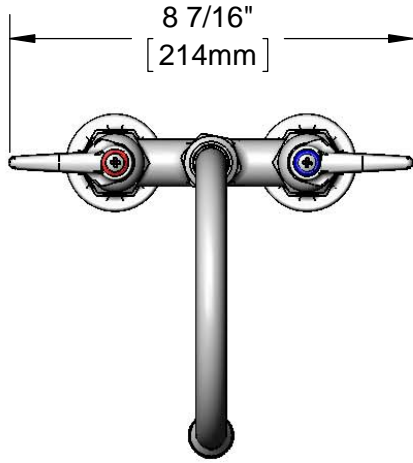
B-0325-CR

Item No.

Travelers Rest, SC: 800-476-4103 • Simi Valley, CA: 800-423-0150 • Fax: 864-834-3518 • www.tsbrass.com



ADA Compliant



This Space for Architect/Engineer Approval

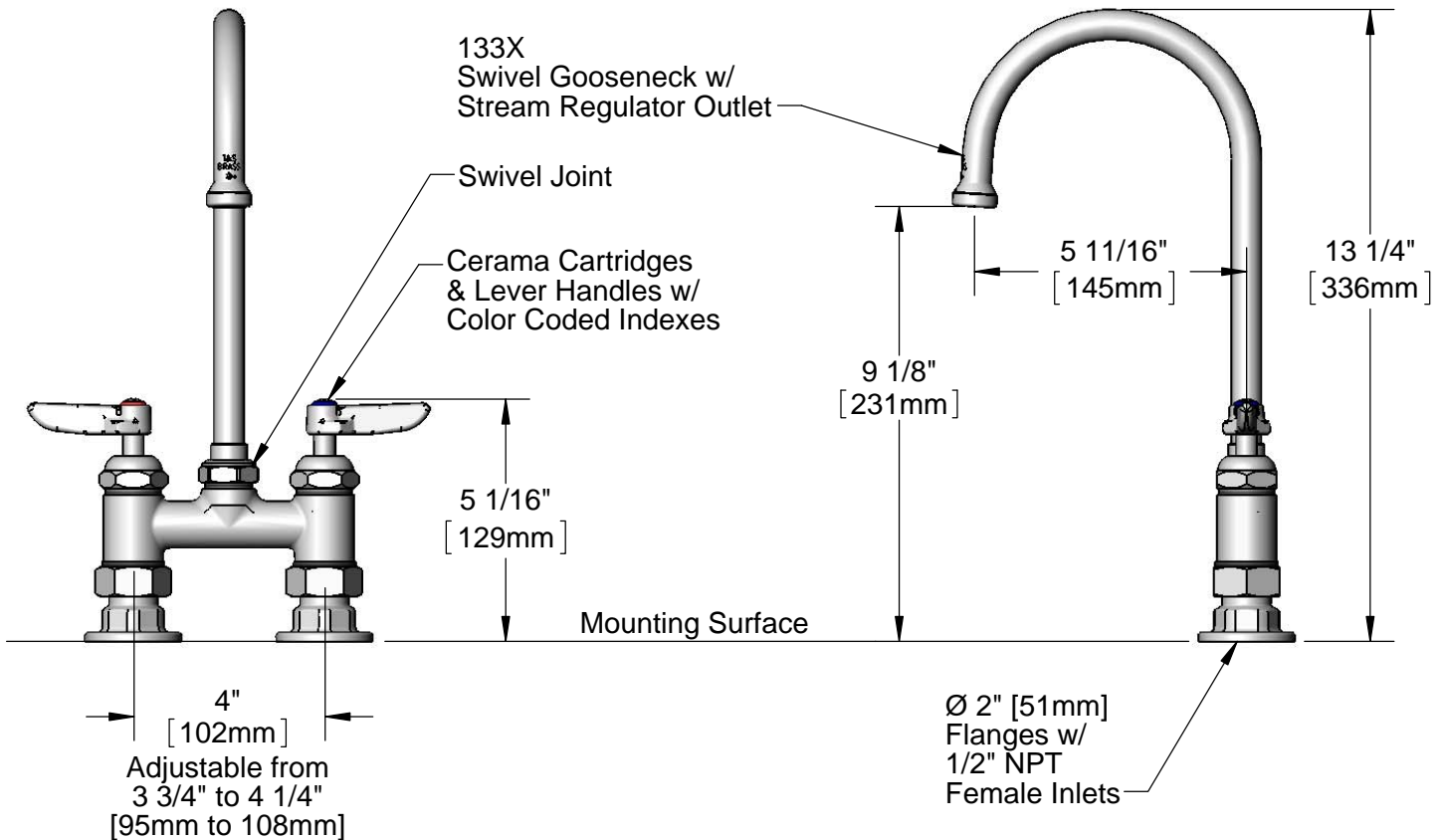
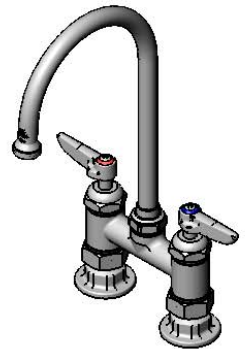
Job Name _____ Date _____

Model Specified _____ Quantity _____

Customer/Wholesaler _____

Contractor _____

Architect/Engineer _____



Product Specifications:

4" Deck Mount Mixing Faucet, Cerama Cartridges, Lever Handles, Swivel Gooseneck w/ Stream Regulator Outlet & 1/2" NPT Female Inlets

Product Compliance:

ASME A112.18.1 / CSA B125.1
NSF 61 - Section 9
NSF 372 (Low Lead Content)
ANSI A117.1 (ADA)

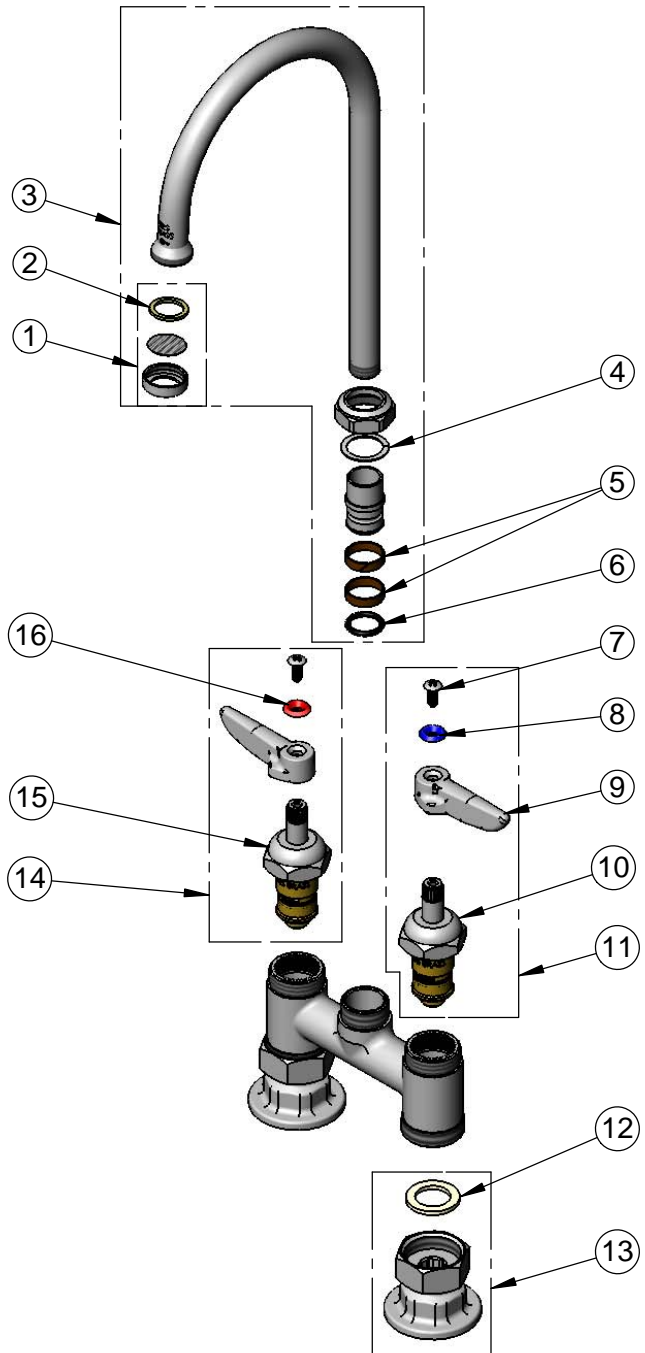


T&S BRASS AND BRONZE WORKS, INC.
 2 Saddleback Cove / P.O. Box 1088
 Travelers Rest, SC 29690

Model No.
B-0325-CR

Item No.

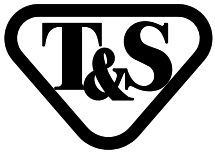
Travelers Rest, SC: 800-476-4103 • Simi Valley, CA: 800-423-0150 • Fax: 864-834-3518 • www.tsbrass.com



ITEM NO.	SALES NO.	DESCRIPTION
1	B-PT	Stream Regulator Outlet
2	001048-45	Nozzle Tip Washer
3	133X	Swivel Gooseneck
4	009538-45	Swivel Washer
5	011429-45	Swivel Sleeves (2)
6	001074-45	O-Ring
7	000922-45	Lever Handle Screw
8	001660-45	Blue Index-CW
9	001638-45	Lever Handle
10	011279-25	Cerama Cartridge, LTC
11	012445-25	Cerama Cartridge, LTC w/ Handle, Index & Screw
12	001019-45	Coupling Nut Washer
13	00AA	1/2" NPT Female Eccentric Flange
14	012444-25	Cerama Cartridge, RTC w/ Handle, Index & Screw
15	011278-25	Cerama Cartridge, RTC
16	001661-45	Red Index-HW

Product Specifications:
 4" Deck Mount Mixing Faucet, Cerama Cartridges, Lever Handles,
 Swivel Gooseneck w/ Stream Regulator Outlet & 1/2" NPT Female Inlets

Product Compliance:
 ASME A112.18.1 / CSA B125.1
 NSF 61 - Section 9
 NSF 372 (Low Lead Content)
 ANSI A117.1 (ADA)



T&S BRASS AND BRONZE WORKS, INC.

2 Saddleback Cove / P.O. Box 1088
Travelers Rest, SC 29690

Model No.

B-0325-A22

Item No.

Travelers Rest, SC: 800-476-4103 • Simi Valley, CA: 800-423-0150 • Fax: 864-834-3518 • www.tsbrass.com



ADA Compliant

This Space for Architect/Engineer Approval

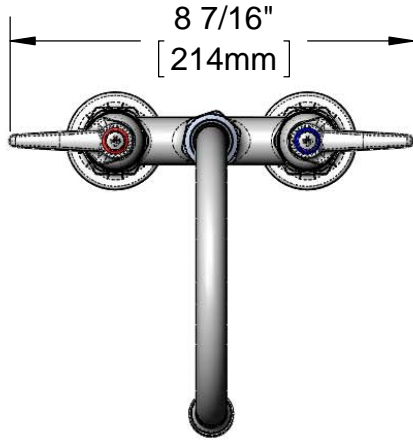
Job Name _____ Date _____

Model Specified _____ Quantity _____

Customer/Wholesaler _____

Contractor _____

Architect/Engineer _____



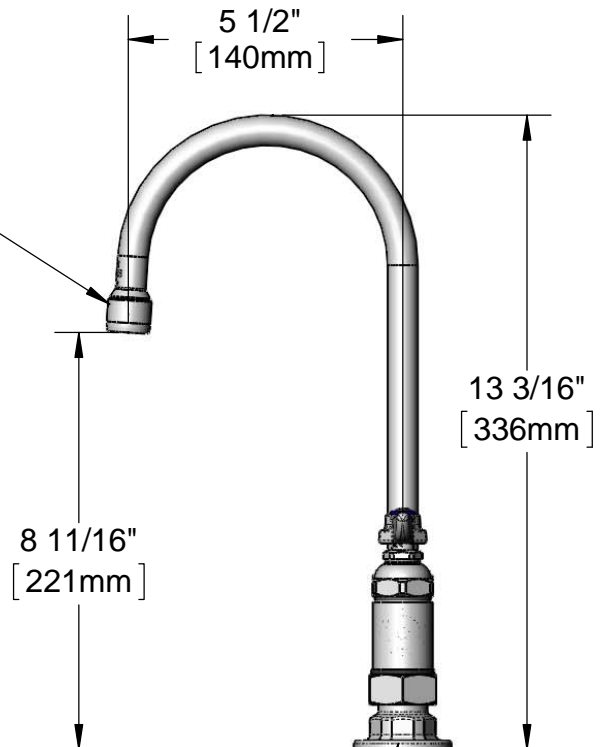
8 7/16"

[214mm]

Swivel Gooseneck w/
B-0199-01
2.2 GPM Aerator

Eterna Cartridges &
Lever Handles w/
Color Coded Indexes

Mounting Surface



5 1/2"

[140mm]

13 3/16"

[336mm]

8 11/16"

[221mm]

Ø 2" [51mm]

Flanges w/

1/2" NPT
Female Inlets

4"
[102mm]

Adjustable from
3 3/4" to 4 1/4"
[95mm to 108mm]

Note: Rough-In Requirement

Ø 1" [25mm] Mounting Holes

Product Specifications:

4" c/c Double Pantry Faucet, Eterna Cartridges, Swivel Gooseneck w/ 2.2 GPM Aerator, Lever Handles & 1/2" NPT Female Inlets

Drawn

KJG

Checked

DMH

Approved

JHB

Scale:

1:4

Date:

04/12/12



T&S BRASS AND BRONZE WORKS, INC.

2 Saddleback Cove / P.O. Box 1088
Travelers Rest, SC 29690

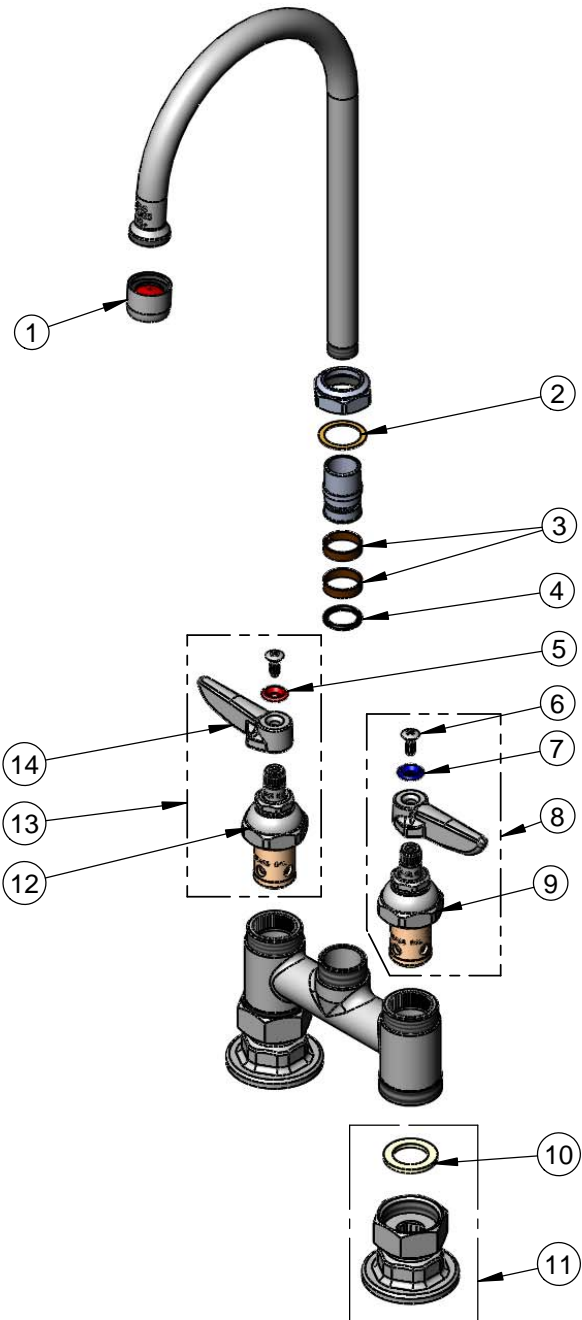
Model No.

B-0325-A22

Item No.

Travelers Rest, SC: 800-476-4103 • Simi Valley, CA: 800-423-0150 • Fax: 864-834-3518 • www.tsbrass.com

ITEM NO.	SALES NO.	DESCRIPTION
1	B-0199-01	2.2 GPM Aerator, Female
2	009538-45	Swivel Washer
3	011429-45	Swivel Sleeves (2)
4	001074-45	O-Ring
5	001661-45	Red Index-HW
6	000922-45	Lever Handle Screw
7	001660-45	Blue Index-CW
8	002713-40	Eterna Cartridge LTC w/ Handle, Index & Screw
9	005959-40	Eterna Cartridge, LTC
10	001019-45	Coupling Nut Washer
11	00AA	Flange Assembly
12	005960-40	Eterna Cartridge, RTC
13	002714-40	Eterna Cartridge RTC w/ Handle, Index & Screw
14	001638-45	Lever Handle



Product Specifications:
4" c/c Double Pantry Faucet, Eterna Cartridges, Swivel
Gooseneck w/ 2.2 GPM Aerator, Lever Handles &
1/2" NPT Female Inlets

Drawn

KJG

Checked

DMH

Approved

JHB

Scale:

NTS

Date:

04/12/12



T&S BRASS AND BRONZE WORKS, INC.

2 Saddleback Cove / P.O. Box 1088
Travelers Rest, SC 29690



REG. #A2601
ISO #9001

Model No.

B-0325-NPL

Item No.

Travelers Rest, SC: 800-476-4103 Simi Valley, CA: 800-423-0150 Fax: 864-834-3518 www.tsbrass.com

This Space for Architect/Engineer Approval

Job Name _____ Date _____

Model Specified _____ Quantity _____

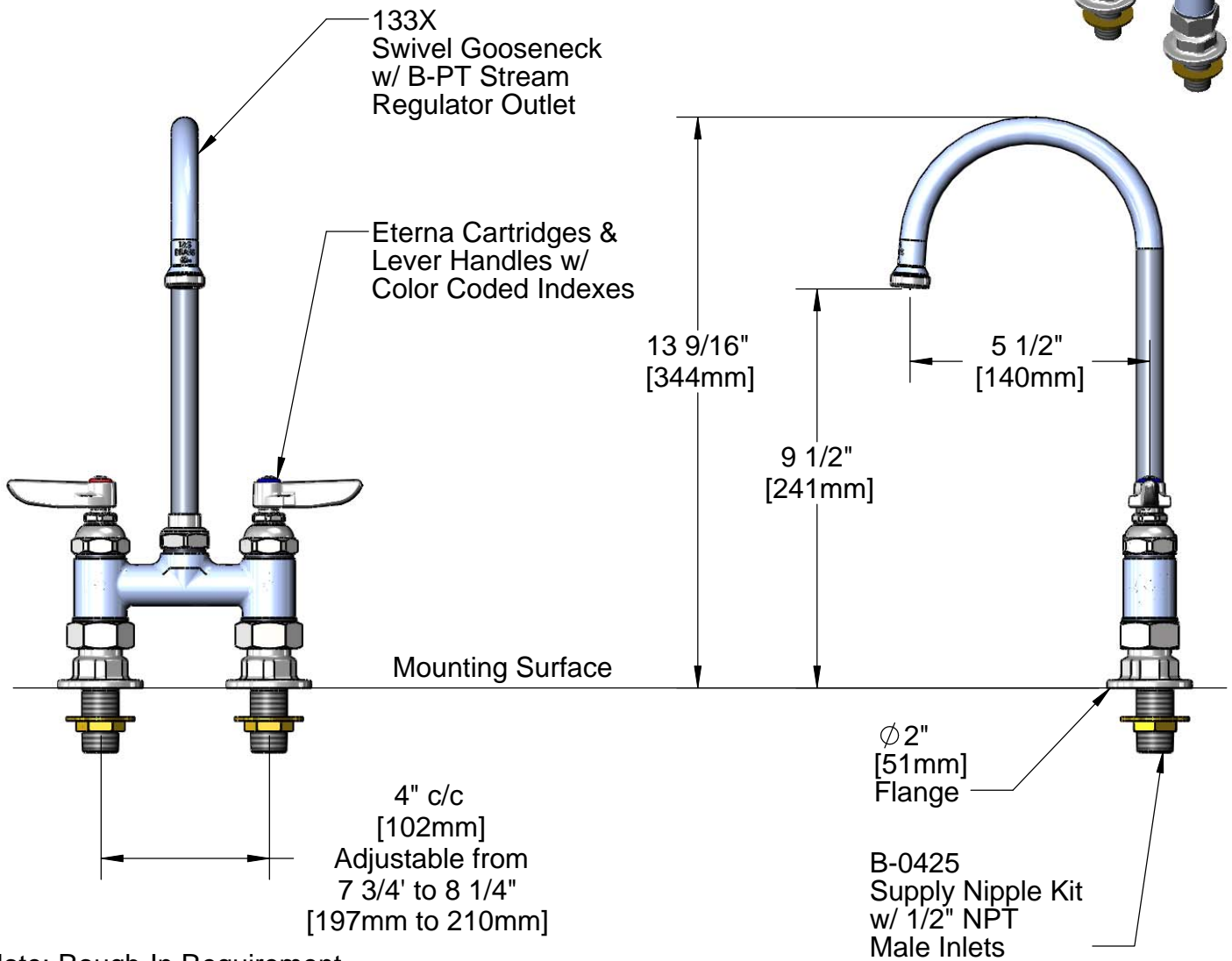
Customer/Wholesaler _____

Contractor _____

Architect/Engineer _____



ADA Compliant



Note: Rough-In Requirement
(2) Ø 1" [25mm] Mounting Holes

Product Specifications:

8" c/c Double Deck Pantry Mixing Faucet w/ Eterna Cartridges, Lever Handles, Swivel Gooseneck, Stream Regulator Outlet, & 1/2" NPT Male Supply Nipples

Drawn
KJG

Checked
DHL

Approved
JHB

Scale:

1:4

Date:

12/17/10



T&S BRASS AND BRONZE WORKS, INC.

2 Saddleback Cove / P.O. Box 1088
Travelers Rest, SC 29690



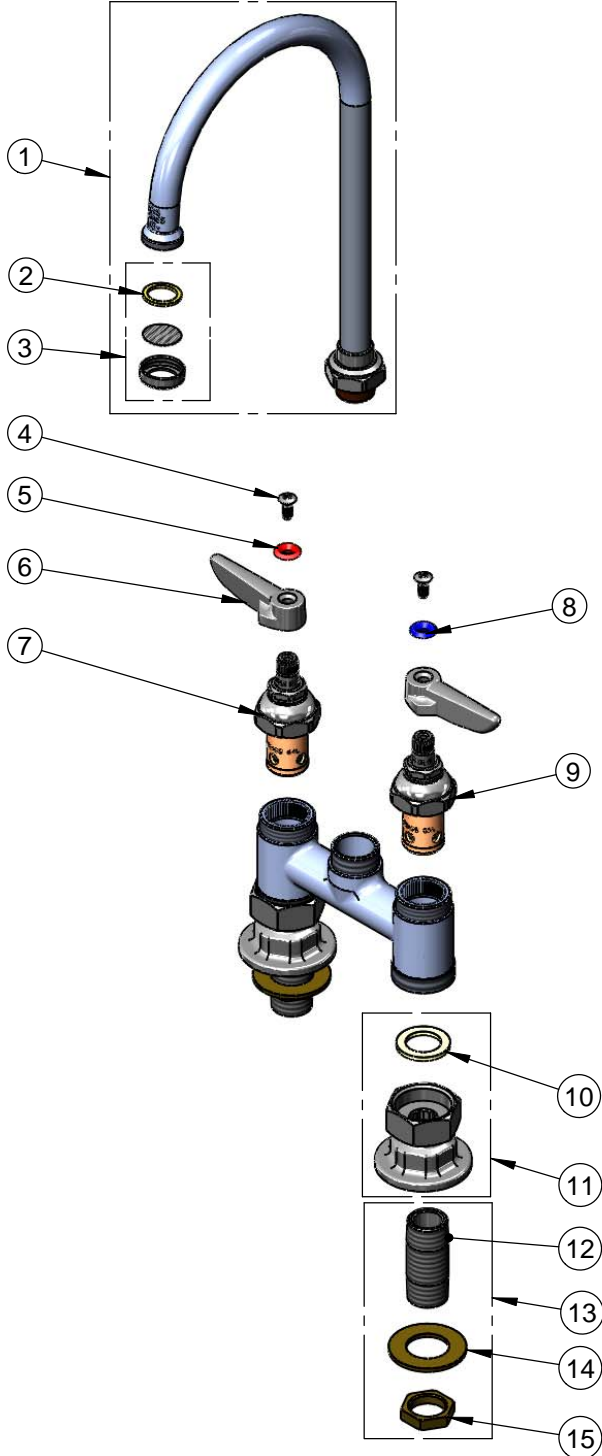
REG. #A2601
ISO #9001

Model No.

B-0325-NPL

Item No.

Travelers Rest, SC: 800-476-4103 Simi Valley, CA: 800-423-0150 Fax: 864-834-3518 www.tsbrass.com



ITEM NO.	SALES NO.	DESCRIPTION
1	133X	Swivel Gooseneck
2	001048-45	Nozzle Tip Washer
3	B-PT	Stream Regulator Outlet
4	000922-45	Lever Handle Screw
5	001661-45	Red Index-HW
6	001638-45	Lever Handle
7	005960-40	Spindle Asm, Eterna "Hot"
8	001660-45	Blue Index-CW
9	005959-40	Spindle Asm. Eterna "Cold"
10	001019-45	Coupling Nut Washer
11	00AA	Falange Assembly
12	000422-20	Nipple, 1/2" NPT
13	B-0425	Supply Nipple Kit, 1/2" NPT
14	000999-45	Brass Lock Washer
15	002954-45	Shank Lock Nut

Product Specifications:

8" c/c Double Deck Pantry Mixing Faucet w/ Eterna Cartridges, Lever Handles, Swivel Gooseneck, Stream Regulator Outlet, & 1/2" NPT Male Supply Nipples

Drawn KJG	Checked DHL	Approved JHB
Scale: NTS		Date: 12/17/10



T&S BRASS AND BRONZE WORKS, INC.

2 Saddleback Cove / P.O. Box 1088
Travelers Rest, SC 29690

Model No.

B-0325-CC-CR

Item No.

Travelers Rest, SC: 800-476-4103 Simi Valley, CA: 800-423-0150 Fax: 864-834-3518 www.tsbrass.com

This Space for Architect/Engineer Approval

Job Name _____ Date _____

Model Specified _____ Quantity _____

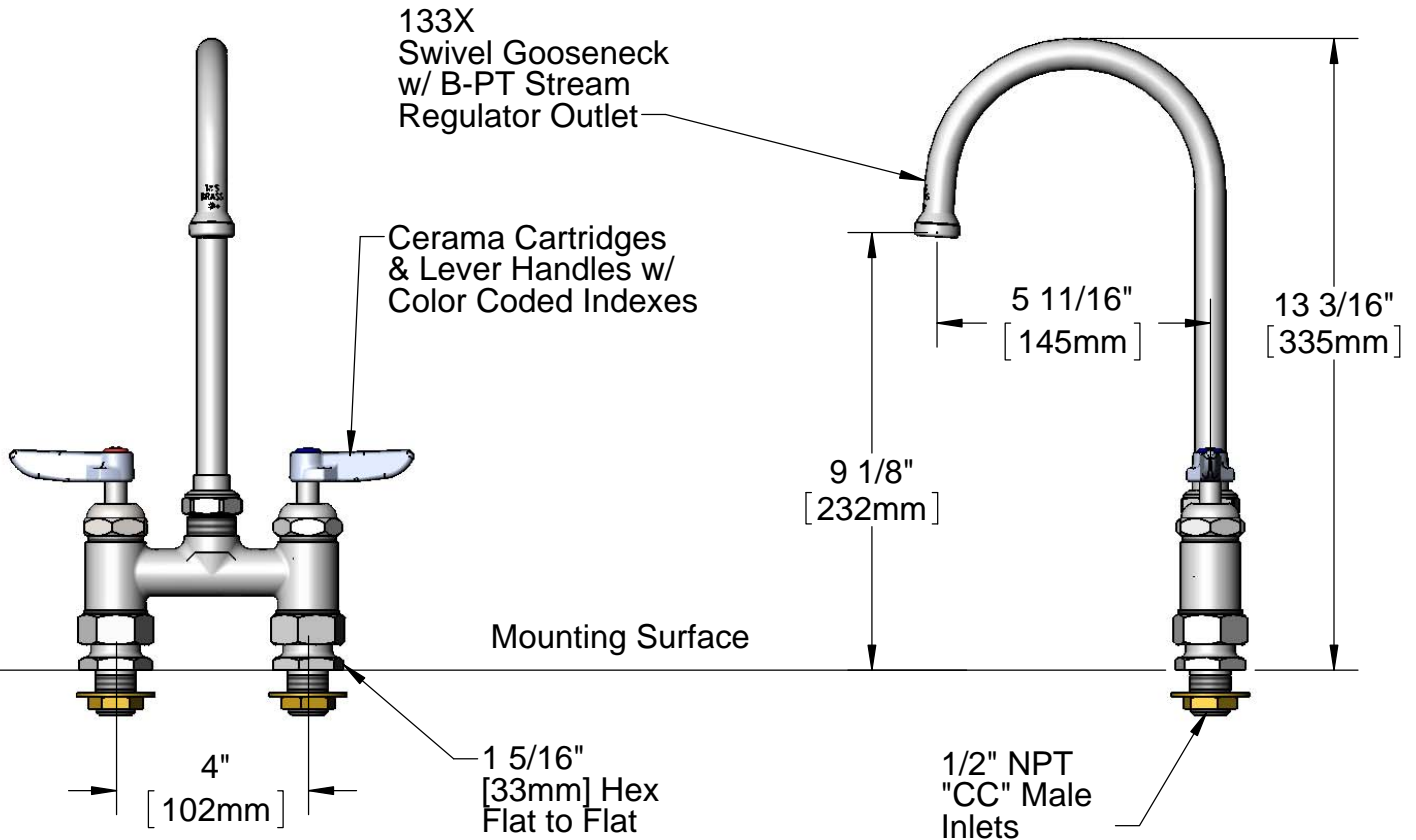
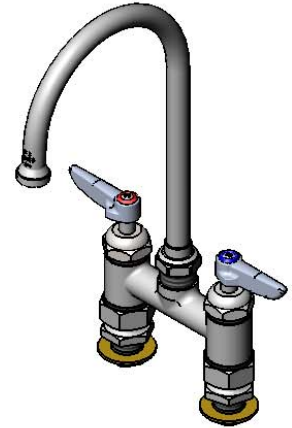
Customer/Wholesaler _____

Contractor _____

Architect/Engineer _____



ADA Compliant



Note: Rough-In Requirement
(2) ϕ 1" [25mm] Mounting Holes

Product Specifications:

4" c/c Deck Mount Mixing Faucet w/ Cerama Cartridges, Lever Handles, Swivel Gooseneck w/ B-PT Stream Regulator Outlet & 1/2" NPT "CC" Male Inlets

Drawn
KJG

Checked
GEF

Approved
JHB

Scale:

1:4

Date:

11/28/11



T&S BRASS AND BRONZE WORKS, INC.

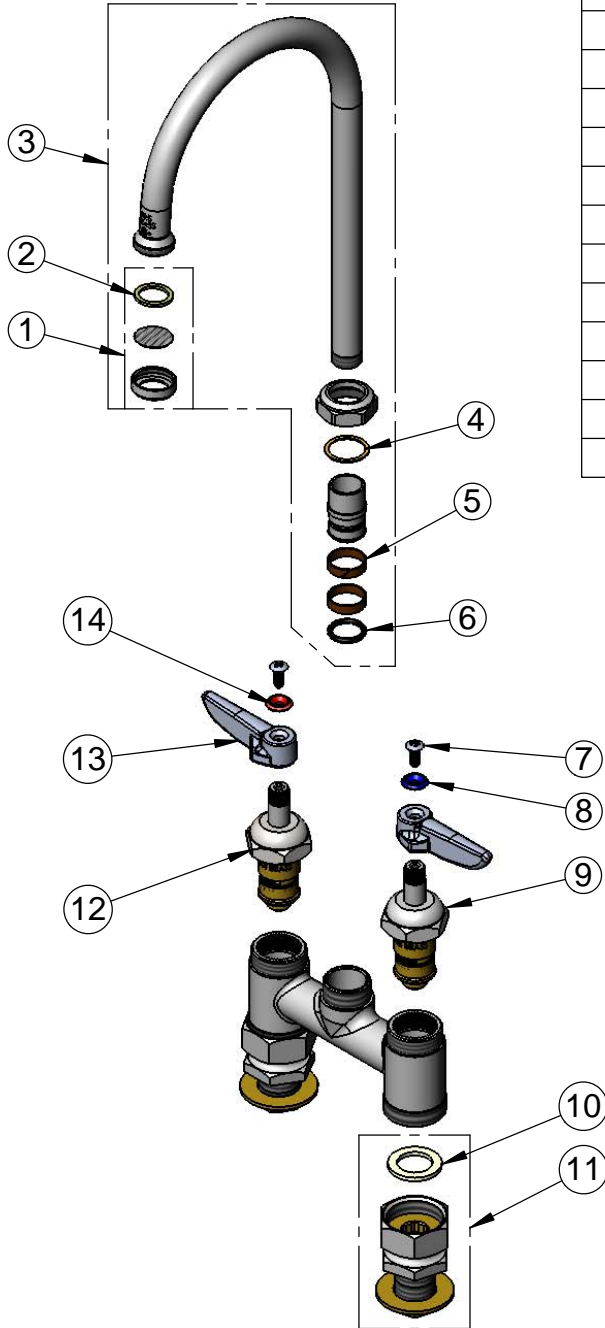
2 Saddleback Cove / P.O. Box 1088
Travelers Rest, SC 29690

Model No.

B-0325-CC-CR

Item No.

Travelers Rest, SC: 800-476-4103 Simi Valley, CA: 800-423-0150 Fax: 864-834-3518 www.tsbrass.com



ITEM NO.	SALES NO.	DESCRIPTION
1	B-PT	Stream Regulator Outlet
2	001048-45	Nozzle Tip Washer
3	133X	Swivel Gooseneck
4	009538-45	Swivel Washer
5	011429-45	Swivel Sleeves (2)
6	001074-45	O-Ring
7	000922-45	Lever Handle Screw
8	001660-45	Blue Index-CW
9	011279-25	Cerama Cartridge LTC
10	001019-45	Coupling Nut Washer
11	00CC	Male Inlet, 1/2" NPT
12	011278-25	Cerama Cartridge RTC
13	001638-45	Lever Handle
14	001661-45	Red Index-HW

Product Specifications:

4" c/c Deck Mount Mixing Faucet w/ Cerama Cartridges,
Lever Handles, Swivel Gooseneck w/ B-PT Stream Regulator
Outlet & 1/2" NPT "CC" Male Inlets

Drawn KJG	Checked GEF	Approved JHB
Scale: 1:4		Date: 11/28/11



T&S BRASS AND BRONZE WORKS, INC.

2 Saddleback Cove / P.O. Box 1088
Travelers Rest, SC 29690

Model No.

B-0325-WH4

Item No.

Travelers Rest, SC: 800-476-4103 • Simi Valley, CA: 800-423-0150 • Fax: 864-834-3518 • www.tsbrass.com



ADA Compliant

This Space for Architect/Engineer Approval

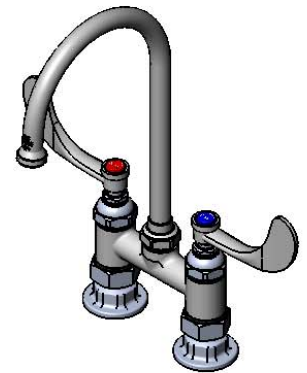
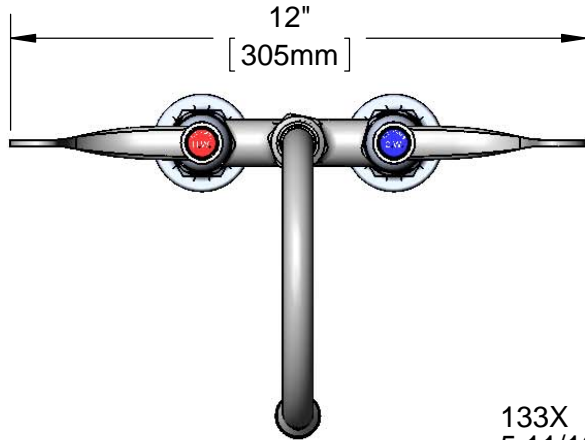
Job Name _____ Date _____

Model Specified _____ Quantity _____

Customer/Wholesaler _____

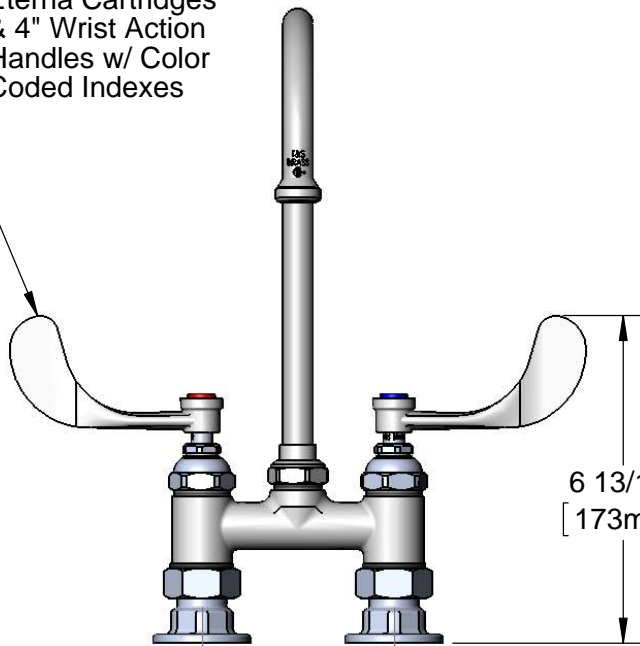
Contractor _____

Architect/Engineer _____



133X
5 11/16" Swivel Gooseneck
w/ Stream Regulator Outlet

Eterna Cartridges
& 4" Wrist Action
Handles w/ Color
Coded Indexes



4"
[102mm]
Adjustable from
3 3/4" to 4 1/4"
[95mm to 108mm]

13 1/4"
[336mm]

9 3/16"
[233mm]

5 11/16"
[145mm]

Ø2"
[51mm]
Flanges w/
1/2" NPT
Female Inlets

Product Specifications:

4" Deck Mount Mixing Faucet, Eterna Cartridges, 4" Wrist Action Handles, 6" Swivel Gooseneck w/ Stream Regulator Outlet & 1/2" NPT Female Inlet Flanges

Product Compliance:

ASME A112.18.1 / CSA B125.1
NSF 61 - Section 9
NSF 372 (Low Lead Content)
ANSI A117.1 (ADA)



T&S BRASS AND BRONZE WORKS, INC.

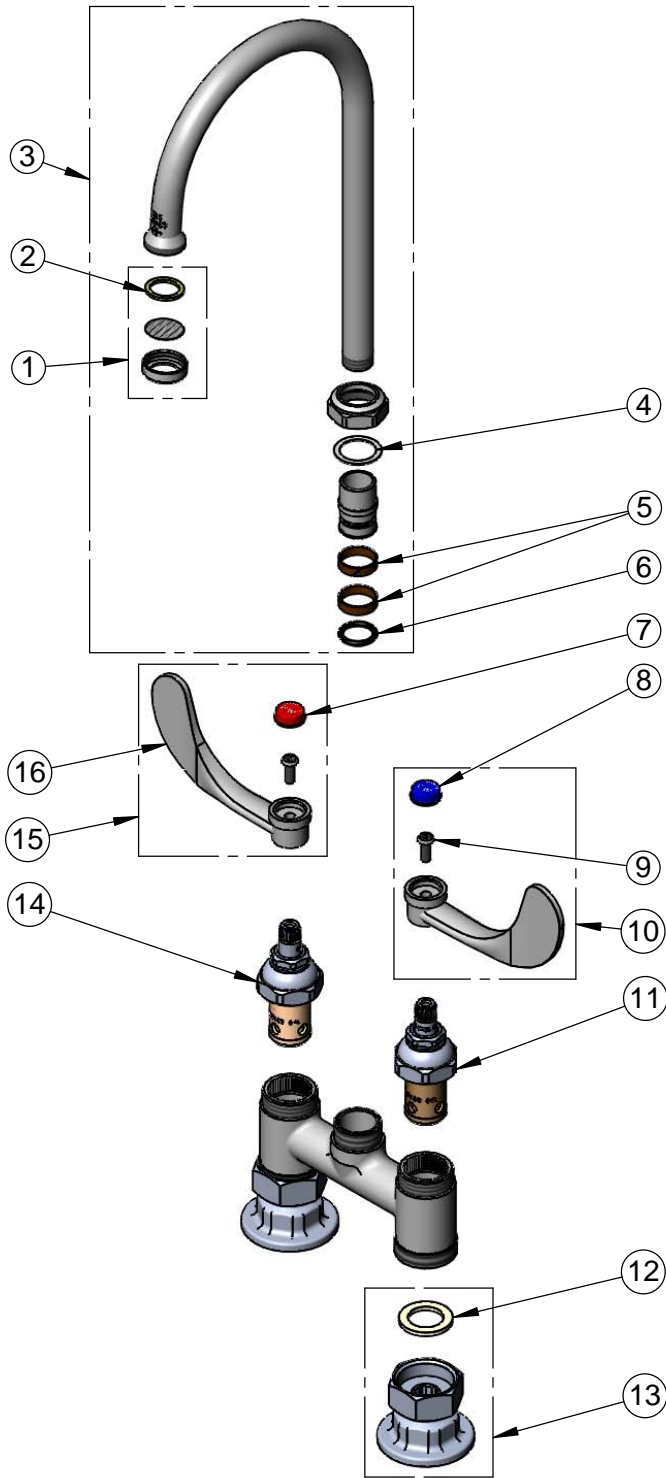
2 Saddleback Cove / P.O. Box 1088
Travelers Rest, SC 29690

Model No.

B-0325-WH4

Item No.

Travelers Rest, SC: 800-476-4103 • Simi Valley, CA: 800-423-0150 • Fax: 864-834-3518 • www.tsbrass.com



ITEM NO.	SALES NO.	DESCRIPTION
1	B-PT	Stream Regulator Outlet
2	001048-45	Nozzle Tip Washer
3	133X	6" Swivel Gooseneck
4	009538-45	Swivel Washer
5	011429-45	Swivel Sleeves (2)
6	001074-45	O-Ring
7	001194-45	Red Index - HW
8	001686-45	Blue Index - CW
9	000925-45	Lab Handle Screw
10	B-WH4C	4" Wrist Action Handle, Screw & Cold Index
11	006009-40	Eterna Cartridge, LTC (Teflon)
12	001019-45	Coupling Nut Washer
13	00AA	1/2" NPT Female Eccentric Flange
14	006010-40	Eterna Cartridge, RTC (Teflon)
15	B-WH4H	4" Wrist Action Handle, Screw & Hot Index
16	B-WH4	4" Wrist Action Handle

Product Specifications:

4" Deck Mount Mixing Faucet, Eterna Cartridges, 4" Wrist Action Handles, 6" Swivel Gooseneck w/ Stream Regulator Outlet & 1/2" NPT Female Inlet Flanges

Product Compliance:

ASME A112.18.1 / CSA B125.1
NSF 61 - Section 9
NSF 372 (Low Lead Content)
ANSI A117.1 (ADA)



T&S BRASS AND BRONZE WORKS, INC.

2 Saddleback Cove / P.O. Box 1088
Travelers Rest, SC 29690

Model No.

B-0328-CR-VF05

Item No.

Travelers Rest, SC: 800-476-4103 • Simi Valley, CA: 800-423-0150 • Fax: 864-834-3518 • www.tsbrass.com



ADA Compliant

This Space for Architect/Engineer Approval

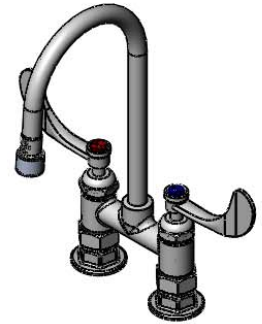
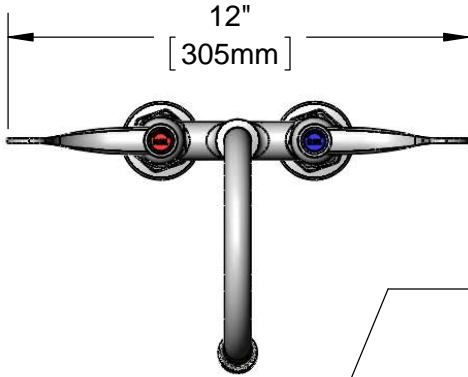
Job Name _____ Date _____

Model Specified _____ Quantity _____

Customer/Wholesaler _____

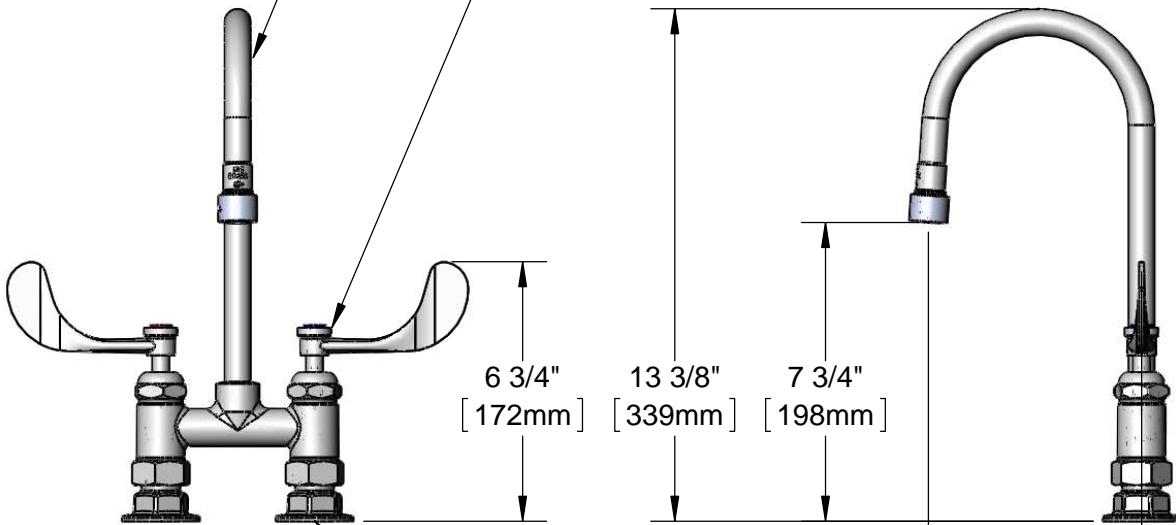
Contractor _____

Architect/Engineer _____



5 9/16" Rigid Gooseneck w/
B-0199-07-N05
VR 0.5 GPM Non-Aerated
Spray Device Outlet, VR Key
(Included)

Cerama Cartridges &
4" Wrist Action Handles
w/ Color Coded Indexes



4" [102mm]
Adjustable from
3 3/4" to 4 1/4"
[95mm to 108mm]

Ø 2" [51mm]
Flanges w/
1/2" NPT
Female Inlets

5 9/16" [141mm]

Product Specifications:

4" Deck Mount Mixing Faucet, Cerama Cartridges, Rigid Gooseneck w/ 0.5 GPM Non-Aerated VR Outlet Device, 4" Wrist Action Handles & 1/2" Female Inlets

Product Compliance:

ASME A112.18.1 / CSA B125.1
NSF 61 - Section 9
NSF 372 (Low Lead Content)
ANSI A117.1 (ADA)

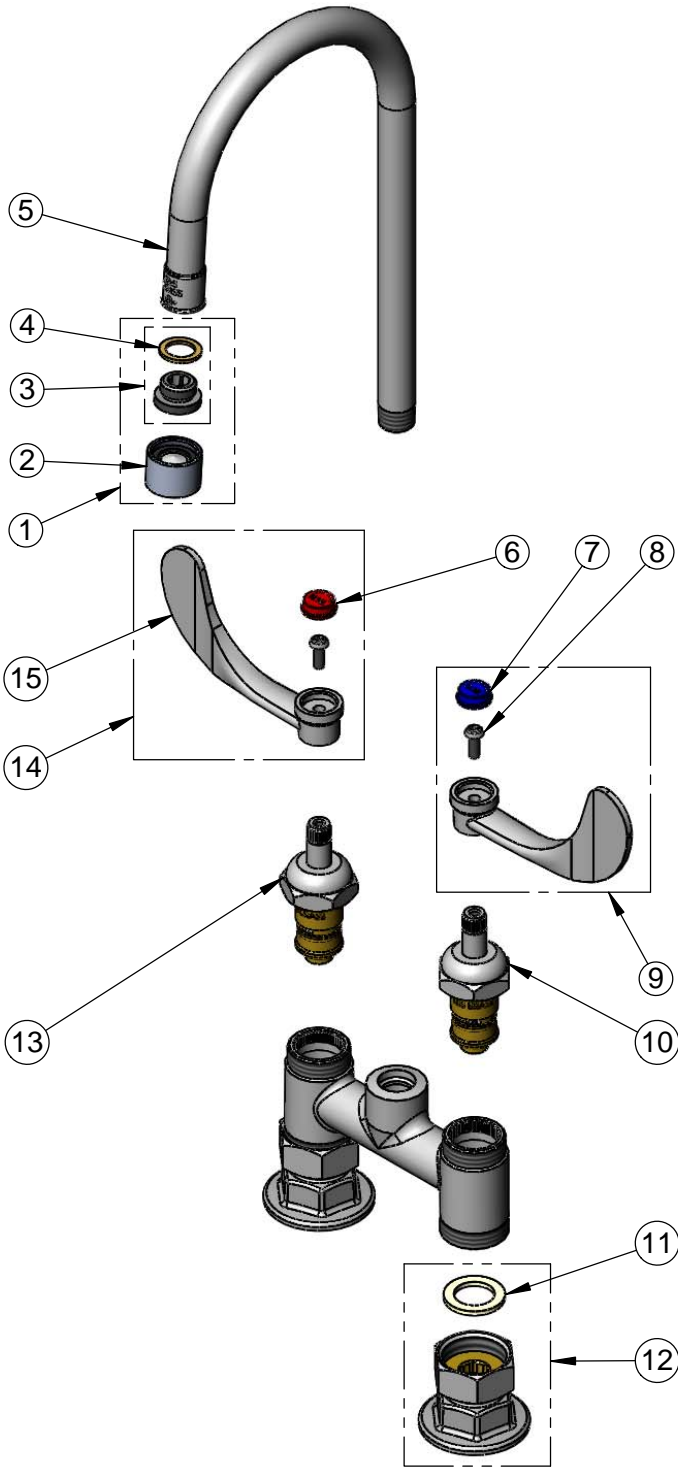


T&S BRASS AND BRONZE WORKS, INC.
 2 Saddleback Cove / P.O. Box 1088
 Travelers Rest, SC 29690

Model No.
B-0328-CR-VF05

Item No.

Travelers Rest, SC: 800-476-4103 • Simi Valley, CA: 800-423-0150 • Fax: 864-834-3518 • www.tsbrass.com



ITEM NO.	SALES NO.	DESCRIPTION
1	B-0199-07-N05	VR 0.5 GPM Non-Aerated Spray Device, 3/8" NPSM Male w/ Key
2	B-0199-06-N05	VR 0.5 GPM Non-Aerated Spray Device, 55/64-27 UN Female w/ Key
3	044A	3/8" to Aerator Adapter
4	001043-45	Washer
5	000398-40	Rigid Gooseneck
6	001194-45	Red Index - HW
7	001686-45	Blue Index - CW
8	000925-45	Lab Handle Screw
9	B-WH4C	4" Wrist Action Handle, Screw & Cold Index
10	011279-25	Cerama Cartridge, LTC
11	001019-45	Coupling Nut Washer
12	00AA	1/2" NPT Female Eccentric Flange
13	011278-25	Cerama Cartridge, RTC
14	B-WH4H	4" Wrist Action Handle, Screw & Hot Index
15	B-WH4	4" Wrist Action Handle


 015425-45
 Vandal Resistant
 Key

Product Specifications:

4" Deck Mount Mixing Faucet, Cerama Cartridges, Rigid Gooseneck w/ 0.5 GPM Non-Aerated VR Outlet Device, 4" Wrist Action Handles & 1/2" Female Inlets

Product Compliance:

ASME A112.18.1 / CSA B125.1
 NSF 61 - Section 9
 NSF 372 (Low Lead Content)
 ANSI A117.1 (ADA)



T&S BRASS AND BRONZE WORKS, INC.

2 Saddleback Cove / P.O. Box 1088
Travelers Rest, SC 29690

Model No.

B-0321

Item No.

Travelers Rest, SC: 800-476-4103 • Simi Valley, CA: 800-423-0150 • Fax: 864-834-3518 • www.tsbrass.com



ADA Compliant

This Space for Architect/Engineer Approval

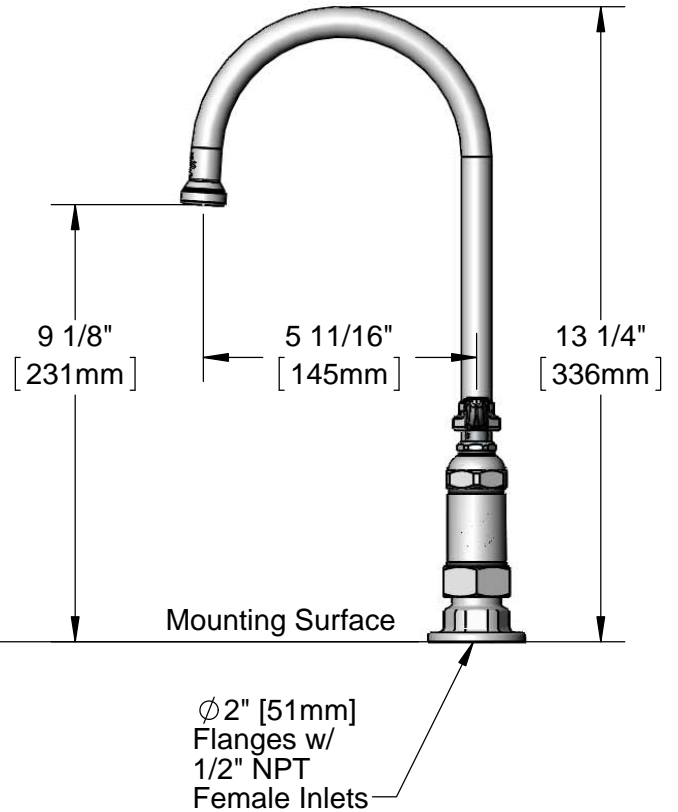
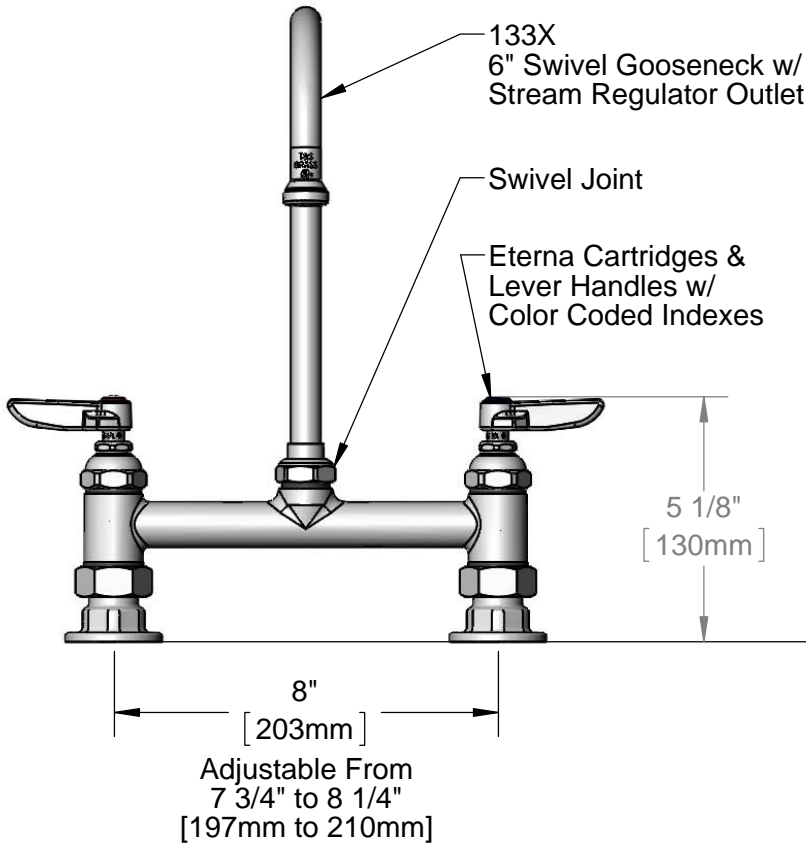
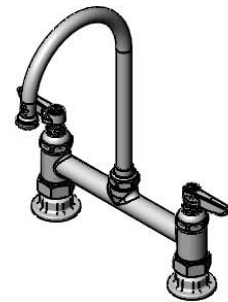
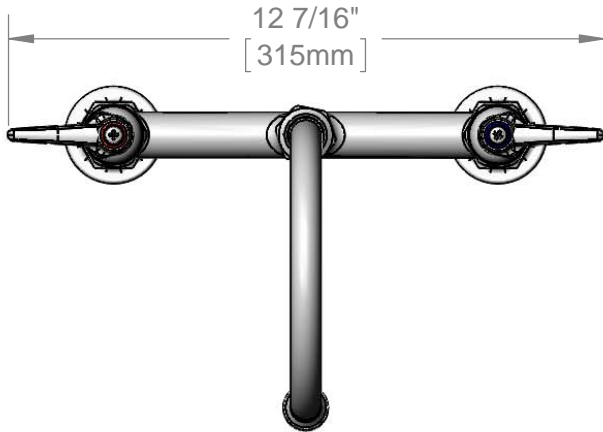
Job Name _____ Date _____

Model Specified _____ Quantity _____

Customer/Wholesaler _____

Contractor _____

Architect/Engineer _____



Product Specifications:

8" Deck Mount Mixing Faucet, Eterna Cartridges, Lever Handles, 6" Swivel Gooseneck, & 1/2" NPT Female Inlets

Product Compliance:

ASME A112.18.1 / CSA B125.1
NSF 61 - Section 9
NSF 372 (Low Lead Content)
ANSI A117.1 (ADA)

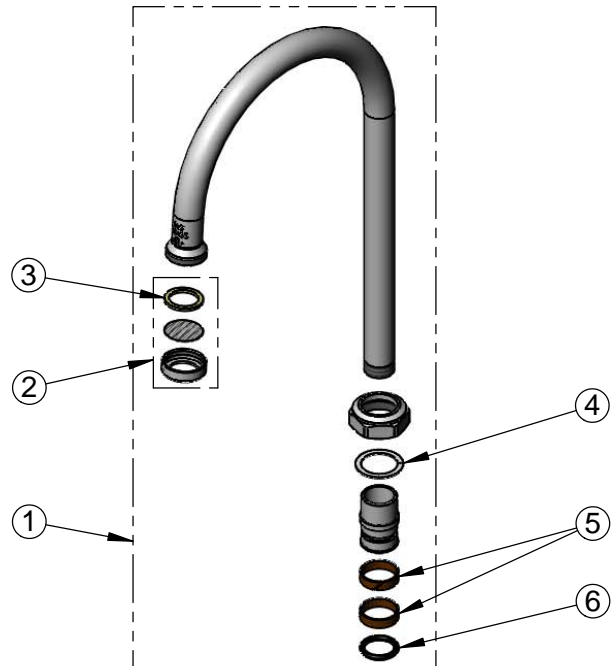


T&S BRASS AND BRONZE WORKS, INC.
 2 Saddleback Cove / P.O. Box 1088
 Travelers Rest, SC 29690

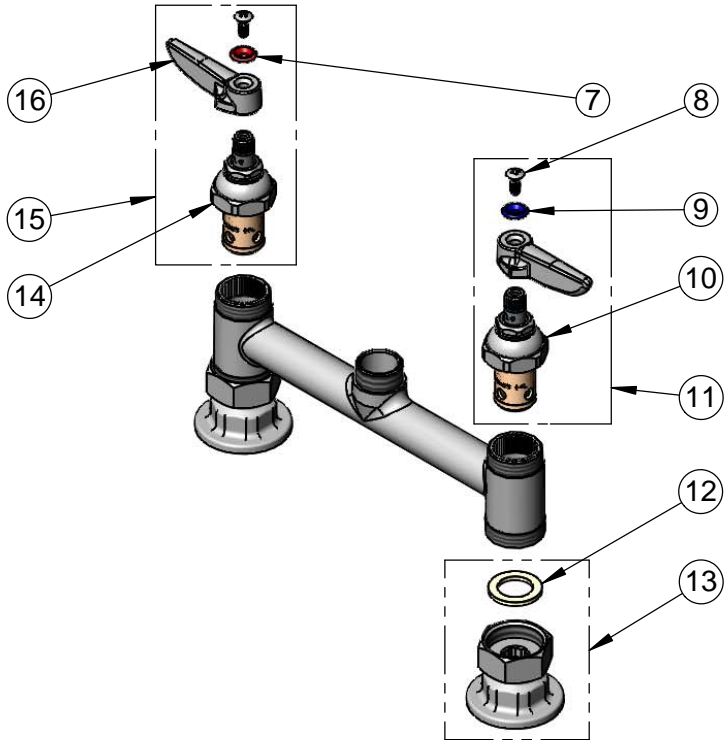
Model No.
B-0321

Item No.

Travelers Rest, SC: 800-476-4103 • Simi Valley, CA: 800-423-0150 • Fax: 864-834-3518 • www.tsbrass.com



ITEM NO.	SALES NO.	DESCRIPTION
1	133X	6" Swivel Gooseneck
2	B-PT	Stream Regulator Outlet
3	001048-45	Nozzle Tip Washer
4	009538-45	Swivel Washer
5	011429-45	Swivel Sleeves (2)
6	001074-45	O-Ring
7	001661-45	Red Index-HW
8	000922-45	Lever Handle Screw
9	001660-45	Blue Index-CW
10	005959-40	Eterna Cartridge, LTC
11	002713-40	Eterna Cartridge, LTC w/ Handle, Index & Screw
12	001019-45	Coupling Nut Washer
13	00AA	1/2" NPT Female Eccentric Flange
14	005960-40	Eterna Cartridge, RTC
15	002714-40	Eterna Cartridge, RTC w/ Handle, Index & Screw
16	001638-45	Lever Handle



Product Specifications:
 8" Deck Mount Mixing Faucet, Eterna Cartridges, Lever Handles,
 6" Swivel Gooseneck, & 1/2" NPT Female Inlets

Product Compliance:
 ASME A112.18.1 / CSA B125.1
 NSF 61 - Section 9
 NSF 372 (Low Lead Content)
 ANSI A117.1 (ADA)



T&S BRASS AND BRONZE WORKS, INC.

2 SADDLEBACK COVE / P.O. BOX 1088 / TRAVELERS REST, SC 29690

PHONE 800-476-4103

FAX 864- 834-3518



REG.#A2601
ISO #9002

Model No.

B-0321-NPL

Item No.:

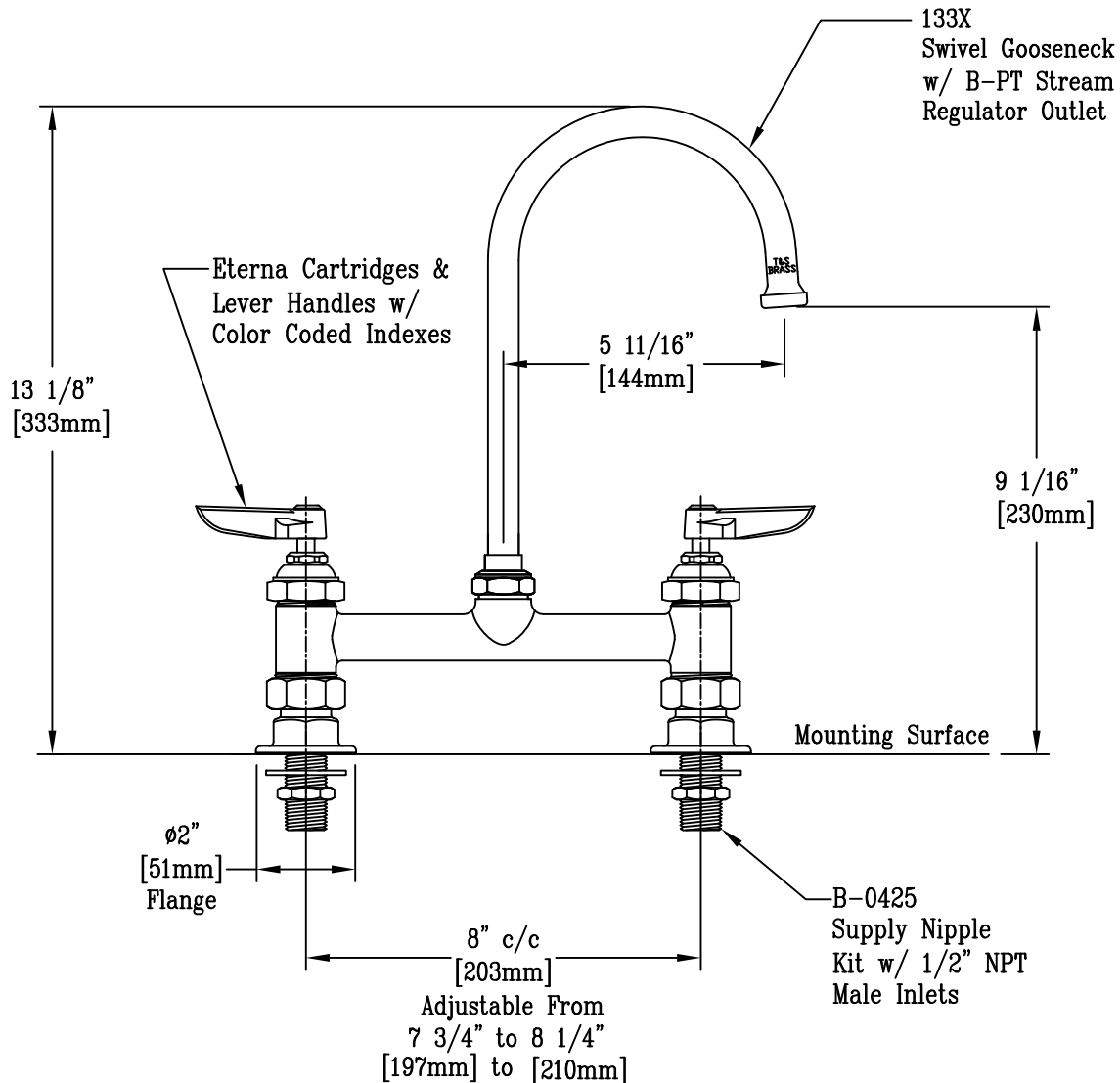
Job Name:

Architect/Engineer Approval:

Notes:



ADA COMPLIANT



NOTE: Rough-In Requirement
(2) ø1" [25mm] Mounting Holes

Product Description:
8" c/c Deck Mount Faucet w/ Eterna Cartridges, Lever Handles, Swivel Gooseneck, Stream Regulator Outlet, & 1/2" NPT Male Supply Nipple Inlets

Drawn:	Checked:	Scale:
KJG	DHL	1 : 4
Approved:	Date:	
JHB	12/17/10	



T&S BRASS AND BRONZE WORKS, INC.

2 SADDLEBACK COVE / P.O. BOX 1088 / TRAVELERS REST, SC 29690

PHONE 800-476-4103

FAX 803- 834-3518

Model No.

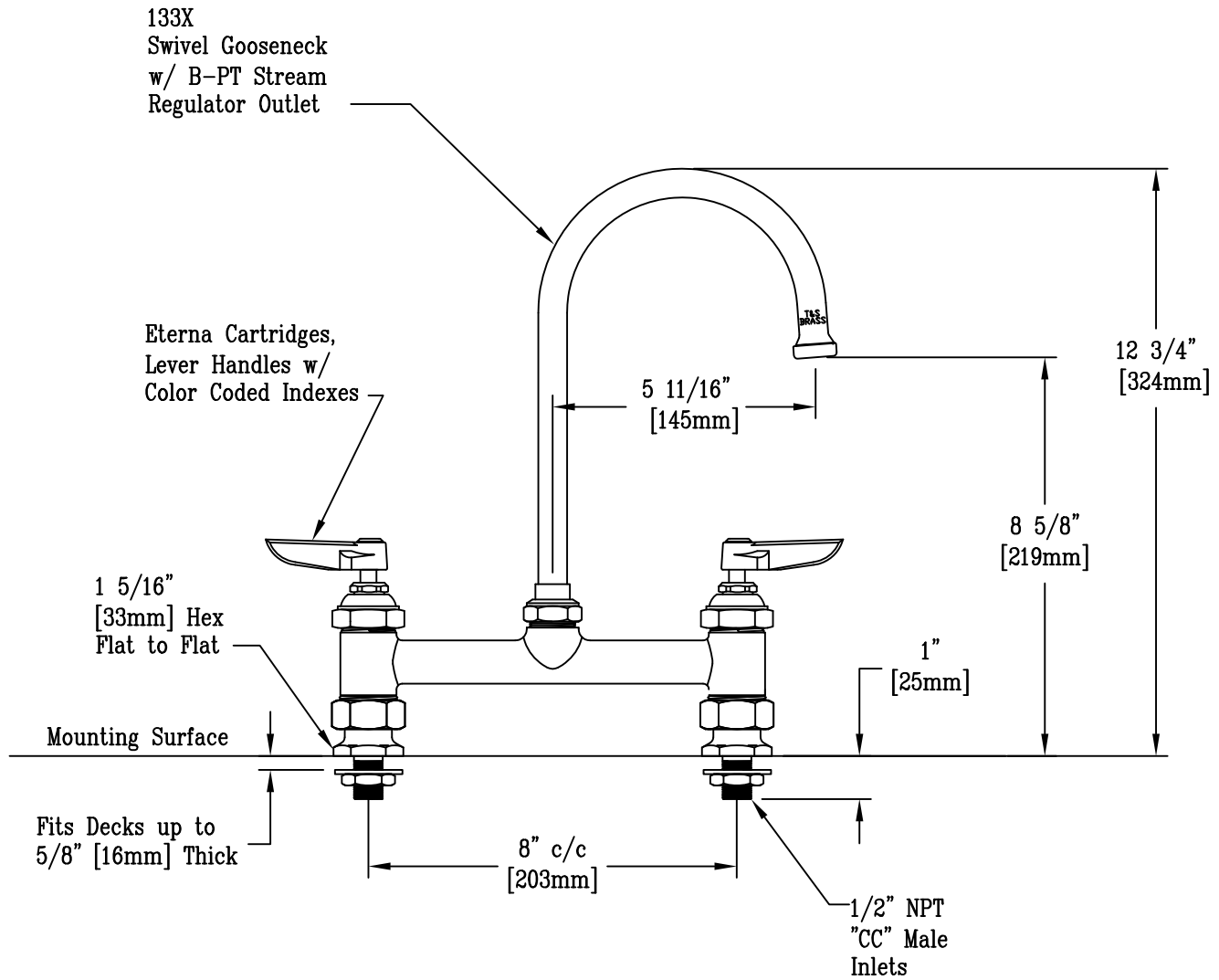
B-0321-CC

Item No.:

Job Name:

Architect/Engineer Approval:

Notes:



Note: Rough-In Requirement
(2) ϕ 1" [25mm] Mounting Holes

Product Description:

8" c/c Deck Mount Faucet w/ Eterna Cartridges, Swivel Gooseneck, Lever Handles, Stream Regulator Outlet, & 1/2" NPT "CC" Male Inlets

Drawn:

KJG

Checked

JRM

Scale:

1 : 4

Approved

JHB

Date:

12/14/10



T&S BRASS AND BRONZE WORKS, INC.

2 Saddleback Cove / P.O. Box 1088
Travelers Rest, SC 29690



REG. #A2601
ISO #9001

Model No.
B-0321-CC-CR

Item No.

Travelers Rest, SC: 800-476-4103 Simi Valley, CA: 800-423-0150 Fax: 864-834-3518 www.tsbrass.com

This Space for Architect/Engineer Approval

Job Name _____ Date _____

Model Specified _____ Quantity _____

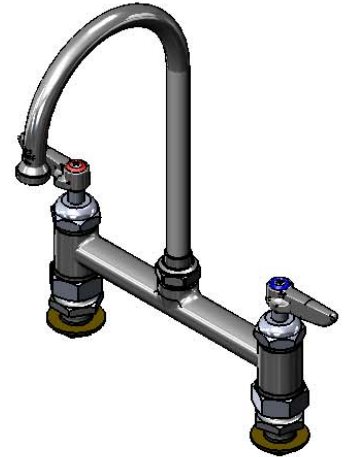
Customer/Wholesaler _____

Contractor _____

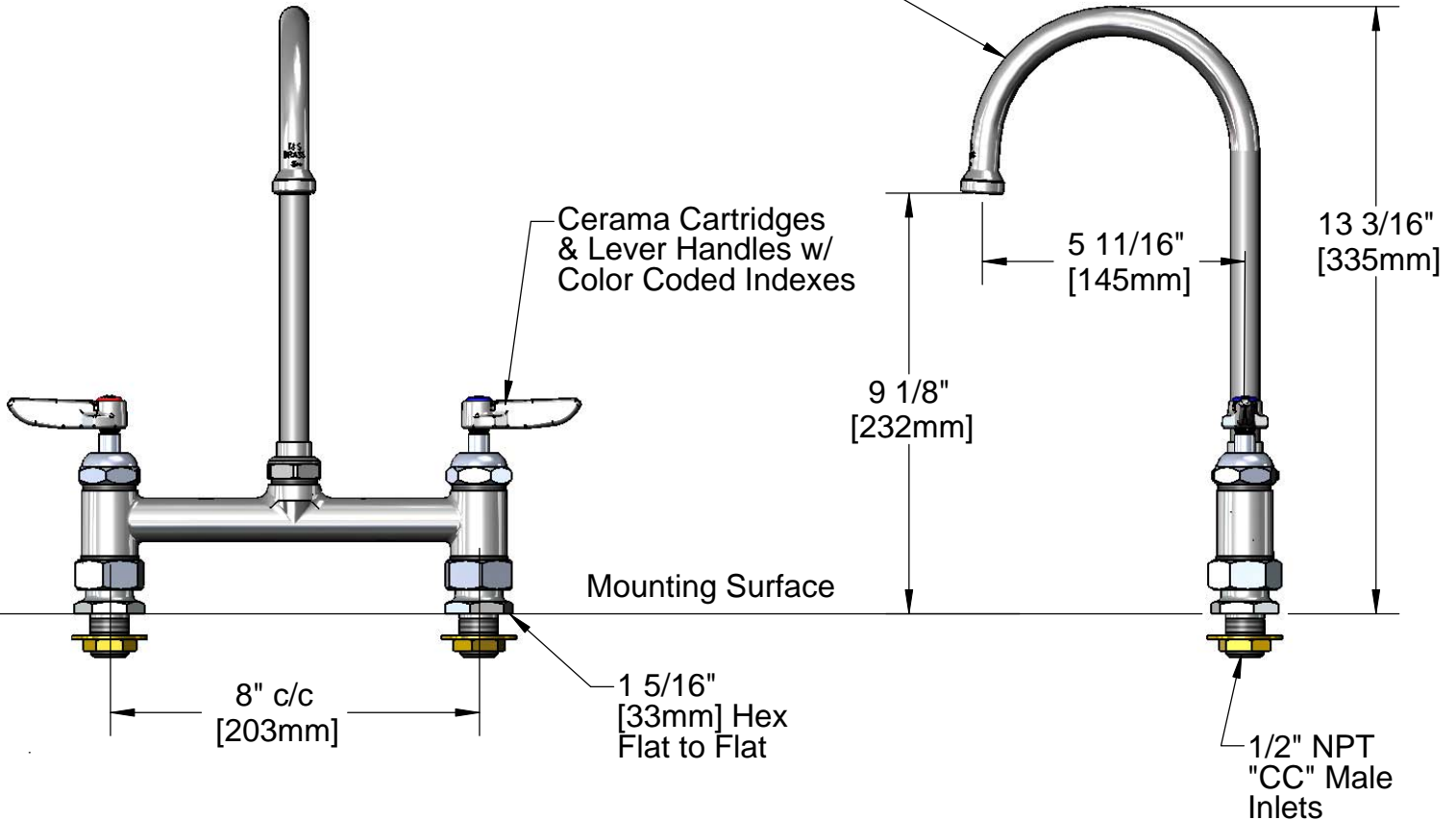
Architect/Engineer _____



ADA Compliant



133X
Swivel Gooseneck
w/ B-PT Stream
Regulator Outlet



Note: Rough-In Requirements
(2) ϕ 1" [25mm] Mounting Holes

Product Specifications:

8" C/C Deck Mount Mixing Faucet w/ Cerama Cartridges, Lever Handles, Swivel Gooseneck w/ B-PT Stream Regulator Outlet & 1/2" NPT "CC" Male Inlets

Drawn KJG	Checked DMH	Approved JHB
Scale: 1:4		Date: 07/12/10



T&S BRASS AND BRONZE WORKS, INC.

2 Saddleback Cove / P.O. Box 1088
Travelers Rest, SC 29690



REG. #A2601
ISO #9001

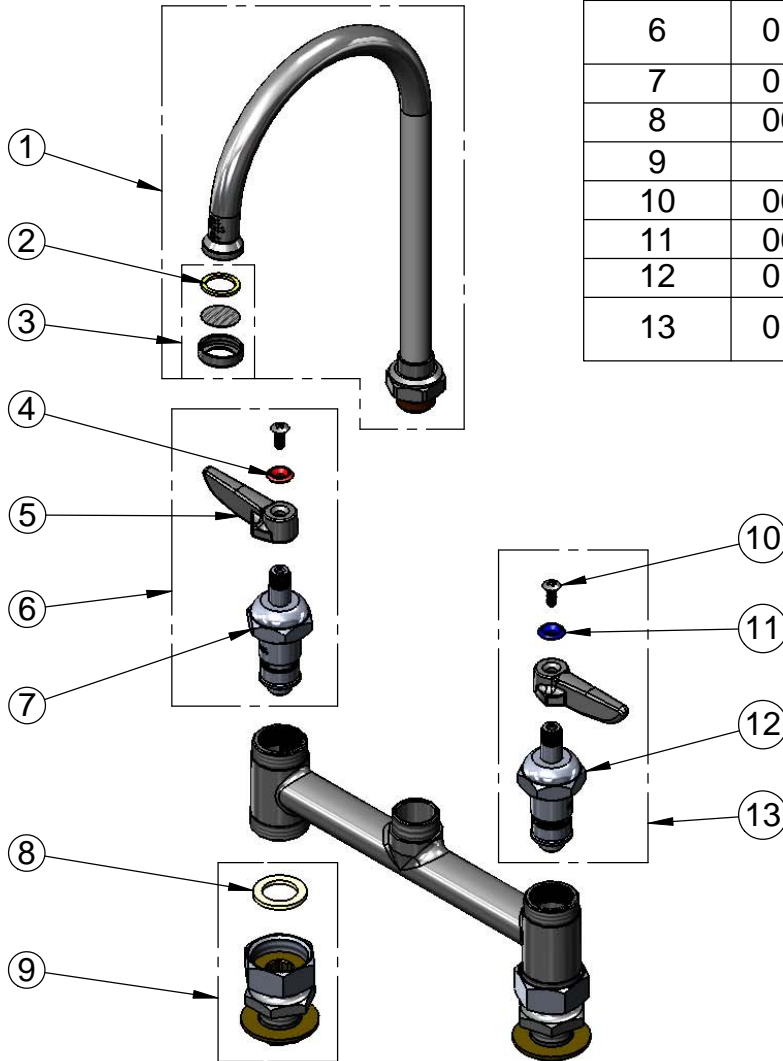
Model No.

B-0321-CC-CR

Item No.

Travelers Rest, SC: 800-476-4103 Simi Valley, CA: 800-423-0150 Fax: 864-834-3518 www.tsbrass.com

ITEM NO.	SALES NO.	DESCRIPTION
1	133X	Swivel Gooseneck
2	001048-45	Nozzle Tip Washer
3	B-PT	Stream Regulator Outlet
4	001661-45	Red Index-HW
5	001638-45	Lever Handle
6	012444-25	Hot Cerama Cartridge w/ Handle, Index & Screw
7	011278-25	Ceramic Cartridge RTC
8	001019-45	Coupling Nut Washer
9	00CC	Male Inlet, 1/2" NPT
10	000922-45	Lever Handle Screw
11	001660-45	Blue Index-CW
12	011279-25	Ceramic Cartridge LTC
13	012445-25	Cold Cerama Cartridge w/ Handle, Index & Screw



Product Specifications:

8" C/C Deck Mount Mixing Faucet w/ Cerama Cartridges, Lever Handles, Swivel Gooseneck w/ B-PT Stream Regulator Outlet & 1/2" NPT "CC" Male Inlets

Drawn KJG	Checked DMH	Approved JHB
Scale: 1:4		Date: 07/12/10