



T&S BRASS AND BRONZE WORKS, INC.

2 Saddleback Cove / P.O. Box 1088
Travelers Rest, SC 29690

Model No.

B-0255

Item No.

Travelers Rest, SC: 800-476-4103 • Simi Valley, CA: 800-423-0150 • Fax: 864-834-3518 • www.tsbrass.com



ADA Compliant

This Space for Architect/Engineer Approval

Job Name _____ Date _____

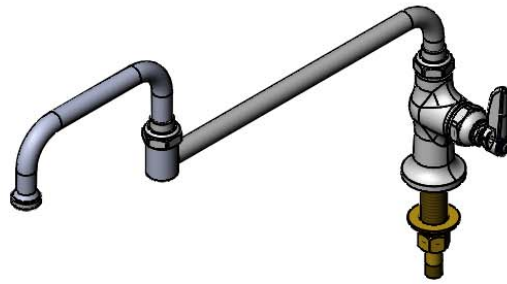
Model Specified _____ Quantity _____

Customer/Wholesaler _____

Contractor _____

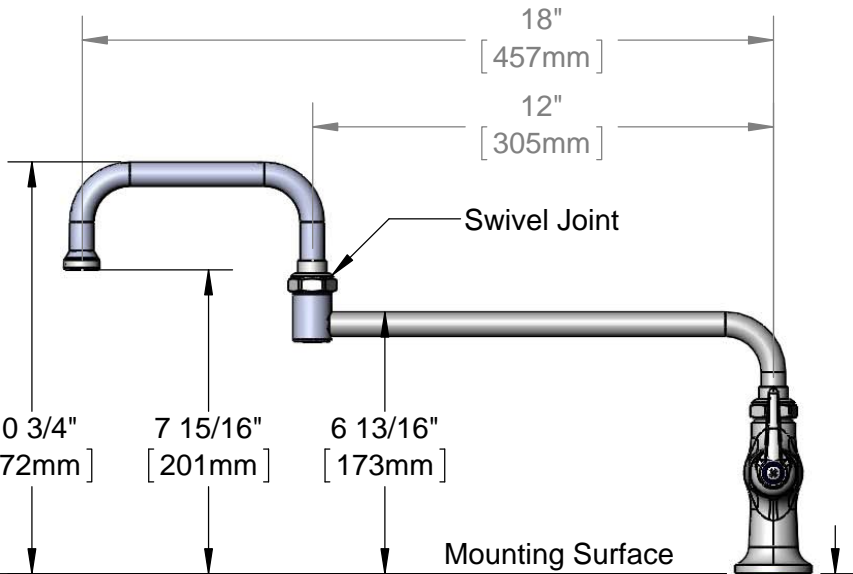
Architect/Engineer _____

3 1/4"
[83mm]



068X
18" Double
Joint Swing
Nozzle w/
Stream
Regulator
Outlet

Swivel Joint



2 7/16"
[62mm]

2 9/16"
[66mm]

Eterna Cartridges &
Lever Handles w/
Blue Color Coded Index

Ø2" [51mm] Flange
w/ 1/2" NPSM Male Inlet

150A
Optional Tailpiece & Nut
For 1/4" NPT Connection
(Included)

1 5/8"
[41mm]
Maximum
Thickness

Rough-In Requirement:
Ø1" [25mm] Mounting Hole

Product Specifications:
Single Hole Single Temperature Deck Mount Faucet, Eterna
Cartridge, Lever Handle, 18" Double Joint Swing Nozzle &
1/2" NPSM Male Inlet

Drawn

DHL

Checked

DMH

Approved

JHB

Scale:

1:5

Date:

02/04/14



T&S BRASS AND BRONZE WORKS, INC.

2 Saddleback Cove / P.O. Box 1088

Travelers Rest, SC 29690

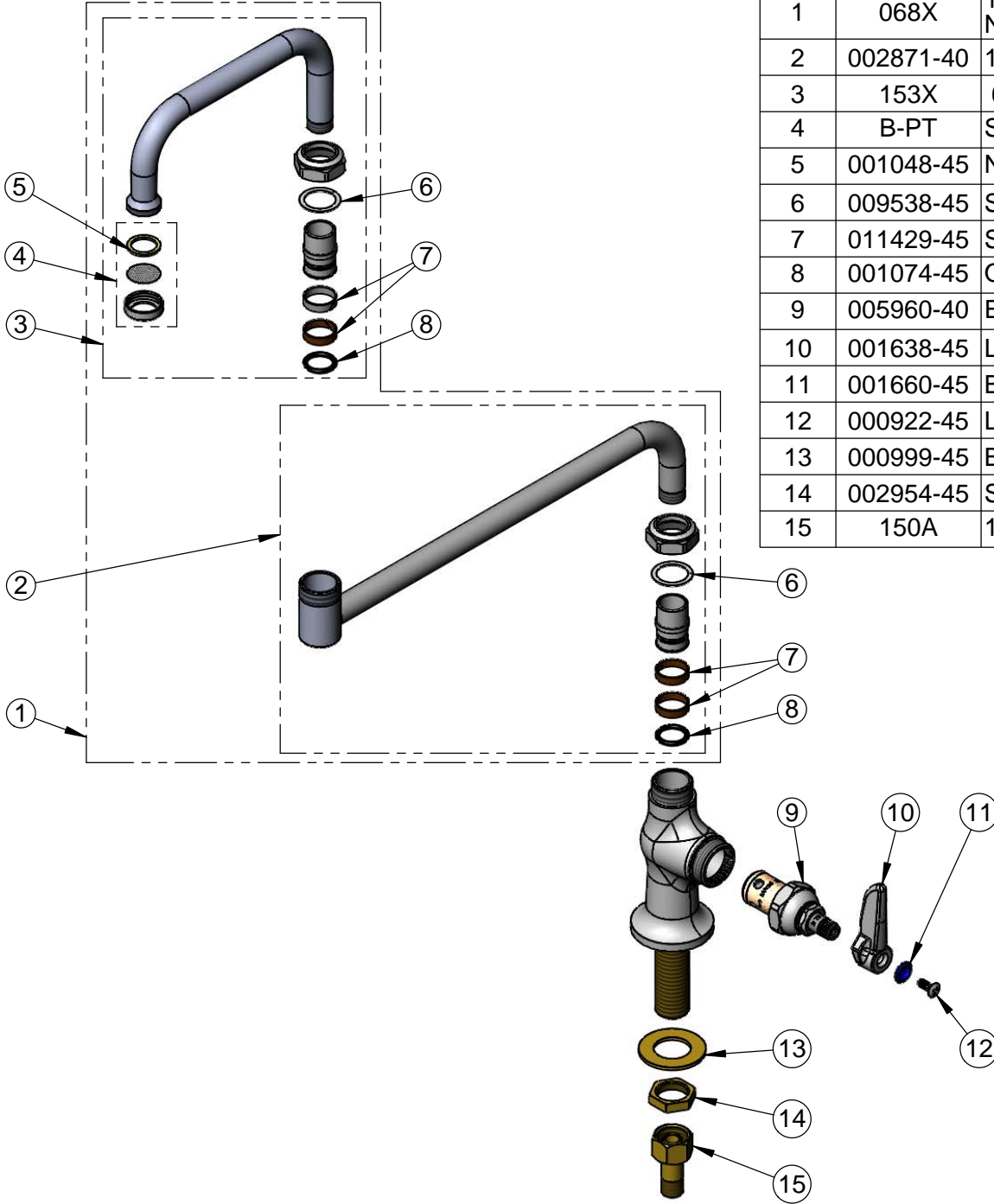
Model No.

B-0255

Item No.

Travelers Rest, SC: 800-476-4103 • Simi Valley, CA: 800-423-0150 • Fax: 864-834-3518 • www.tsbrass.com

ITEM NO.	SALES NO.	DESCRIPTION
1	068X	18" Double Joint Swing Nozzle
2	002871-40	12" Back Section
3	153X	6" Front Section
4	B-PT	Stream Regulator Outlet
5	001048-45	Nozzle Tip Washer
6	009538-45	Swivel Washer
7	011429-45	Swivel Sleeves (2)
8	001074-45	O-Ring
9	005960-40	Eterna Cartridge, RTC
10	001638-45	Lever Handle
11	001660-45	Blue Index-CW
12	000922-45	Lever Handle Screw
13	000999-45	Brass Lock Washer
14	002954-45	Shank Lock Nut
15	150A	1/4" NPT Tailpiece & Nut



Product Specifications:

Single Hole Single Temperature Deck Mount Faucet, Eterna Cartridge, Lever Handle, 18" Double Joint Swing Nozzle & 1/2" NPSM Male Inlet

Drawn

DHL

Checked

DMH

Approved

JHB

Scale:

NTS

Date:

02/04/14



T&S BRASS AND BRONZE WORKS, INC.
 2 SADDLEBACK COVE / P.O. BOX 1088 / TRAVELERS REST, SC 29690
 PHONE 800-476-4103 FAX 864- 834-3518

Model No.

B-0319-01

Item No.:

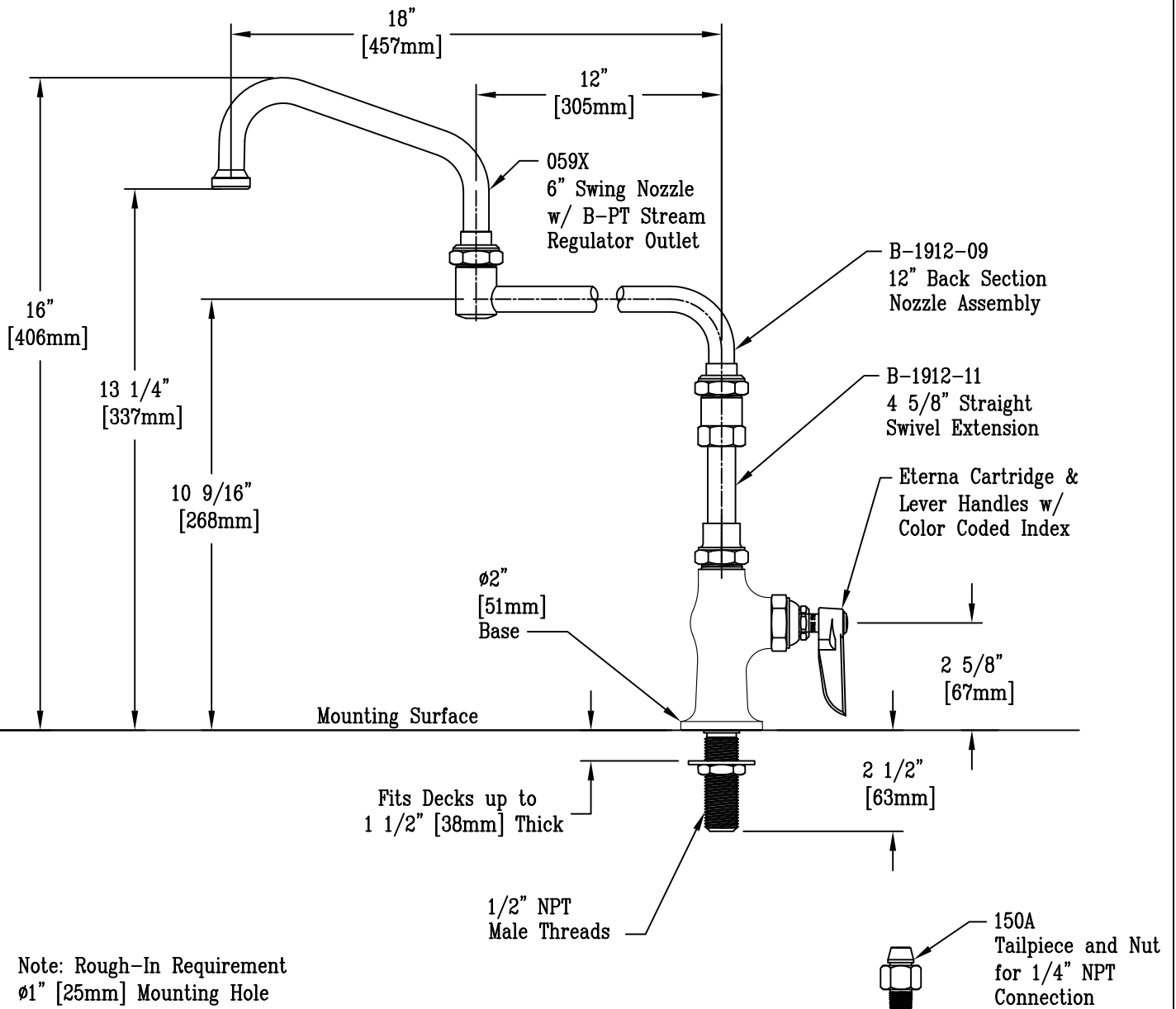
Job Name:

Architect/Engineer Approval:

Notes:



ADA Compliant



Product Description:
 Single Pantry Mixing Faucet w/ Eterna Cartridge, Special 18" Double-Joint Swing Nozzle w/ Stream Regulator & 4-5/8" Extension

Drawn:

KJG

Approved

JHB

Checked

KLC

Scale:

1 : 4

Date:

03/24/12



T&S BRASS AND BRONZE WORKS, INC.
 2 SADDLEBACK COVE / P.O. BOX 1088 / TRAVELERS REST, SC 29690
 PHONE 800-476-4103 FAX 864- 834-3518

Model No.

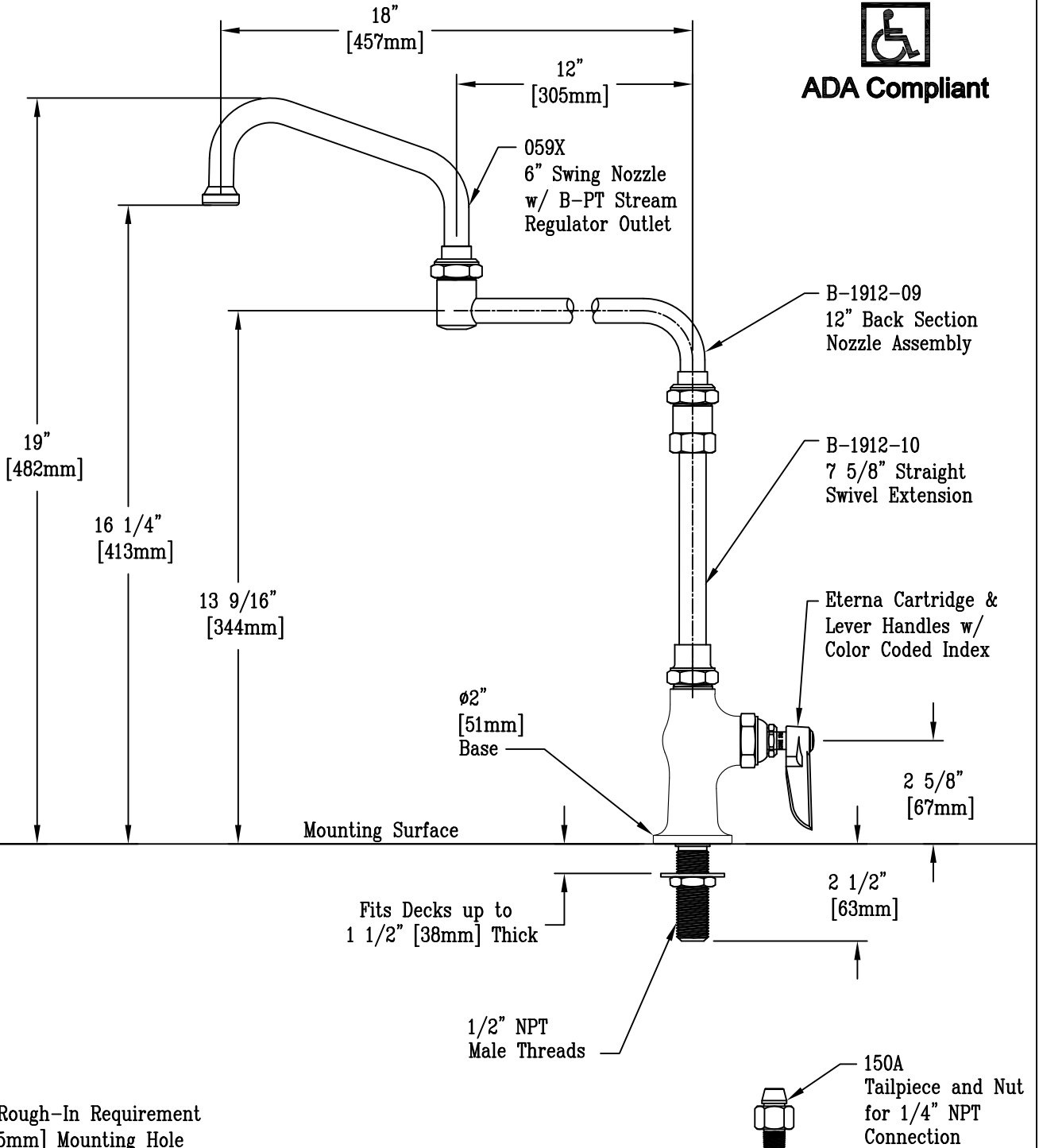
B-0319-02

Item No.:

Job Name:

Architect/Engineer Approval:

Notes:



Note: Rough-In Requirement
 ø1" [25mm] Mounting Hole

Product Description:
 Single Pantry Mixing Faucet w/ Eterna
 Cartridge, Special 18" Double-Joint Nozzle
 w/ Stream Regulator & 7-5/8" Extension

Drawn:

KJG

Checked

KLC

Scale:

1 : 4

Approved

JHB

Date:

03/24/12