



T&S BRASS AND BRONZE WORKS, INC.
 2 Saddleback Cove / P.O. Box 1088
 Travelers Rest, SC 29690

Model No.
B-0247

Item No.

Travelers Rest, SC: 800-476-4103 • Simi Valley, CA: 800-423-0150 • Fax: 864-834-3518 • www.tsbrass.com



ADA Compliant

This Space for Architect/Engineer Approval

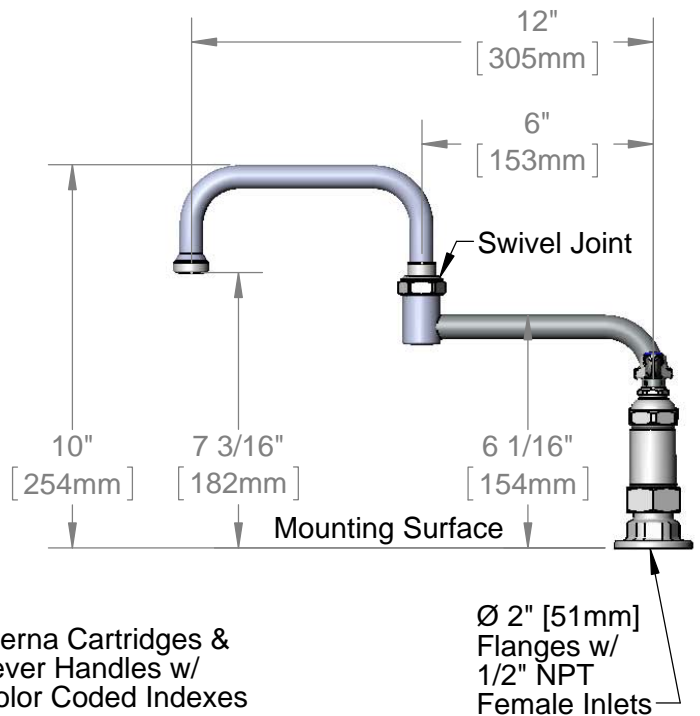
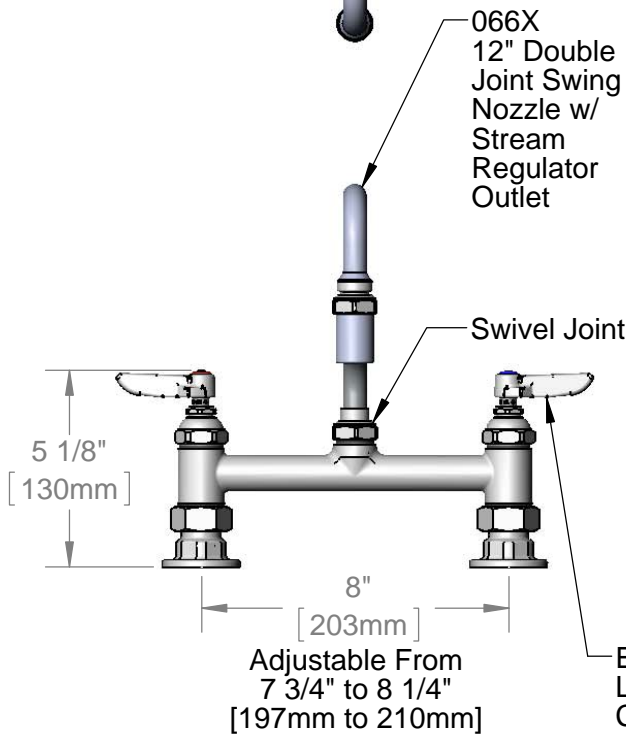
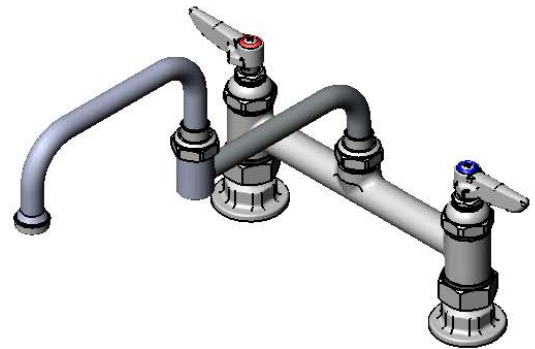
Job Name _____ Date _____

Model Specified _____ Quantity _____

Customer/Wholesaler _____

Contractor _____

Architect/Engineer _____



Product Specifications:
 8" Deck Mount Mixing Faucet, Eterna Cartridges, Lever Handles
 12" Double Joint Swing Nozzle & 1/2" NPT Female Inlets

Drawn DHL	Checked DMH	Approved JHB
Scale: 1:5		Date: 02/04/14

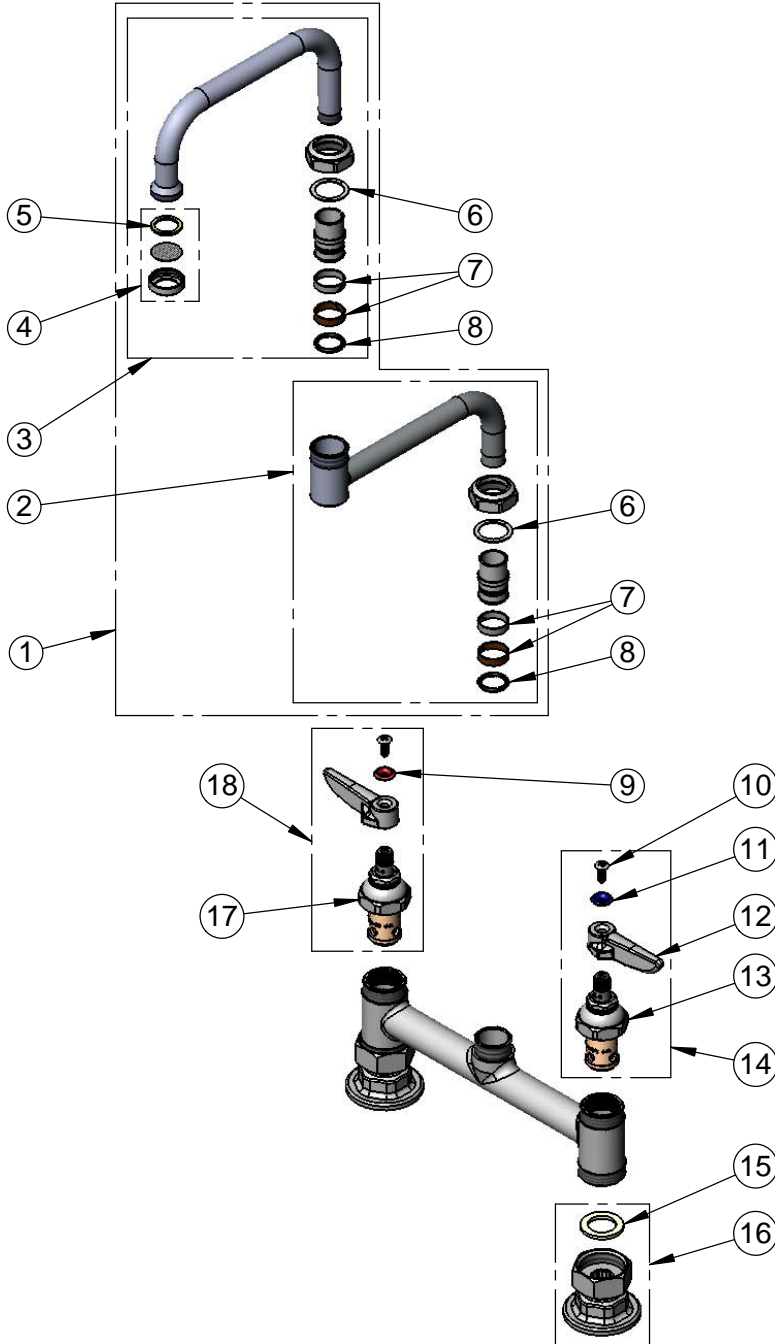


T&S BRASS AND BRONZE WORKS, INC.
 2 Saddleback Cove / P.O. Box 1088
 Travelers Rest, SC 29690

Model No.
B-0247

Item No.

Travelers Rest, SC: 800-476-4103 • Simi Valley, CA: 800-423-0150 • Fax: 864-834-3518 • www.tsbrass.com



ITEM NO.	SALES NO.	DESCRIPTION
1	066X	12" Double Joint Swing Nozzle
2	151X	6" Back Section
3	153X	6" Front Section
4	B-PT	Stream Regulator Outlet
5	001048-45	Nozzle Tip Washer
6	009538-45	Swivel Washer
7	011429-45	Swivel Sleeves (2)
8	001074-45	O-Ring
9	001661-45	Red Index-HW
10	000922-45	Lever Handle Screw
11	001660-45	Blue Index-CW
12	001638-45	Lever Handle
13	005959-40	Eterna Cartridge, LTC
14	002713-40	Eterna Cartridge LTC w/ Handle, Index & Screw
15	001019-45	Coupling Nut Washer
16	00AA	1/2" NPT Female Eccentric Flange
17	005960-40	Eterna Cartridge, RTC
18	002714-40	Eterna Cartridge RTC w/ Handle, Index & Screw

Product Specifications:
 8" Deck Mount Mixing Faucet, Eterna Cartridges, Lever Handles
 12" Double Joint Swing Nozzle & 1/2" NPT Female Inlets

Drawn DHL	Checked DMH	Approved JHB
---------------------	-----------------------	------------------------

Scale: NTS	Date: 02/04/14
----------------------	--------------------------