



T&S BRASS AND BRONZE WORKS, INC.

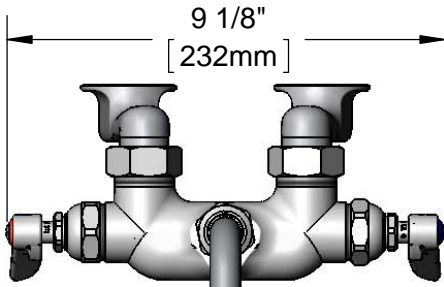
2 Saddleback Cove / P.O. Box 1088
Travelers Rest, SC 29690

Model No.

B-0236

Item No.

Travelers Rest, SC: 800-476-4103 • Simi Valley, CA: 800-423-0150 • Fax: 864-834-3518 • www.tsbrass.com



ADA Compliant

This Space for Architect/Engineer Approval

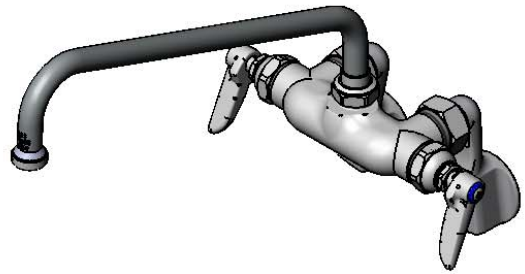
Job Name _____ Date _____

Model Specified _____ Quantity _____

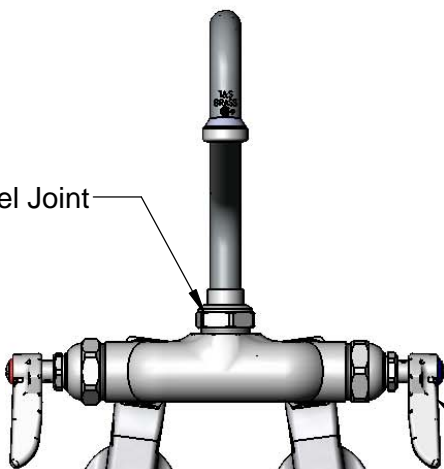
Customer/Wholesaler _____

Contractor _____

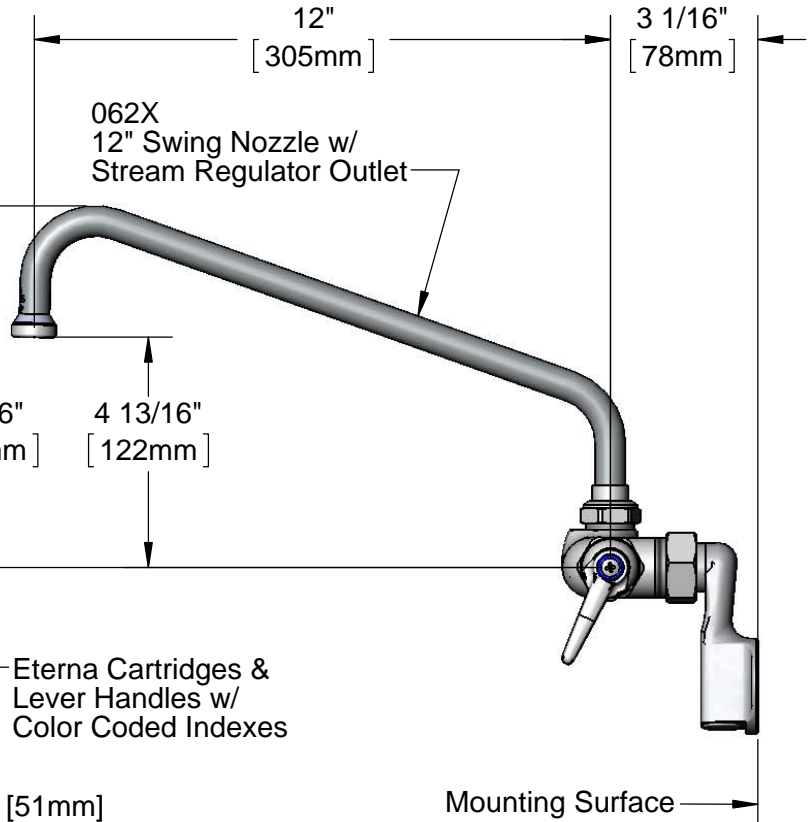
Architect/Engineer _____



Swivel Joint



4" [102mm]
Adjustable from
2 1/4" to 8 1/4"
[57mm to 210mm]
Above or Below Centerline



062X
12" Swing Nozzle w/
Stream Regulator Outlet

7 9/16" [191mm]
4 13/16" [122mm]

Eterna Cartridges &
Lever Handles w/
Color Coded Indexes

Ø 2" [51mm]
Wall Flange w/
1/2" NPT
Female Inlet

Mounting Surface

Product Specifications:

Wall Mount Mixing Faucet, Eterna Cartridges, Lever Handles,
12" Swing Nozzle & 1/2" NPT Female Adjustable Inlets

Product Compliance:

ASME A112.18.1 / CSA B125.1
NSF 61 - Section 9
NSF 372 (Low Lead Content)
ANSI A117.1 (ADA)



T&S BRASS AND BRONZE WORKS, INC.

2 Saddleback Cove / P.O. Box 1088
Travelers Rest, SC 29690

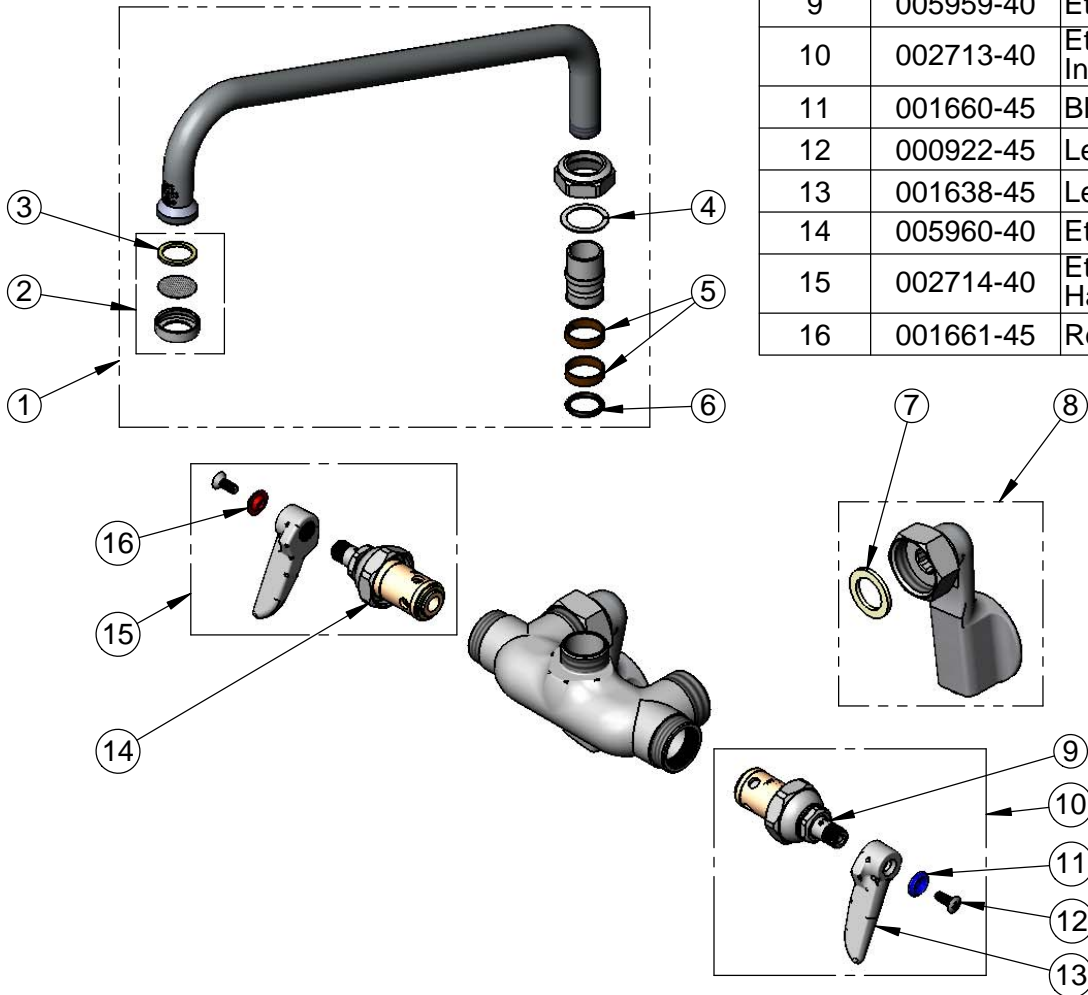
Model No.

B-0236

Item No.

Travelers Rest, SC: 800-476-4103 • Simi Valley, CA: 800-423-0150 • Fax: 864-834-3518 • www.tsbrass.com

ITEM NO.	SALES NO.	DESCRIPTION
1	062X	12" Swivel Nozzle
2	B-PT	Stream Regulator Outlet
3	001048-45	Nozzle Tip Washer
4	009538-45	Swivel Washer
5	011429-45	Swivel Sleeves (2)
6	001074-45	O-Ring
7	001019-45	Coupling Nut Washer
8	00GG	1/2" NPT Female Adjustable Arm Inlet Flange
9	005959-40	Eterna Cartridge, LTC
10	002713-40	Eterna Cartridge, LTC w/ Handle, Index & Screw
11	001660-45	Blue Index-CW
12	000922-45	Lever Handle Screw
13	001638-45	Lever Handle
14	005960-40	Eterna Cartridge, RTC
15	002714-40	Eterna Cartridge, RTC w/ Handle, Index & Screw
16	001661-45	Red Index-HW



Product Specifications:

Wall Mount Mixing Faucet, Eterna Cartridges, Lever Handles, 12" Swing Nozzle & 1/2" NPT Female Adjustable Inlets

Product Compliance:

ASME A112.18.1 / CSA B125.1
NSF 61 - Section 9
NSF 372 (Low Lead Content)
ANSI A117.1 (ADA)



T&S BRASS AND BRONZE WORKS, INC.

2 Saddleback Cove / P.O. Box 1088
Travelers Rest, SC 29690



REG. #A2601
ISO #9001

Model No.

B-0236-CR

Item No.

Travelers Rest, SC: 800-476-4103 Simi Valley, CA: 800-423-0150 Fax: 864-834-3518 www.tsbrass.com

This Space for Architect/Engineer Approval

Job Name _____ Date _____

Model Specified _____ Quantity _____

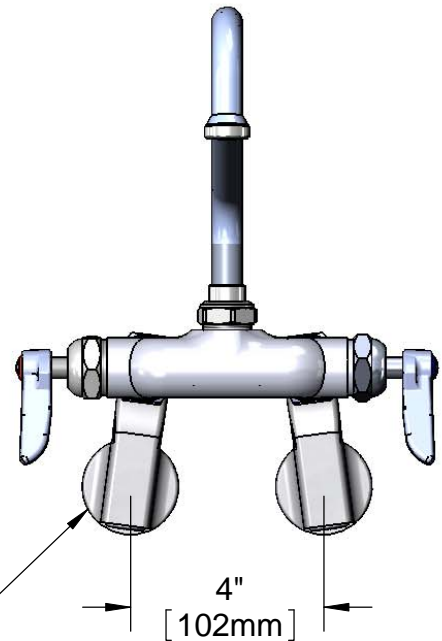
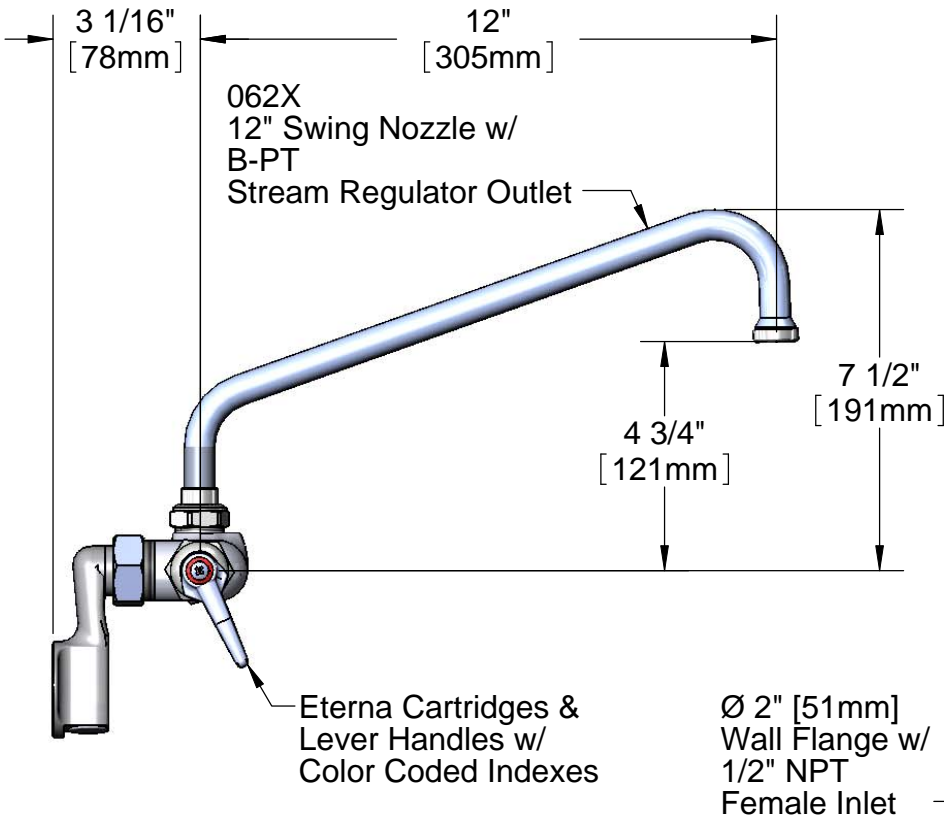
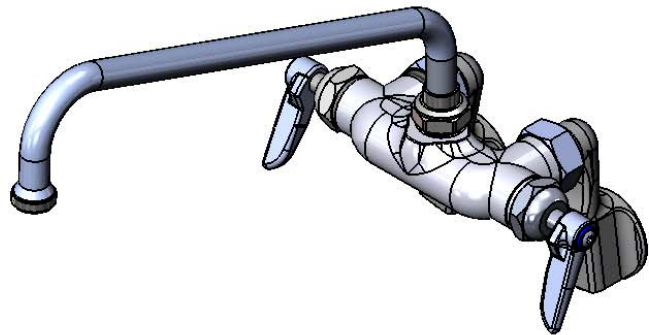
Customer/Wholesaler _____

Contractor _____

Architect/Engineer _____



ADA Compliant



Note: Rough-In Requirement
(2) Ø 1" [25mm] Mounting Holes

Product Specifications:

Combination Sink Faucet w/ Cerama Cartridges, 12" Swing Nozzle w/ B-PT Stream Regulator Outlet, Lever Handles & Adjustable Inlets

Drawn
DHL

Checked
JRM

Approved
JHB

Scale:

1:4

Date:

02/17/11



T&S BRASS AND BRONZE WORKS, INC.

2 Saddleback Cove / P.O. Box 1088
Travelers Rest, SC 29690



REG. #A2601
ISO #9001

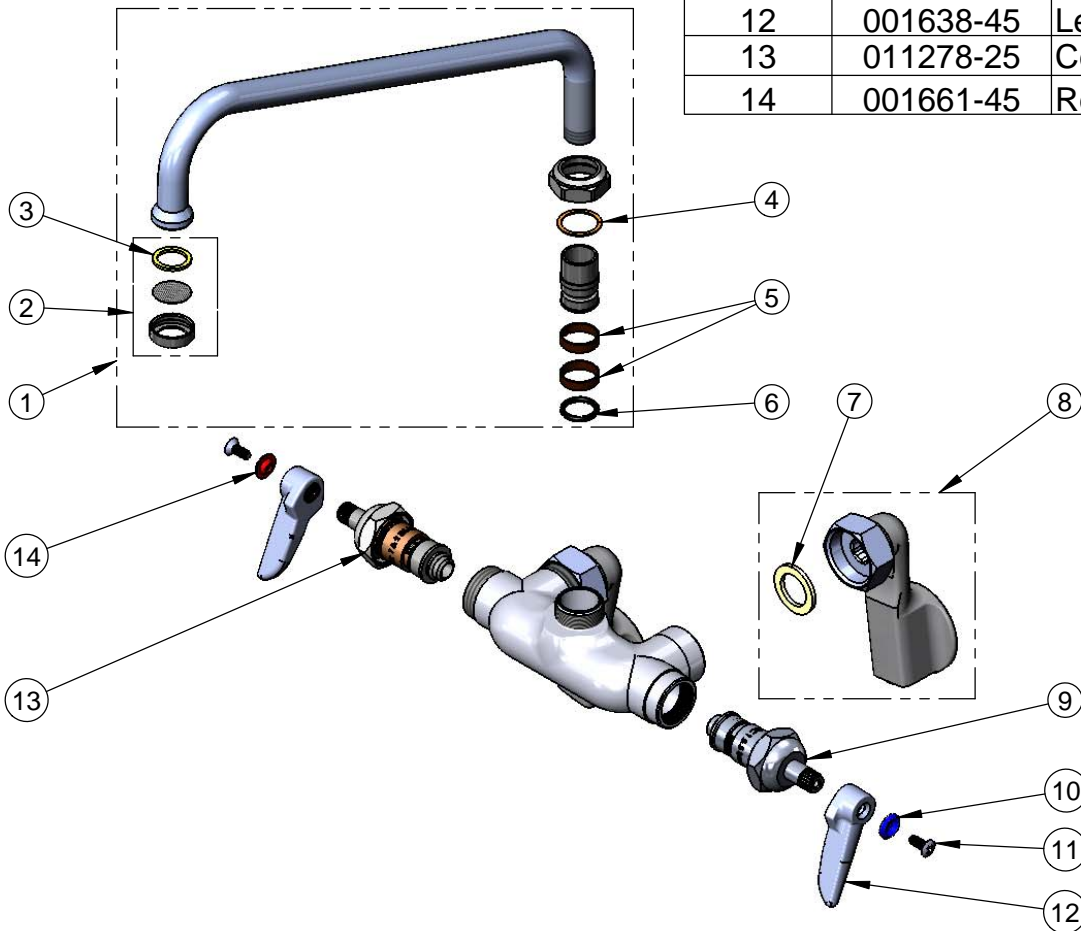
Model No.

B-0236-CR

Item No.

Travelers Rest, SC: 800-476-4103 Simi Valley, CA: 800-423-0150 Fax: 864-834-3518 www.tsbrass.com

ITEM NO.	SALES NO.	DESCRIPTION
1	062X	12" Swivel Nozzle Assembly
2	B-PT	Stream Regulator Assembly
3	001048-45	Nozzle Tip Washer
4	009538-45	Swivel Washer
5	011429-45	Swivel Sleeves (2)
6	001074-45	O-Ring
7	001019-45	Coupling Nut Washer
8	00GG	1/2" NPT Female Adjustable Inlet Assembly
9	011279-25	Cerama Cartridge LTC
10	001660-45	Blue Index-CW
11	000922-45	Lever Handle Screw
12	001638-45	Lever Handle
13	011278-25	Cerama Cartridge RTC
14	001661-45	Red Index-HW



Product Specifications:

Combination Sink Faucet w/ Cerama Cartridges, 12" Swing Nozzle w/ B-PT Stream Regulator Outlet, Lever Handles & Adjustable Inlets

Drawn
DHL

Checked
JRM

Approved
JHB

Scale:

NTS

Date:

02/17/11



T&S BRASS AND BRONZE WORKS, INC.

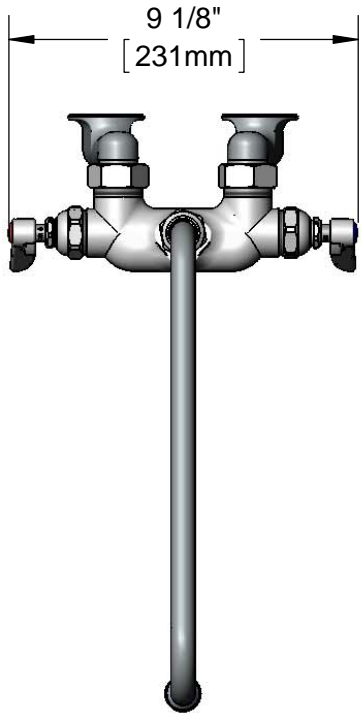
2 Saddleback Cove / P.O. Box 1088
Travelers Rest, SC 29690

Model No.

B-0241

Item No.

Travelers Rest, SC: 800-476-4103 • Simi Valley, CA: 800-423-0150 • Fax: 864-834-3518 • www.tsbrass.com



ADA Compliant

This Space for Architect/Engineer Approval

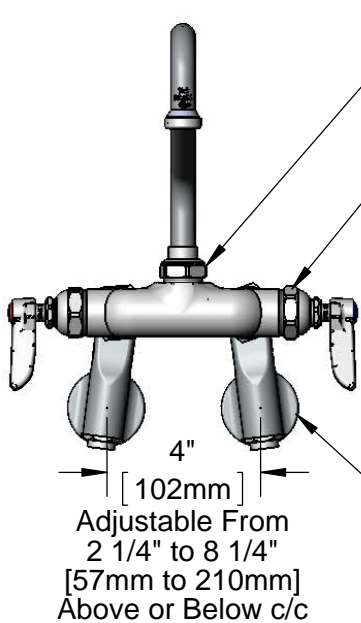
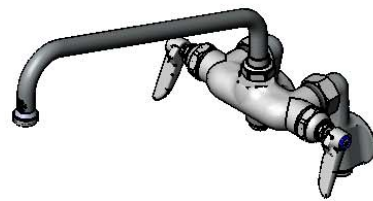
Job Name _____ Date _____

Model Specified _____ Quantity _____

Customer/Wholesaler _____

Contractor _____

Architect/Engineer _____



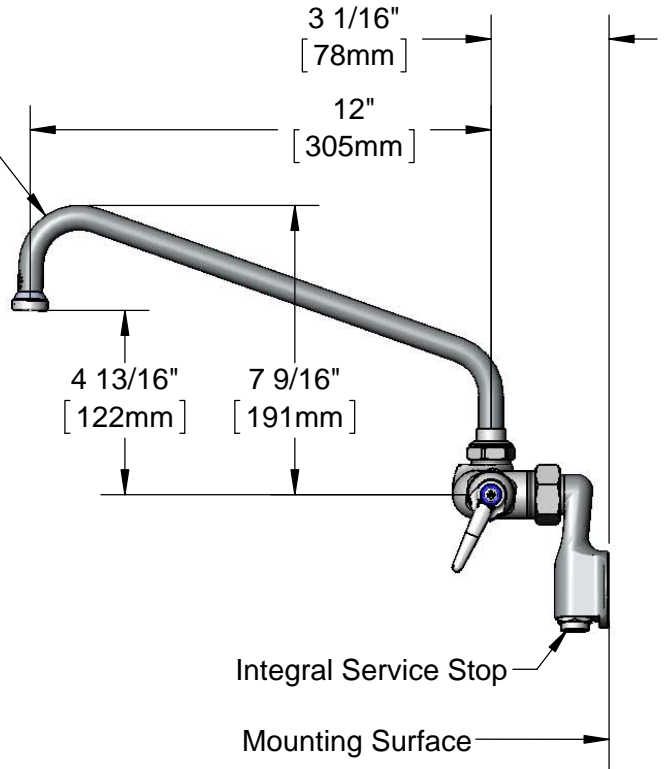
062X
12" Swing Nozzle
w/ Stream
Regulator Outlet

Swivel Joint

Eterna Cartridges
& Lever Handles
w/ Color Coded
Indexes

4"
[102mm]
Adjustable From
2 1/4" to 8 1/4"
[57mm to 210mm]
Above or Below c/c

Ø 2" [51mm]
Adjustable Wall
Flanges w/
1/2" NPT
Female Inlets



Product Specifications:
Wall Mount Mixing Faucet, Eterna Cartridges, Lever Handles,
12" Swing Nozzle & 1/2" NPT Female Inlet Adjustable Wall Flanges
w/ Integral Service Stops

Drawn DHL	Checked DMH	Approved JHB
Scale: 1:5		Date: 02/04/14



T&S BRASS AND BRONZE WORKS, INC.

2 Saddleback Cove / P.O. Box 1088
Travelers Rest, SC 29690

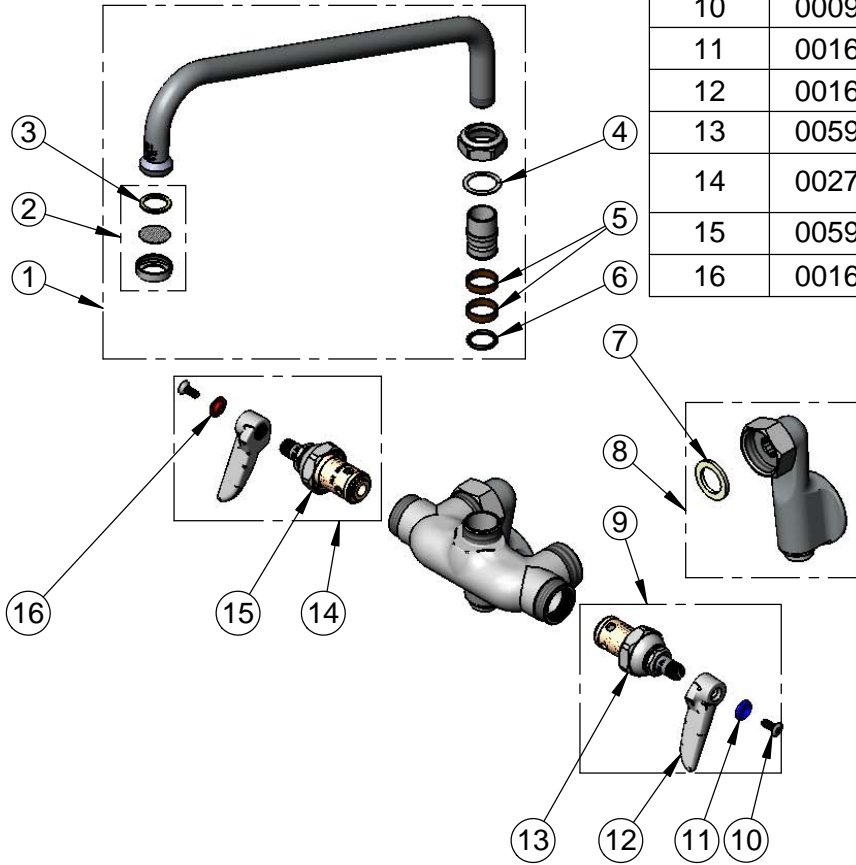
Model No.

B-0241

Item No.

Travelers Rest, SC: 800-476-4103 • Simi Valley, CA: 800-423-0150 • Fax: 864-834-3518 • www.tsbrass.com

ITEM NO.	SALES NO.	DESCRIPTION
1	062X	12" Swing Nozzle
2	B-PT	Stream Regulator Outlet
3	001048-45	Nozzle Tip Washer
4	009538-45	Swivel Washer
5	011429-45	Swivel Sleeves (2)
6	001074-45	O-Ring
7	001019-45	Coupling Nut Washer
8	00XX	1/2" NPT Female Inlet Adjustable Wall Flange w/ Screwdriver Stop
9	002713-40	Eterna Cartridge LTC w/ Handle, Index & Screw
10	000922-45	Lever Handle Screw
11	001660-45	Blue Index-CW
12	001638-45	Lever Handle
13	005959-40	Eterna Cartridge, LTC
14	002714-40	Eterna Cartridge RTC w/ Handle, Index & Screw
15	005960-40	Eterna Cartridge, RTC
16	001661-45	Red Index-HW



Product Specifications:

Wall Mount Mixing Faucet, Eterna Cartridges, Lever Handles, 12" Swing Nozzle & 1/2" NPT Female Inlet Adjustable Wall Flanges w/ Integral Service Stops

Drawn

DHL

Checked

DMH

Approved

JHB

Scale:

NTS

Date:

02/04/14



T&S BRASS AND BRONZE WORKS, INC.
 2 Saddleback Cove / P.O. Box 1088
 Travelers Rest, SC 29690

Model No.
B-0231

Item No.

Travelers Rest, SC: 800-476-4103 • Simi Valley, CA: 800-423-0150 • Fax: 864-834-3518 • www.tsbrass.com



ADA Compliant

This Space for Architect/Engineer Approval

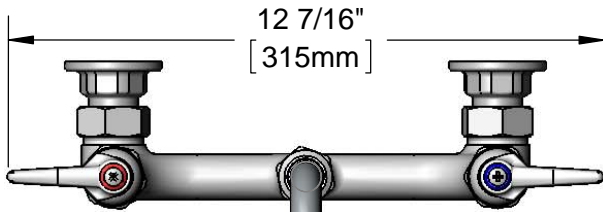
Job Name _____ Date _____

Model Specified _____ Quantity _____

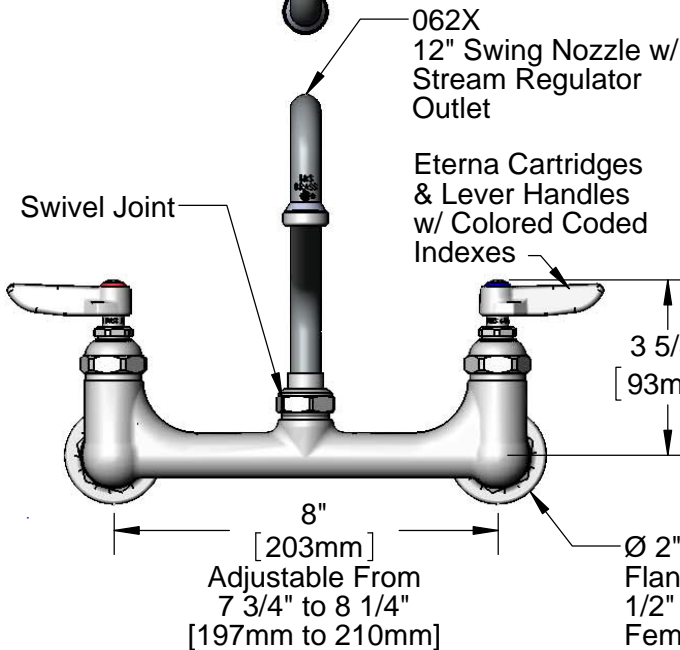
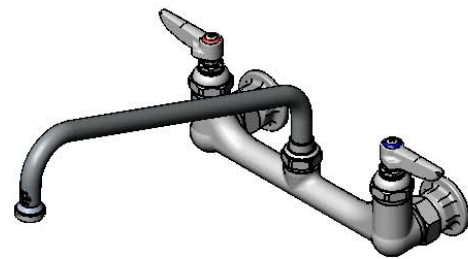
Customer/Wholesaler _____

Contractor _____

Architect/Engineer _____



12 7/16"
[315mm]



062X
12" Swing Nozzle w/
Stream Regulator
Outlet

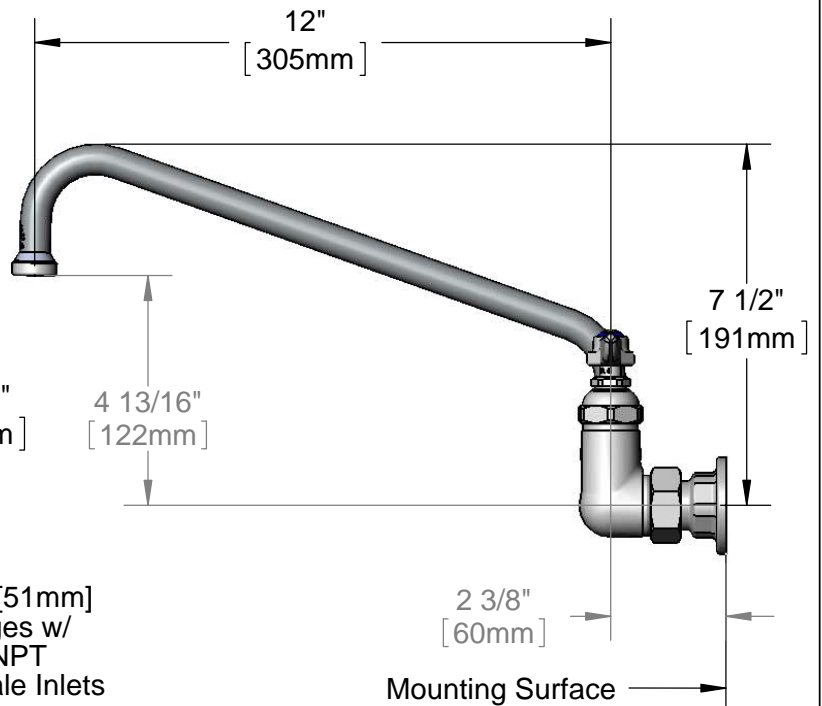
Eterna Cartridges
& Lever Handles
w/ Colored Coded
Indexes

Swivel Joint

3 5/8"
[93mm]

8"
[203mm]
Adjustable From
7 3/4" to 8 1/4"
[197mm to 210mm]

Ø 2" [51mm]
Flanges w/
1/2" NPT
Female Inlets



12"
[305mm]

4 13/16"
[122mm]

7 1/2"
[191mm]

2 3/8"
[60mm]

Mounting Surface

Product Specifications:

8" Wall Mount Mixing Faucet w/ Eterna Cartridges, Lever Handles,
12" Swing Nozzle & 1/2" NPT Female Inlets

Product Compliance:

ASME A112.18.1 / CSA B125.1
 NSF 61 - Section 9
 NSF 372 (Low Lead Content)
 ANSI A117.1 (ADA)



T&S BRASS AND BRONZE WORKS, INC.

2 Saddleback Cove / P.O. Box 1088
Travelers Rest, SC 29690

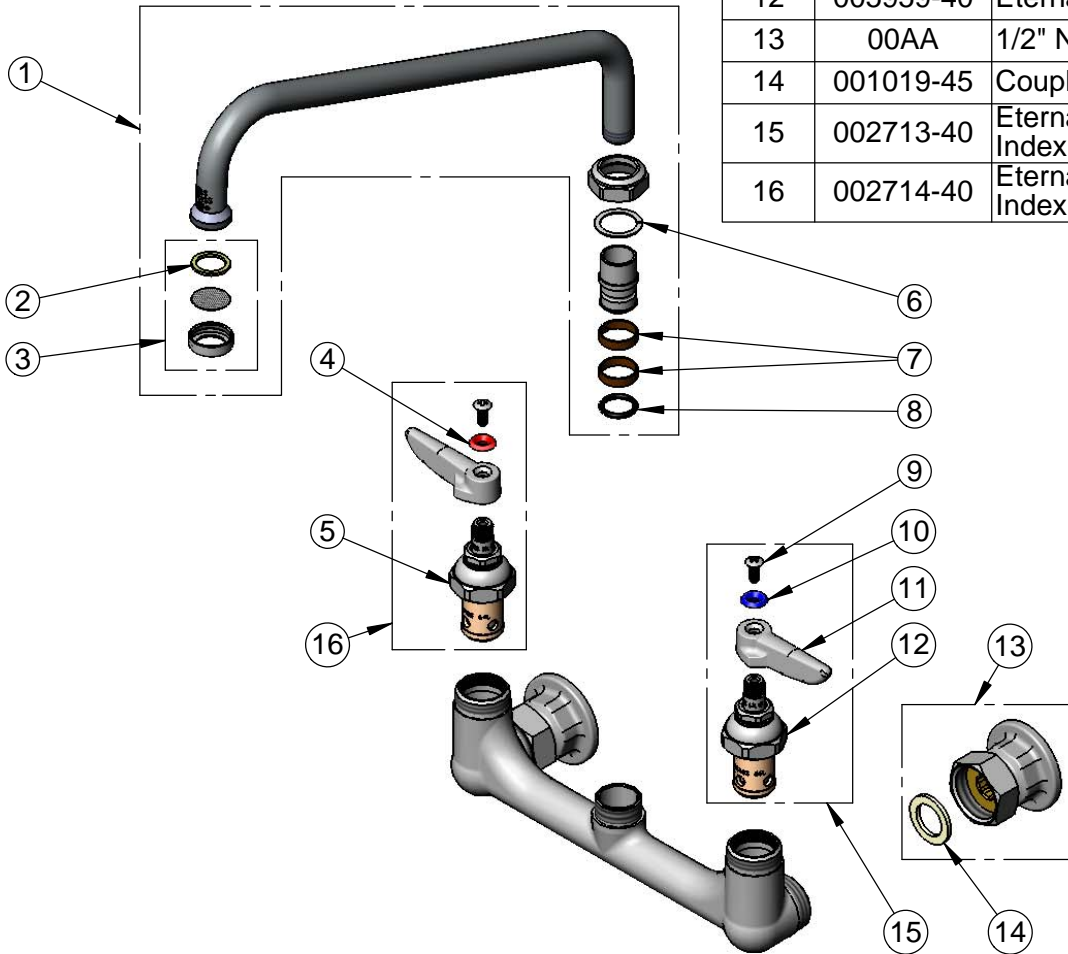
Model No.

B-0231

Item No.

Travelers Rest, SC: 800-476-4103 • Simi Valley, CA: 800-423-0150 • Fax: 864-834-3518 • www.tsbrass.com

ITEM NO.	SALES NO.	DESCRIPTION
1	062X	12" Swing Nozzle
2	001048-45	Nozzle Tip Washer
3	B-PT	Stream Regulator Outlet
4	001661-45	Red Index-HW
5	005960-40	Eterna Cartridge, RTC
6	009538-45	Swivel Washer
7	011429-45	Swivel Sleeves (2)
8	001074-45	O-Ring
9	000922-45	Lever Handle Screw
10	001660-45	Blue Index-CW
11	001638-45	Lever Handle
12	005959-40	Eterna Cartridge, LTC
13	00AA	1/2" NPT Female Eccentric Flange
14	001019-45	Coupling Nut Washer
15	002713-40	Eterna Cartridge, LTC w/ Handle, Index & Screw
16	002714-40	Eterna Cartridge, RTC w/ Handle, Index & Screw



Product Specifications:

8" Wall Mount Mixing Faucet w/ Eterna Cartridges, Lever Handles, 12" Swing Nozzle & 1/2" NPT Female Inlets

Product Compliance:

ASME A112.18.1 / CSA B125.1
NSF 61 - Section 9
NSF 372 (Low Lead Content)
ANSI A117.1 (ADA)



T&S BRASS AND BRONZE WORKS, INC.

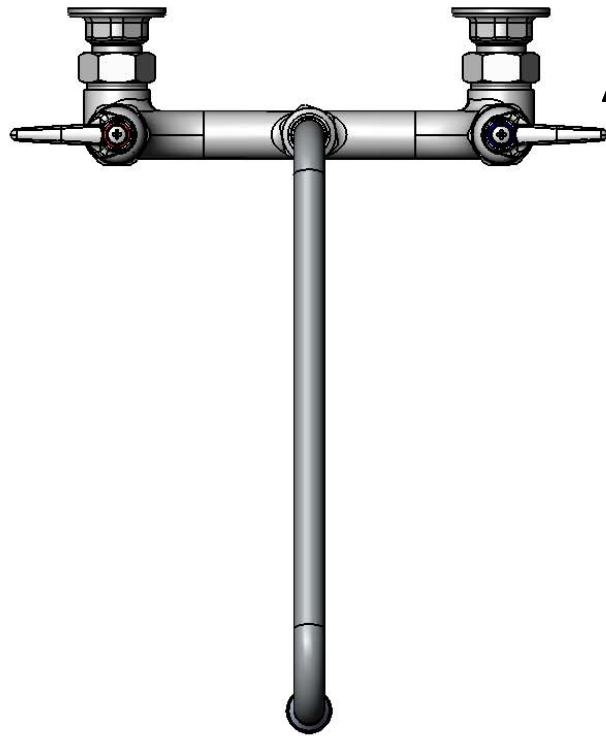
2 Saddleback Cove / P.O. Box 1088
Travelers Rest, SC 29690

Model No.

B-0231-BST

Item No.

Travelers Rest, SC: 800-476-4103 • Simi Valley, CA: 800-423-0150 • Fax: 864-834-3518 • www.tsbrass.com



ADA Compliant

This Space for Architect/Engineer Approval

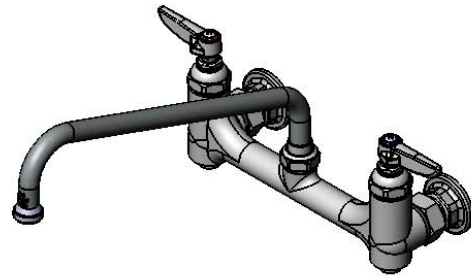
Job Name _____ Date _____

Model Specified _____ Quantity _____

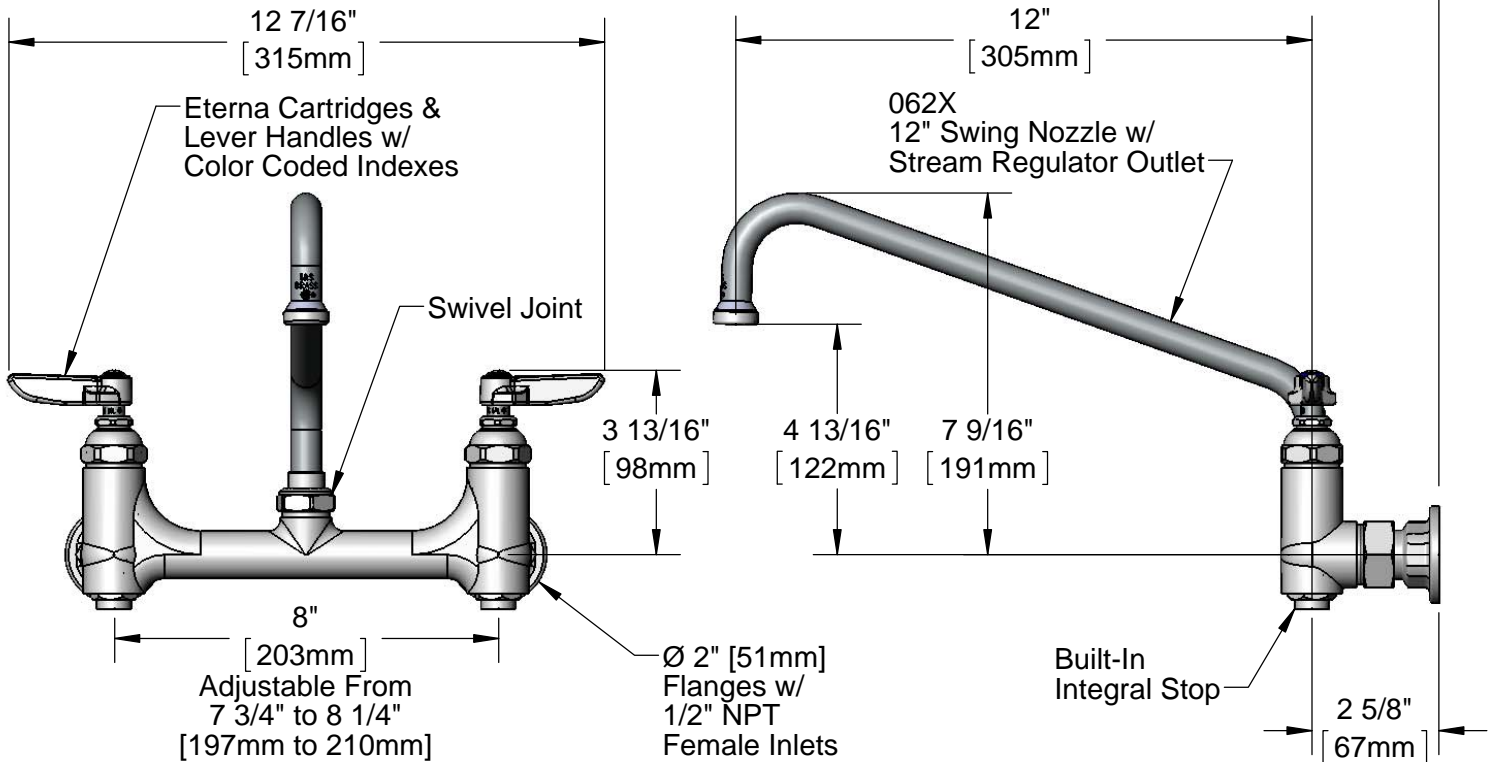
Customer/Wholesaler _____

Contractor _____

Architect/Engineer _____



Mounting Surface →



Product Specifications:

8" Wall Mount Mixing Faucet, Eterna Cartridges, Lever Handles, 12" Swing Nozzle, Built-In Stops & 1/2" NPT Female Inlets

Product Compliance:

ASME A112.18.1 / CSA B125.1
NSF 61 - Section 9
NSF 372 (Low Lead Content)
ANSI A117.1 (ADA)



T&S BRASS AND BRONZE WORKS, INC.

2 Saddleback Cove / P.O. Box 1088
Travelers Rest, SC 29690

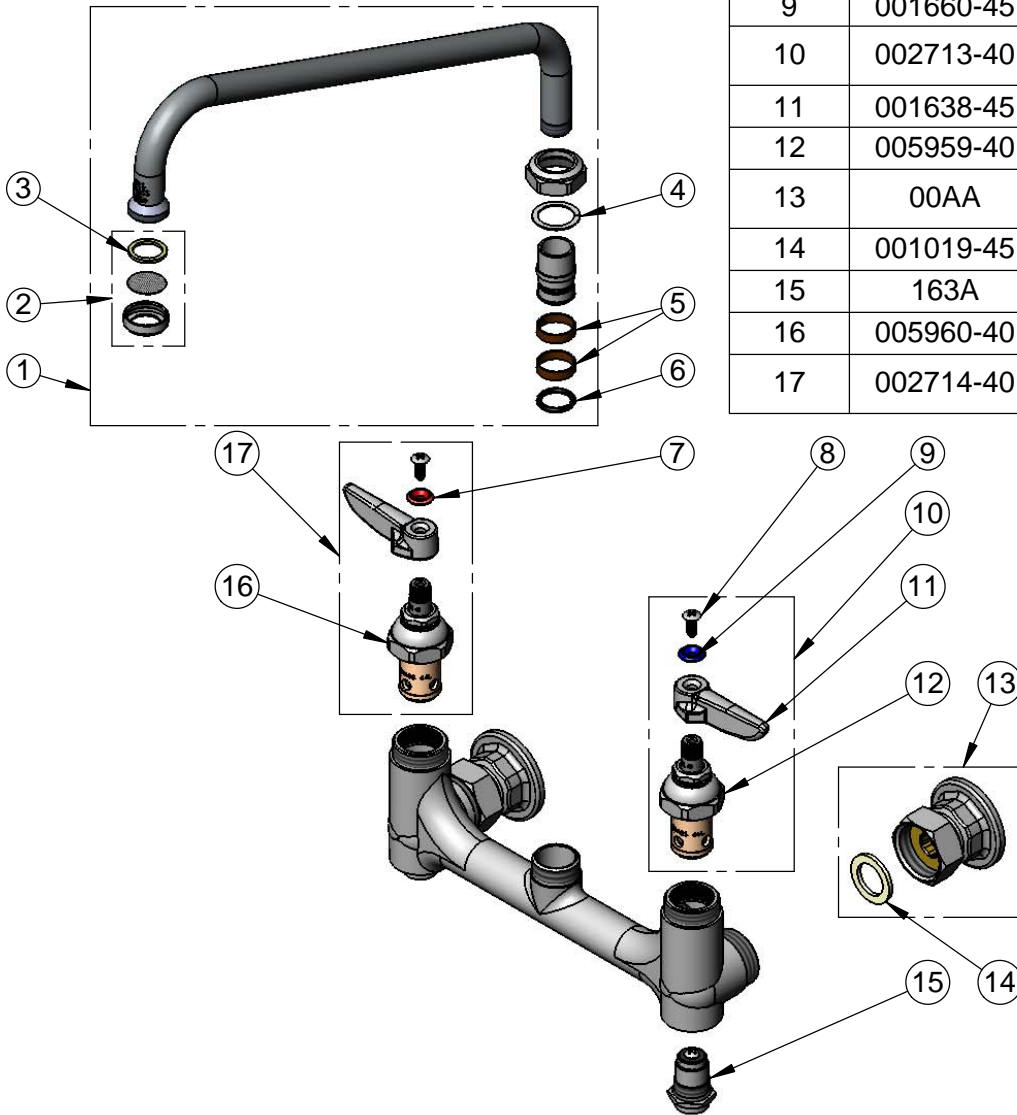
Model No.

B-0231-BST

Item No.

Travelers Rest, SC: 800-476-4103 • Simi Valley, CA: 800-423-0150 • Fax: 864-834-3518 • www.tsbrass.com

ITEM NO.	SALES NO.	DESCRIPTION
1	062X	12" Swing Nozzle
2	B-PT	Stream Regulator Outlet
3	001048-45	Nozzle Tip Washer
4	009538-45	Swivel Washer
5	011429-45	Swivel Sleeves (2)
6	001074-45	O-Ring
7	001661-45	Red Index-HW
8	000922-45	Lever Handle Screw
9	001660-45	Blue Index-CW
10	002713-40	Eterna Cartridge, LTC w/ Handle, Index & Screw
11	001638-45	Lever Handle
12	005959-40	Eterna Cartridge, LTC
13	00AA	1/2" NPT Female Eccentric Flange
14	001019-45	Coupling Nut Washer
15	163A	Built-in Service Stop
16	005960-40	Eterna Cartridge, RTC
17	002714-40	Eterna Cartridge, RTC w/ Handle, Index & Screw



Product Specifications:

8" Wall Mount Mixing Faucet, Eterna Cartridges, Lever Handles, 12" Swing Nozzle, Built-In Stops & 1/2" NPT Female Inlets

Product Compliance:

ASME A112.18.1 / CSA B125.1
NSF 61 - Section 9
NSF 372 (Low Lead Content)
ANSI A117.1 (ADA)



T&S BRASS AND BRONZE WORKS, INC.

2 Saddleback Cove / P.O. Box 1088
Travelers Rest, SC 29690

Model No.

B-0231-02

Item No.

Travelers Rest, SC: 800-476-4103 • Simi Valley, CA: 800-423-0150 • Fax: 864-834-3518 • www.tsbrass.com

This Space for Architect/Engineer Approval

Job Name _____ Date _____

Model Specified _____ Quantity _____

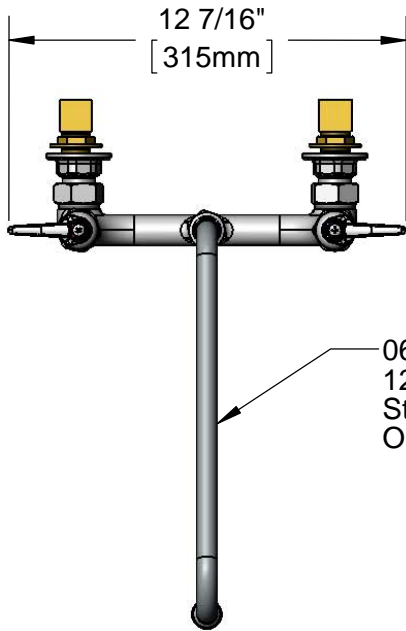
Customer/Wholesaler _____

Contractor _____

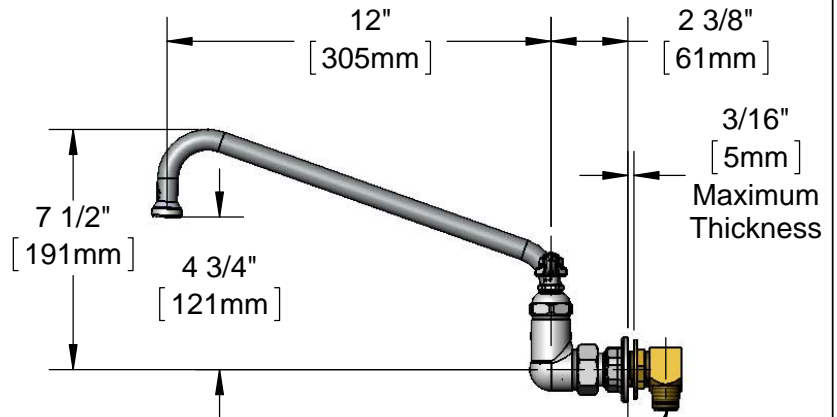
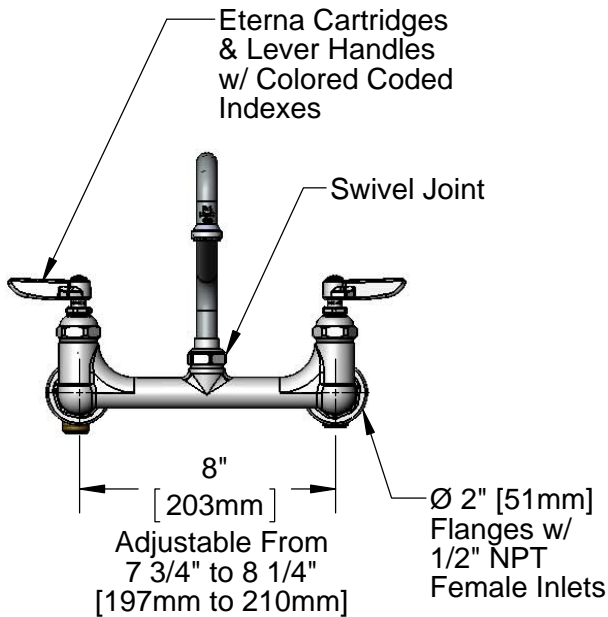
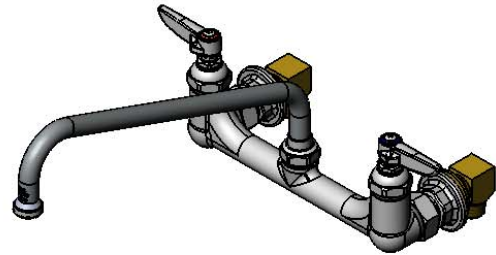
Architect/Engineer _____



ADA Compliant



062X
12" Swing Nozzle w/
Stream Regulator
Outlet



Mounting Surface

(2) B-0230-K
Short EI Installation Kit
w/ 1/2" NPT Male Inlets

Rough-In Requirement:
(2) \varnothing 1" [25mm] Mounting Holes

Product Specifications:

8" Wall Mount Mixing Faucet, Eterna Cartridges, Lever Handles, 12" Swing Nozzle w/ Stream Regulator Outlet & Short Elbow Installation Kit with 1/2" NPT Male Inlets

Product Compliance:

ASME A112.18.1 / CSA B125.1
NSF 61 - Section 9
NSF 372 (Low Lead Content)
ANSI A117.1 (ADA)



T&S BRASS AND BRONZE WORKS, INC.

2 Saddleback Cove / P.O. Box 1088
Travelers Rest, SC 29690

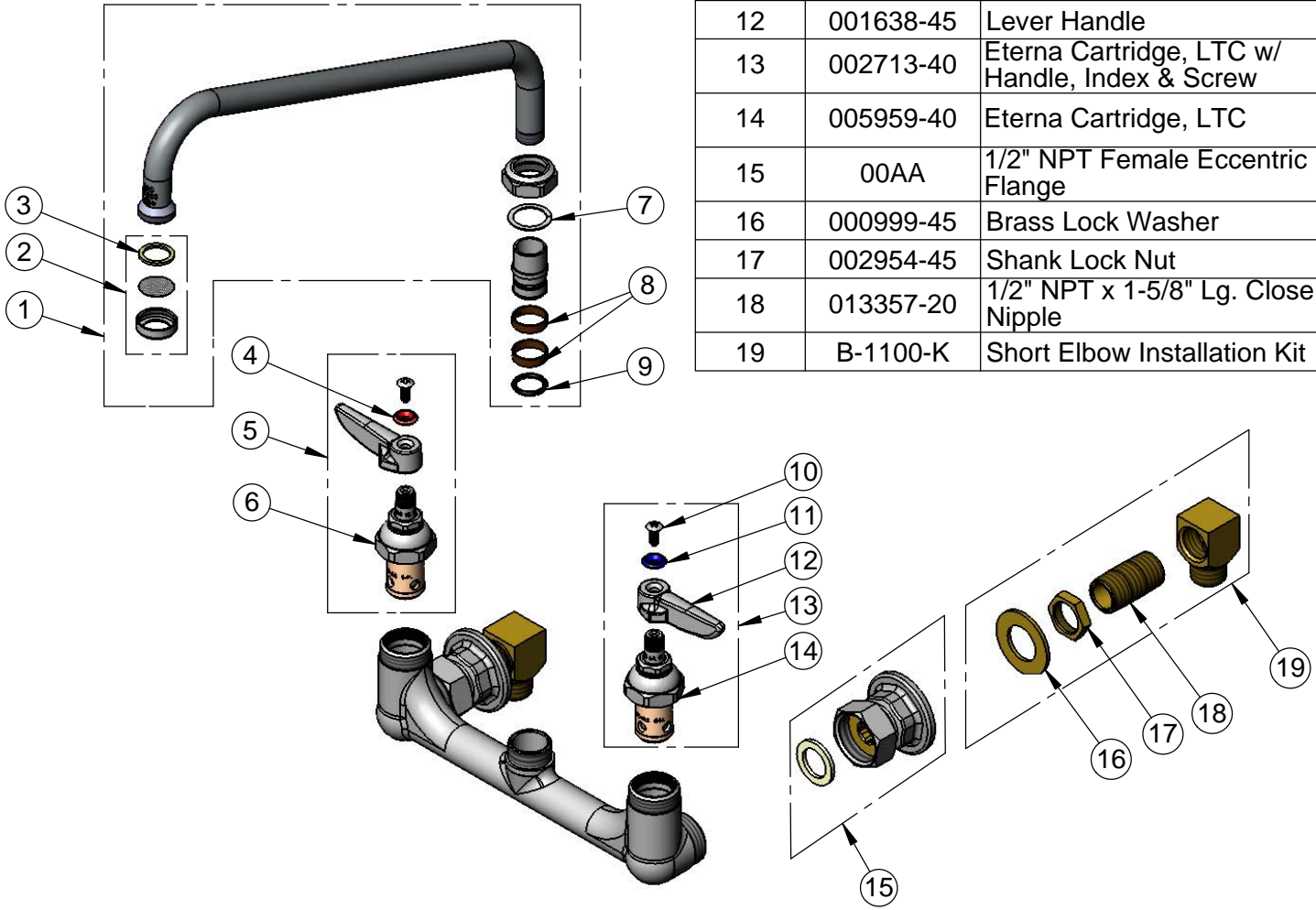
Model No.

B-0231-02

Item No.

Travelers Rest, SC: 800-476-4103 • Simi Valley, CA: 800-423-0150 • Fax: 864-834-3518 • www.tsbrass.com

ITEM NO.	SALES NO.	DESCRIPTION
1	062X	12" Swing Nozzle
2	B-PT	Stream Regulator Outlet
3	001048-45	Nozzle Tip Washer
4	001661-45	Red Index-HW
5	002714-40	Eterna Cartridge, RTC w/ Handle, Index & Screw
6	005960-40	Eterna Cartridge, RTC
7	009538-45	Swivel Washer
8	011429-45	Swivel Sleeves (2)
9	001074-45	O-Ring
10	000922-45	Lever Handle Screw
11	001660-45	Blue Index-CW
12	001638-45	Lever Handle
13	002713-40	Eterna Cartridge, LTC w/ Handle, Index & Screw
14	005959-40	Eterna Cartridge, LTC
15	00AA	1/2" NPT Female Eccentric Flange
16	000999-45	Brass Lock Washer
17	002954-45	Shank Lock Nut
18	013357-20	1/2" NPT x 1-5/8" Lg. Close Nipple
19	B-1100-K	Short Elbow Installation Kit



Product Specifications:
8" Wall Mount Mixing Faucet, Eterna Cartridges, Lever Handles, 12" Swing Nozzle w/ Stream Regulator Outlet & Short Elbow Installation Kit with 1/2" NPT Male Inlets

Product Compliance:
ASME A112.18.1 / CSA B125.1
NSF 61 - Section 9
NSF 372 (Low Lead Content)
ANSI A117.1 (ADA)



T&S BRASS AND BRONZE WORKS, INC.

2 Saddleback Cove / P.O. Box 1088
Travelers Rest, SC 29690

Model No.

B-0231-A22-CVH

Item No.

Travelers Rest, SC: 800-476-4103 • Simi Valley, CA: 800-423-0150 • Fax: 864-834-3518 • www.tsbrass.com



ADA Compliant

This Space for Architect/Engineer Approval

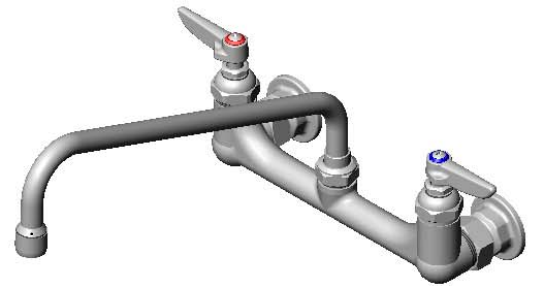
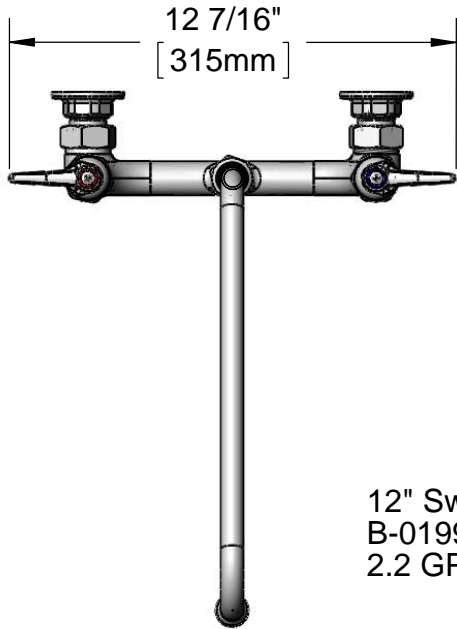
Job Name _____ Date _____

Model Specified _____ Quantity _____

Customer/Wholesaler _____

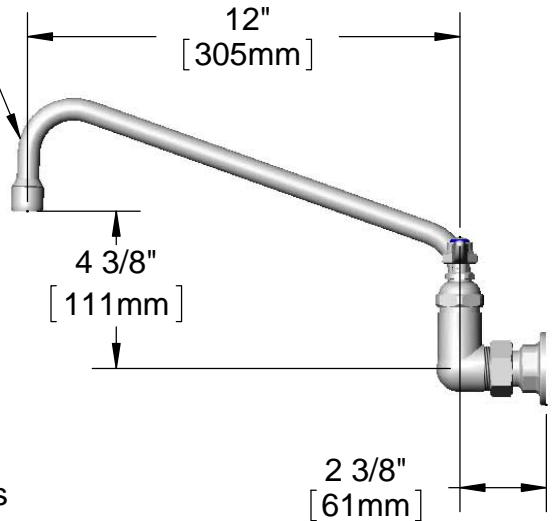
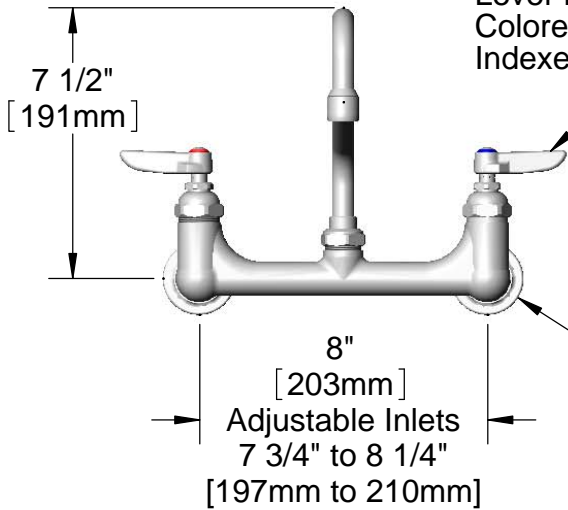
Contractor _____

Architect/Engineer _____



12" Swing Nozzle w/
B-0199-01
2.2 GPM Aerator

Eterna Cartridges &
Lever Handles w/
Colored Coded
Indexes



Ø2"
[51mm]
w/ 1/2" NPT
Female Inlets

(2) B-CVH1-2
1/2 NPT Female
Check Valves
Included



Product Specifications:

8" c/c Wall Mount Mixing Faucet w/ 1/2" NPT Female Inlet
Flanges, Lever Handles, 12" Swing Nozzle w/ 2.2 GPM Aerator,
& Check Valves

Drawn

KJG

Checked

DMH

Approved

JHB

Scale:

3:16

Date:

04/13/12



T&S BRASS AND BRONZE WORKS, INC.

2 Saddleback Cove / P.O. Box 1088
Travelers Rest, SC 29690

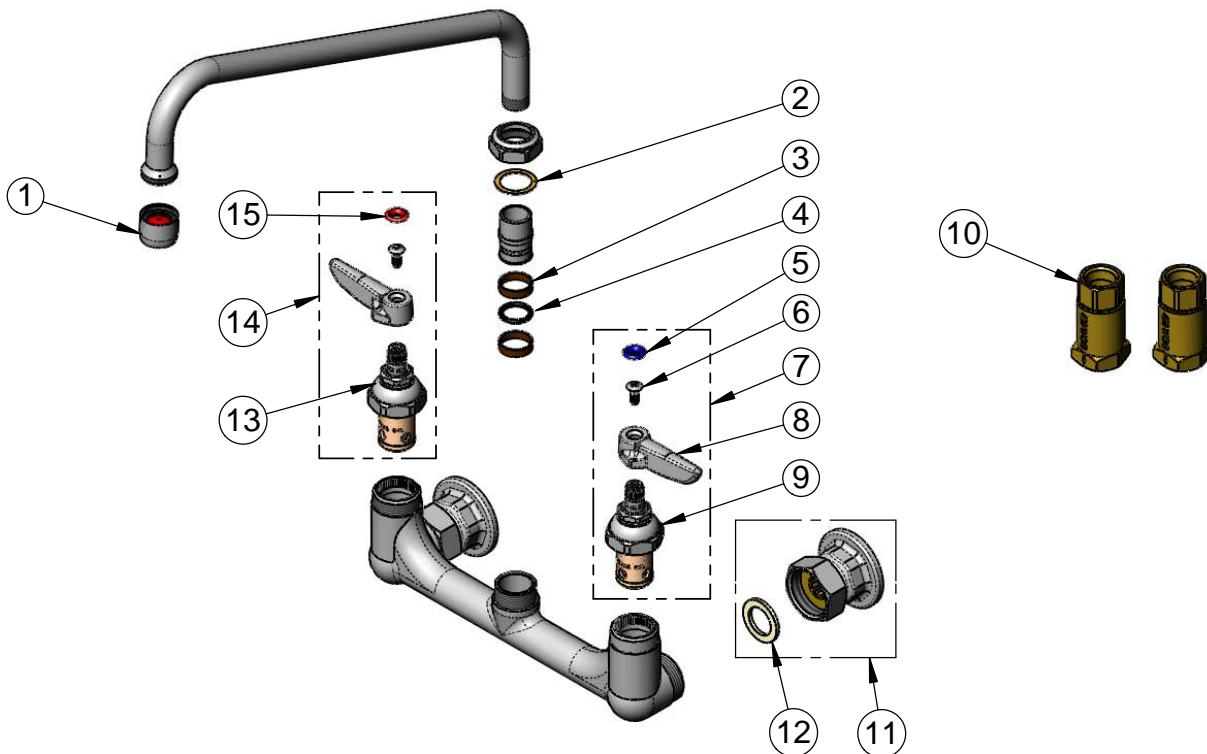
Model No.

B-0231-A22-CVH

Item No.

Travelers Rest, SC: 800-476-4103 • Simi Valley, CA: 800-423-0150 • Fax: 864-834-3518 • www.tsbrass.com

ITEM NO.	SALES NO.	DESCRIPTION
1	B-0199-01	2.2 GPM Aerator, Female
2	009538-45	Swivel Washer
3	011429-45	Swivel Sleeves (2)
4	001074-45	O-Ring
5	001660-45	Blue Index-CW
6	000922-45	Lever Handle Screw
7	002713-40	Eterna Cartridge LTC w/ Handle, Index & Screw
8	001638-45	Lever Handle
9	005959-40	Eterna Cartridge, LTC
10	B-CVH1-2	1/2" Check Valve
11	00AA	Coupling Wall Flange Assembly w/ Washer
12	001019-45	Coupling Nut Washer
13	005960-40	Eterna Cartridge, RTC
14	002714-40	Eterna Cartridge RTC w/ Handle, Index & Screw
15	001661-45	Red Index-HW



Product Specifications:
8" c/c Wall Mount Mixing Faucet w/ 1/2" NPT Female Inlet Flanges, Lever Handles, 12" Swing Nozzle w/ 2.2 GPM Aerator, & Check Valves

Drawn KJG	Checked DMH	Approved JHB
Scale: NTS		Date: 04/13/12



T&S BRASS AND BRONZE WORKS, INC.
 2 Saddleback Cove / P.O. Box 1088
 Travelers Rest, SC 29690

Model No.
B-0231-CR

Item No.

Travelers Rest, SC: 800-476-4103 • Simi Valley, CA: 800-423-0150 • Fax: 864-834-3518 • www.tsbrass.com



ADA Compliant

This Space for Architect/Engineer Approval

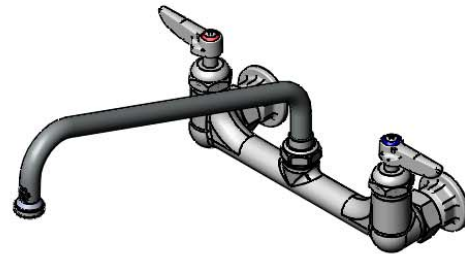
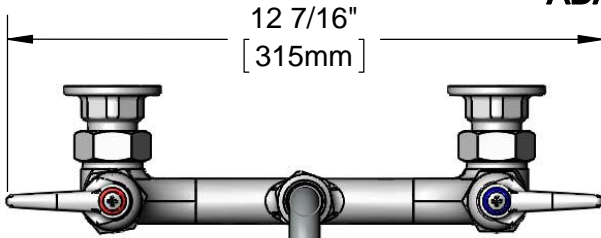
Job Name _____ Date _____

Model Specified _____ Quantity _____

Customer/Wholesaler _____

Contractor _____

Architect/Engineer _____



Cerama Cartridges & Lever Handles w/ Color Coded Indexes

2 3/8" [61mm]

12" [305mm]

062X
 12" Swing Nozzle w/
 Stream Regulator
 Outlet

Swivel Joint

3 5/8" [92mm]

7 1/2" [191mm]

4 3/4" [121mm]

8" [203mm]
 Adjustable from
 7 3/4" to 8 1/4"
 [197mm to 210mm]

Ø 2" [51mm]
 Flanges w/
 1/2" NPT
 Female Inlets

Mounting Surface

Product Specifications:

8" Wall Mount Mixing Faucet, Cerama Cartridges, Lever Handles, 12" Swing Nozzle & 1/2" NPT Female Inlets

Product Compliance:

ASME A112.18.1 / CSA B125.1
 NSF 61 - Section 9
 NSF 372 (Low Lead Content)
 ANSI A117.1 (ADA)



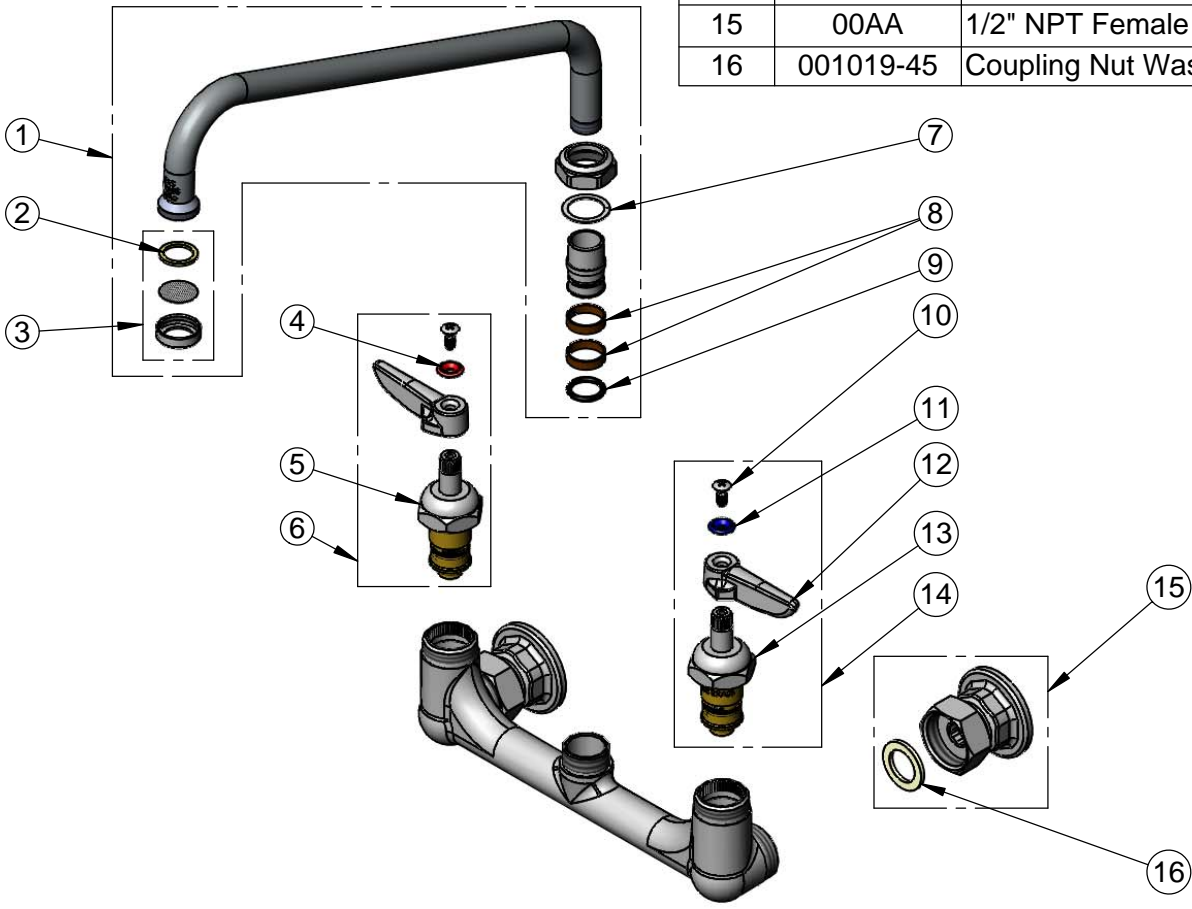
T&S BRASS AND BRONZE WORKS, INC.
 2 Saddleback Cove / P.O. Box 1088
 Travelers Rest, SC 29690

Model No.
B-0231-CR

Item No.

Travelers Rest, SC: 800-476-4103 • Simi Valley, CA: 800-423-0150 • Fax: 864-834-3518 • www.tsbrass.com

ITEM NO.	SALES NO.	DESCRIPTION
1	062X	12" Swing Nozzle
2	B-PT	Stream Regulator Outlet
3	001048-45	Nozzle Tip Washer
4	001661-45	Red Index-HW
5	011278-25	Cerama Cartridge, RTC
6	012444-25	Cerama Cartridge, RTC w/ Handle, Index & Screw
7	009538-45	Swivel Washer
8	011429-45	Swivel Sleeves (2)
9	001074-45	O-Ring
10	000922-45	Lever Handle Screw
11	001660-45	Blue Index-CW
12	001638-45	Lever Handle
13	011279-25	Cerama Cartridge, LTC
14	012445-25	Cerama Cartridge, RTC w/ Handle, Index & Screw
15	00AA	1/2" NPT Female Eccentric Flange
16	001019-45	Coupling Nut Washer



Product Specifications:
 8" Wall Mount Mixing Faucet, Cerama Cartridges, Lever Handles,
 12" Swing Nozzle & 1/2" NPT Female Inlets

Product Compliance:
 ASME A112.18.1 / CSA B125.1
 NSF 61 - Section 9
 NSF 372 (Low Lead Content)
 ANSI A117.1 (ADA)



T&S BRASS AND BRONZE WORKS, INC.

2 Saddleback Cove / P.O. Box 1088
Travelers Rest, SC 29690

Model No.

B-0231-CR-SC

Item No.

Travelers Rest, SC: 800-476-4103 • Simi Valley, CA: 800-423-0150 • Fax: 864-834-3518 • www.tsbrass.com



ADA Compliant

This Space for Architect/Engineer Approval

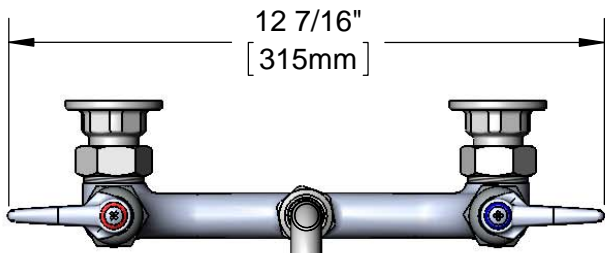
Job Name _____ Date _____

Model Specified _____ Quantity _____

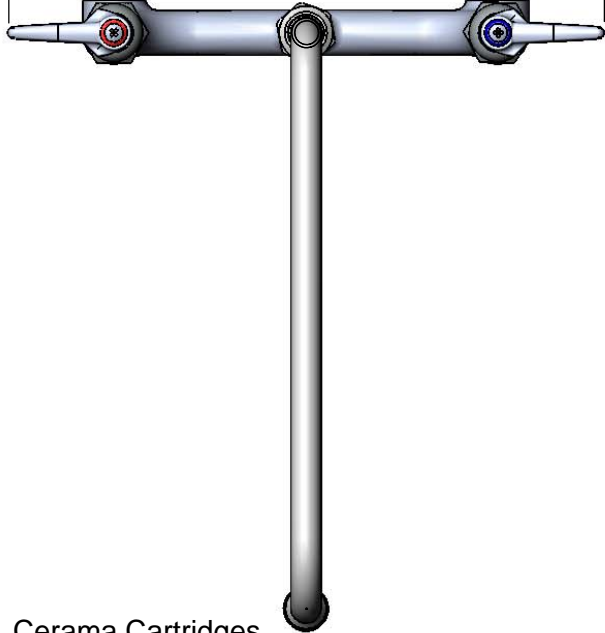
Customer/Wholesaler _____

Contractor _____

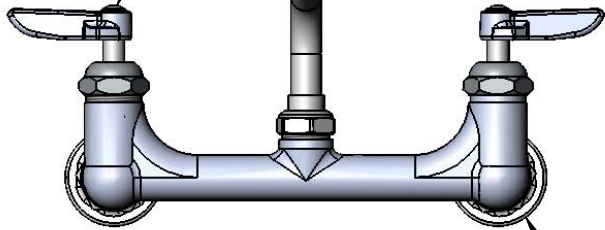
Architect/Engineer _____



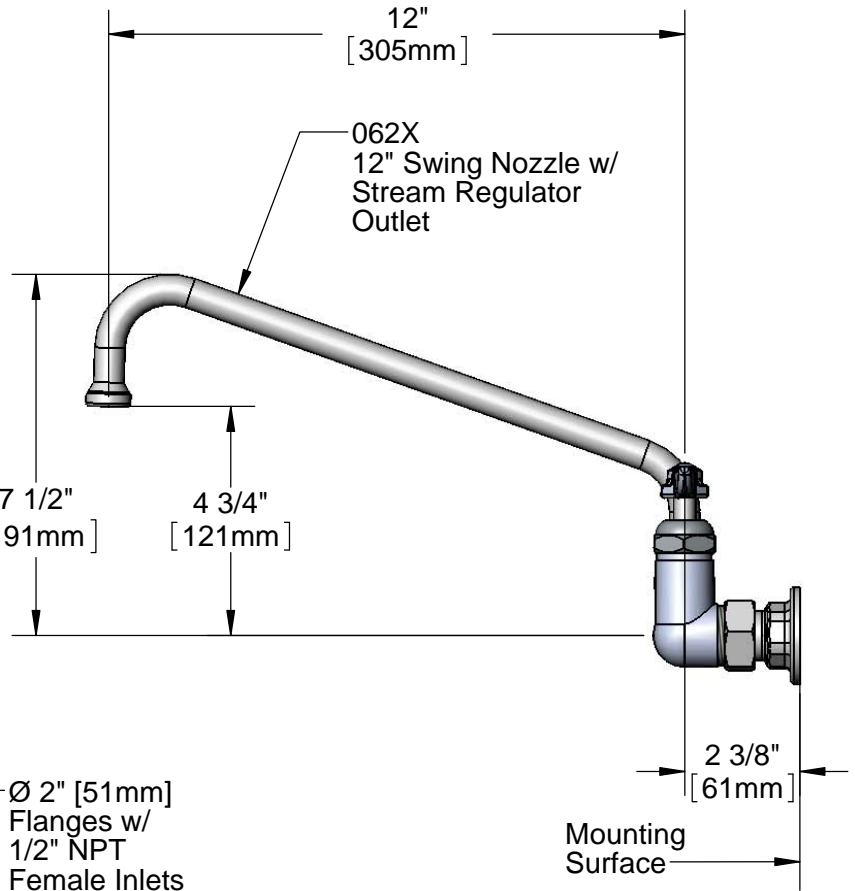
12 7/16"
[315mm]



Cerama Cartridges
w/ Check Valves &
Lever Handles w/
Colored Coded
Indexes



8"
[203mm]
Adjustable From
7 3/4" to 8 1/4"
[197mm to 210mm]



Product Specifications:

8" Wall Mount Mixing Faucet, Cerama Cartridges w/ Check Valves, Lever Handles, 12" Swing Nozzle w/ Stream Regulator Outlet & 1/2" NPT Female Inlets

Drawn

DHL

Checked

JRM

Approved

JHB

Scale:

1:4

Date:

08/02/12



T&S BRASS AND BRONZE WORKS, INC.

2 Saddleback Cove / P.O. Box 1088
Travelers Rest, SC 29690

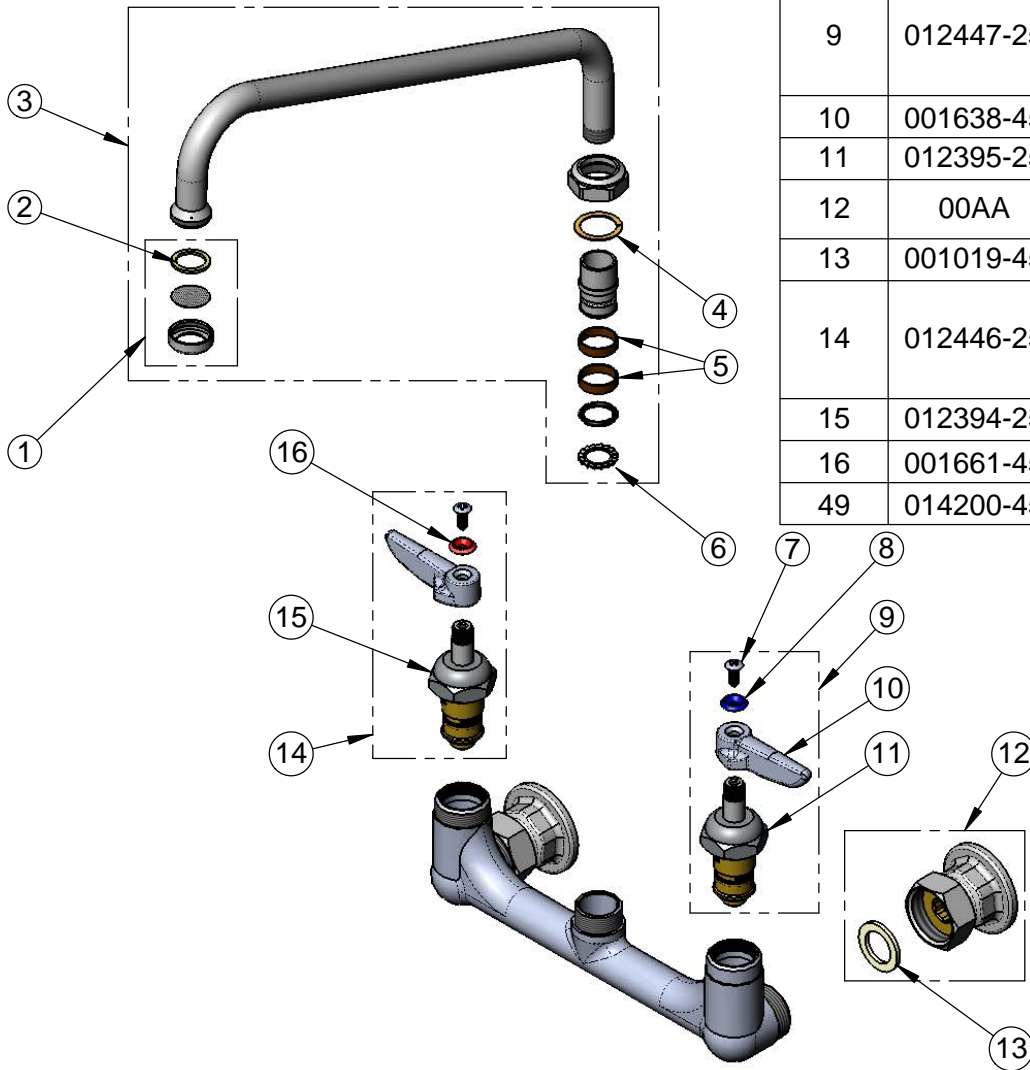
Model No.

B-0231-CR-SC

Item No.

Travelers Rest, SC: 800-476-4103 • Simi Valley, CA: 800-423-0150 • Fax: 864-834-3518 • www.tsbrass.com

ITEM NO.	SALES NO.	DESCRIPTION
1	B-PT	Stream Regulator Outlet
2	001048-45	Nozzle Tip Washer
3	062X	12" Swing Nozzle w/ B-PT Stream Regulator Outlet
4	009538-45	Swivel Washer
5	011429-45	Swivel Sleeves (2)
6	001074-45	O-Ring
7	000922-45	Lever Handle Screw
8	001660-45	Blue Index-CW
9	012447-25	Cerama Cartridges, LTC w/ Check Valves, Lever Handles & Color Coded Indexes
10	001638-45	Lever Handle
11	012395-25	Cerama Cartridge, LTC
12	00AA	1/2" NPT Female Flange Assembly
13	001019-45	Coupling Nut Washer
14	012446-25	Cerama Cartridges, RTC w/ Check Valves, Lever Handles & Color Coded Indexes
15	012394-25	Cerama Cartridge, RTC
16	001661-45	Red Index-HW
49	014200-45	Star Washer, Anti-Rotation



Product Specifications:

8" Wall Mount Mixing Faucet, Cerama Cartridges w/ Check Valves, Lever Handles, 12" Swing Nozzle w/ Stream Regulator Outlet & 1/2" NPT Female Inlets

Drawn

DHL

Checked

JRM

Approved

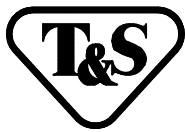
JHB

Scale:

NTS

Date:

08/02/12



T&S BRASS AND BRONZE WORKS, INC.

2 SADDLEBACK COVE / P.O. BOX 1088 / TRAVELERS REST, SC 29690

PHONE 800-476-4103

FAX 864-834-3518



REG. #A2601
ISO #9001

Model No.

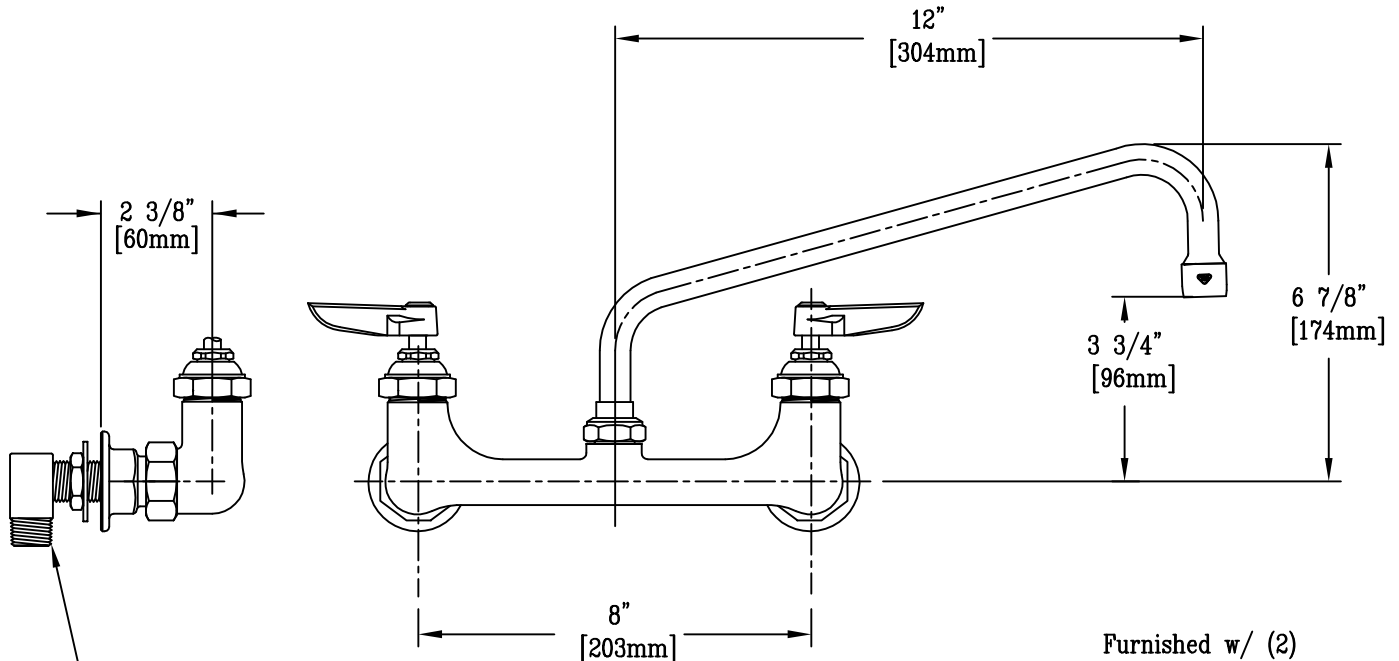
B-0233

Item No.:

Job Name:

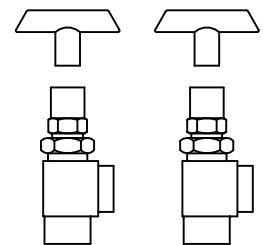
Architect/Engineer Approval:

Notes:

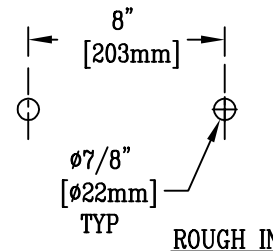
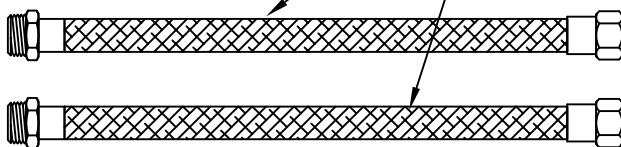


(2) B-0230-K Supply Nipple Elbow Kits

Furnished w/ (2)
B-0418 Supply Stops. 1/2" NPT Female Inlet.



Furnished w/ (2)
013121-45 36" Long
Flexible Supply Hoses. 1/2" NPT Male x 1/2" NPSM Female



Product Description:

8" c/c Wall Mount Mixing Fct, 1/2" NPT Female Inlets, Lever Handles, 12" Swing Nozzle, 2.2 GPM Aerator, Supply Hoses, Elbows, & Stops

Drawn:

WJS

Approved

JHB

Checked

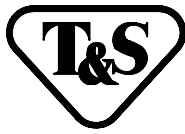
JRM

Scale:

1 : 4

Date:

4/26/06



T&S BRASS AND BRONZE WORKS, INC.
 2 SADDLEBACK COVE / P.O. BOX 1088 / TRAVELERS REST, SC 29690
 (803) 834-4102 TELEX 57-0311 FAX (803) 834-3518

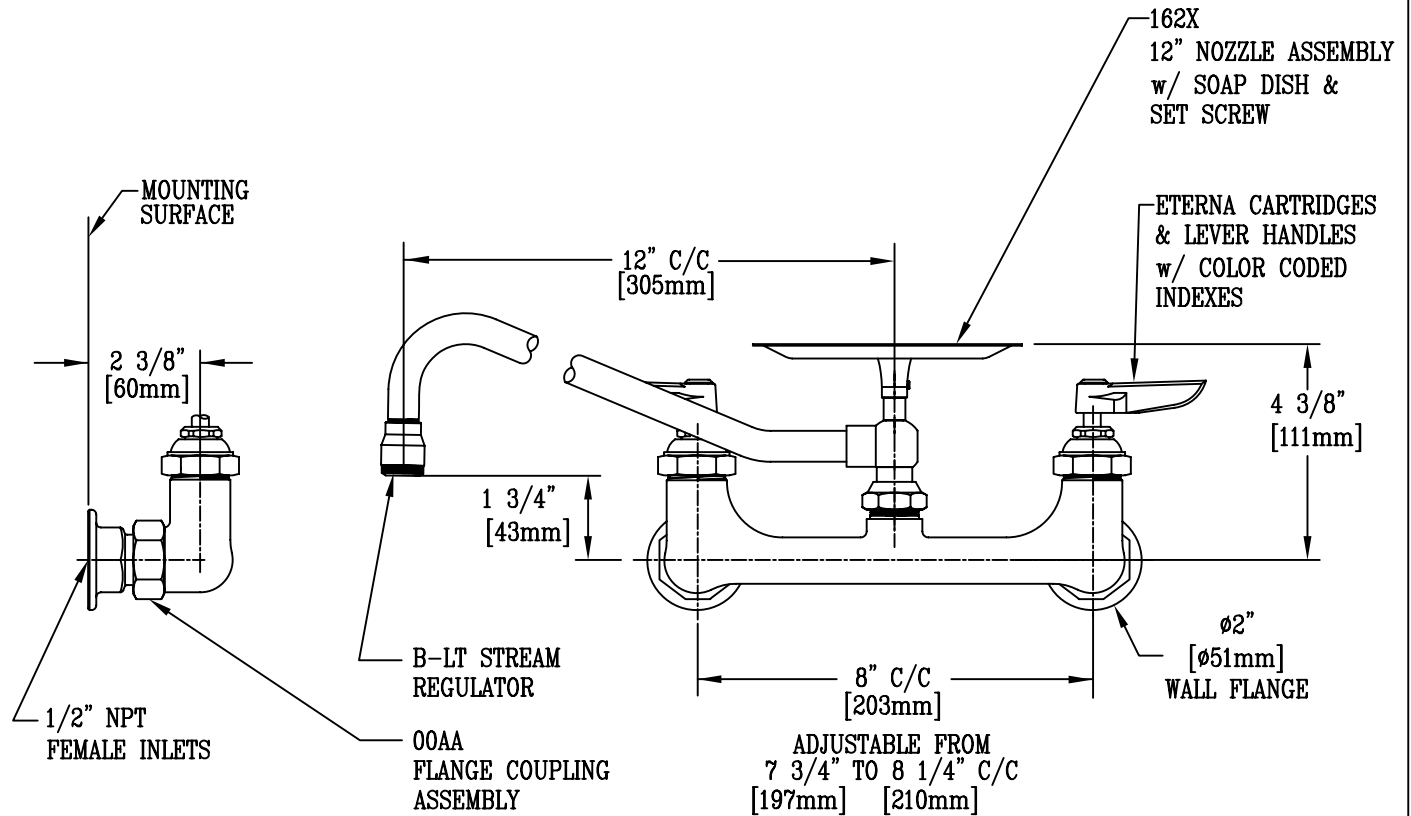
Model No.
B-0233-03
Item No.:

Job Name:	Architect/Engineer Approval:
-----------	------------------------------

Notes:



ADA COMPLIANT



NOTES:

1. SOAP DISH TURNS WITH NOZZLE.

Product Description: 8" c/c WALL MOUNT MIXING FAUCET, LEVER HANDLES, 12" NOZZLE ASSEMBLY w/ SOAP DISH ATTACHMENT, B-LT STREAM REGULATOR & 1/2" NPT FEMALE INLETS	Drawn:	Checked:	Scale:
	KJG	DHL	1:4
	Approved:		Date:
JHB		10/05/09	



T&S BRASS AND BRONZE WORKS, INC.

2 Saddleback Cove / P.O. Box 1088
Travelers Rest, SC 29690

Model No.

B-2445

Item No.

Travelers Rest, SC: 800-476-4103 • Simi Valley, CA: 800-423-0150 • Fax: 864-834-3518 • www.tsbrass.com



ADA Compliant

This Space for Architect/Engineer Approval

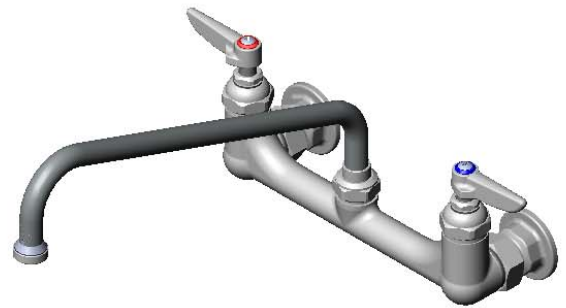
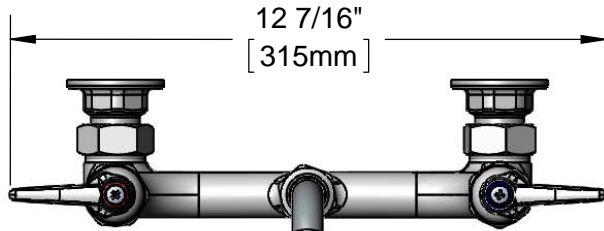
Job Name _____ Date _____

Model Specified _____ Quantity _____

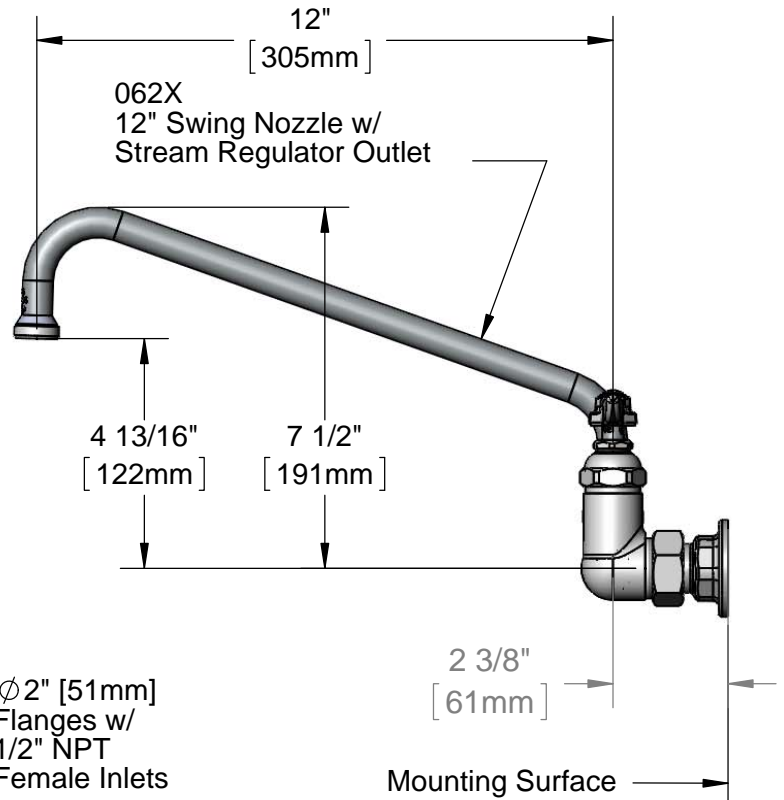
Customer/Wholesaler _____

Contractor _____

Architect/Engineer _____



Eterna Cartridges w/
Spring Checks &
Lever Handles w/
Color Coded Indexes



Swivel Joint

3 11/16" [94mm]

8" [203mm]

Adjustable From
7 3/4" to 8 1/4"
[197mm to 210mm]

Ø2" [51mm]
Flanges w/
1/2" NPT
Female Inlets

Mounting Surface

Product Specifications:

8" Wall Mount Mixing Faucet, Eterna Cartridges w/ Spring Checks, Lever Handles, 12" Swing Nozzle & 1/2" NPT Female Inlets

Product Compliance:

ASME A112.18.1 / CSA B125.1
NSF 61 - Section 9
NSF 372 (Low Lead Content)
ANSI A117.1 (ADA)



T&S BRASS AND BRONZE WORKS, INC.

2 Saddleback Cove / P.O. Box 1088
Travelers Rest, SC 29690

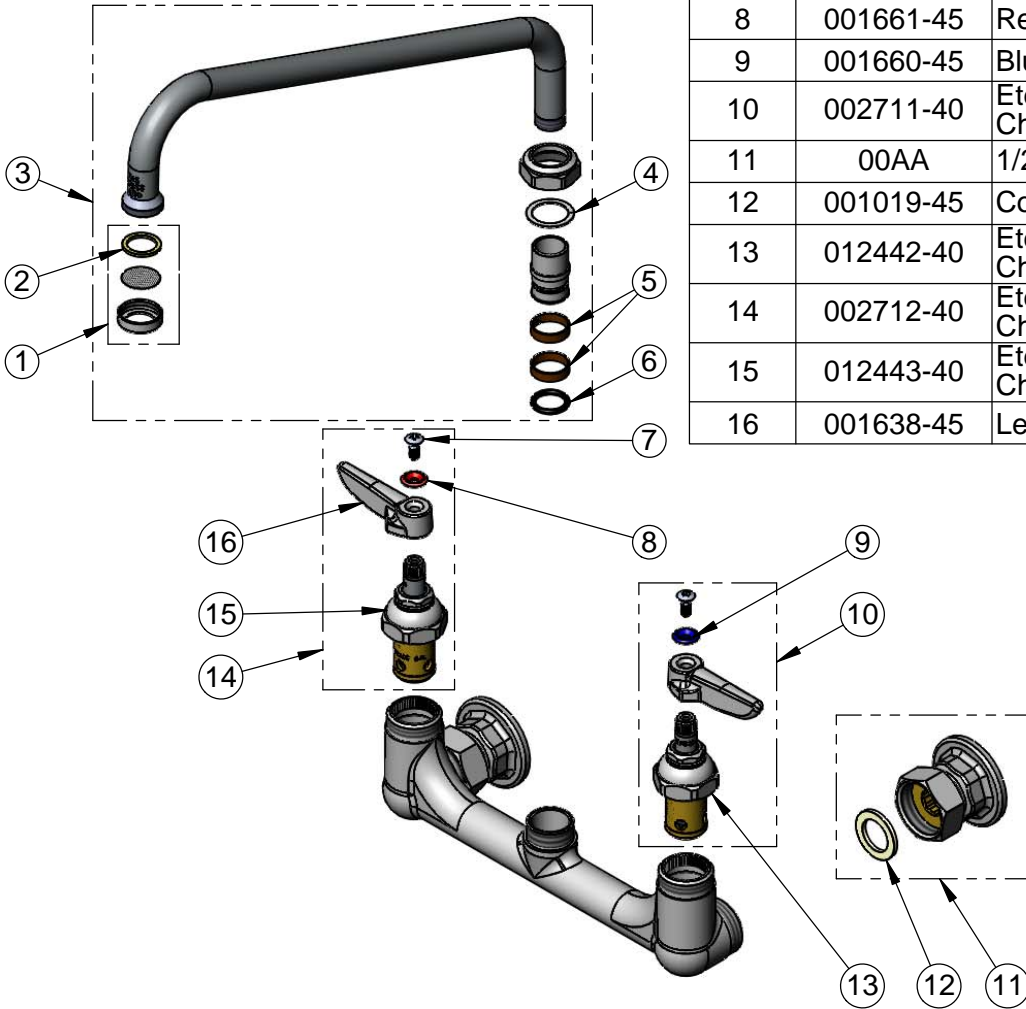
Model No.

B-2445

Item No.

Travelers Rest, SC: 800-476-4103 • Simi Valley, CA: 800-423-0150 • Fax: 864-834-3518 • www.tsbrass.com

ITEM NO.	SALES NO.	DESCRIPTION
1	B-PT	Stream Regulator Outlet
2	001048-45	Nozzle Tip Washer
3	062X	12" Swing Nozzle
4	009538-45	Swivel Washer
5	011429-45	Swivel Sleeves (2)
6	001074-45	O-Ring
7	000922-45	Lever Handle Screw
8	001661-45	Red Index-HW
9	001660-45	Blue Index-CW
10	002711-40	Eterna Cartridge, LTC w/ Spring Check, Handle, Index & Screw
11	00AA	1/2" NPT Female Eccentric Flange
12	001019-45	Coupling Nut Washer
13	012442-40	Eterna Cartridge, LTC w/ Spring Check
14	002712-40	Eterna Cartridge, RTC w/ Spring Check, Handle, Index & Screw
15	012443-40	Eterna Cartridge, RTC w/ Spring Check
16	001638-45	Lever Handle



Product Specifications:

8" Wall Mount Mixing Faucet, Eterna Cartridges w/ Spring Checks, Lever Handles, 12" Swing Nozzle & 1/2" NPT Female Inlets

Product Compliance:

ASME A112.18.1 / CSA B125.1
NSF 61 - Section 9
NSF 372 (Low Lead Content)
ANSI A117.1 (ADA)



T&S BRASS AND BRONZE WORKS, INC.
 2 SADDLEBACK COVE / P.O. BOX 1088 / TRAVELERS REST, SC 29690
 PHONE 800-476-4103 - FAX 864- 834-3518



Model No.

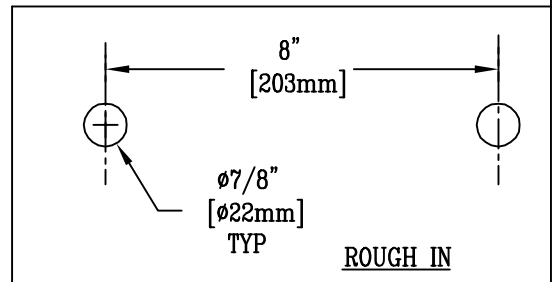
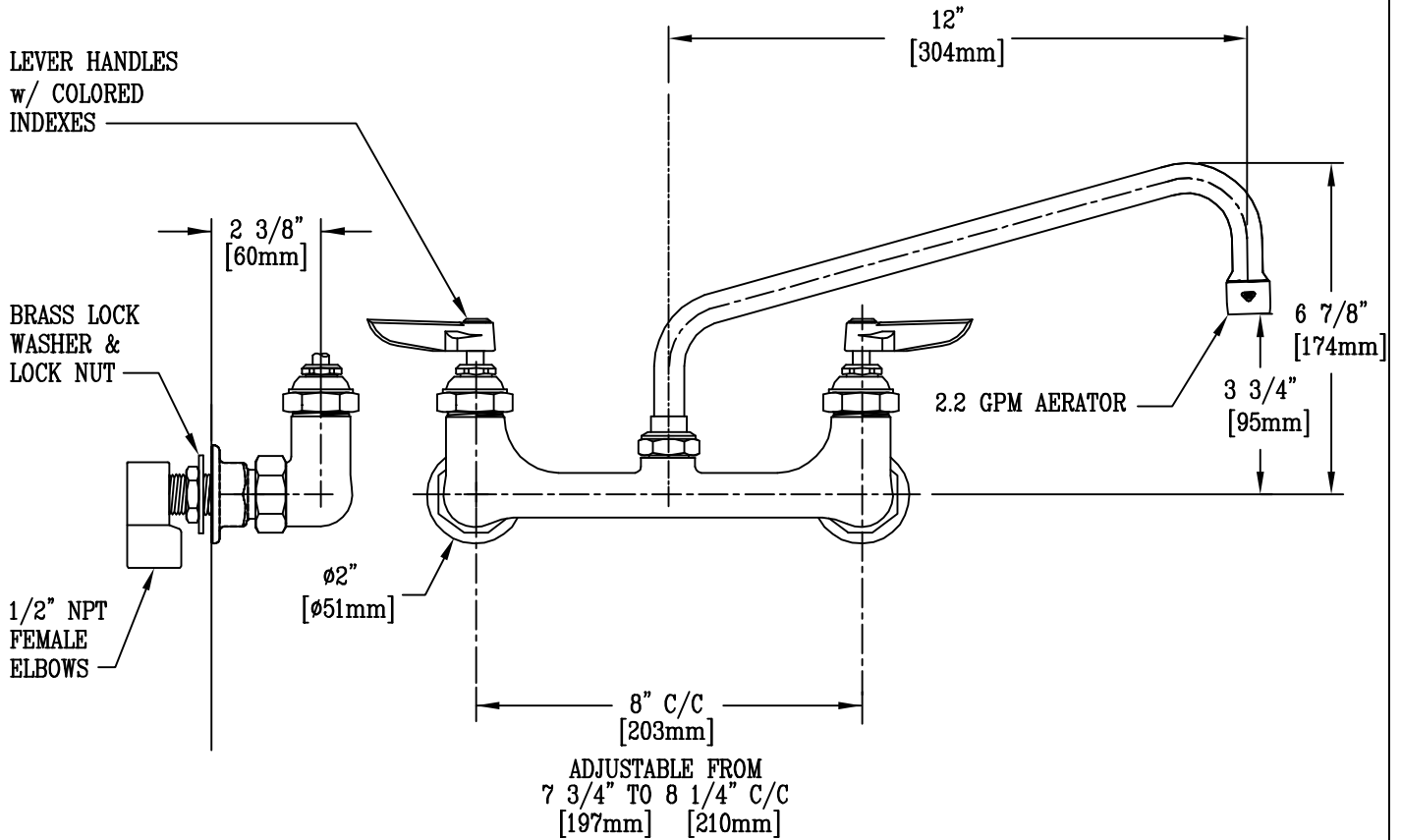
B-0244

**RELIABILITY
 BUILT IN**

Job Name:

Architect/Engineer Approval:

Notes:



RECOMMENDED PRESSURE RANGE: 20-125 PSI.
 MAX OPERATING TEMPERATURE 150° F.

Product Description:
 8" c/c WALL MOUNT MIXING FAUCET w/ 1/2" NPT FEMALE ECCENTRIC
 INLETS, 1/2" NPT FEMALE ELBOWS, RENEWABLE SEATS,
 12" SWING NOZZLE w/ 2.2 GPM AERATOR

Drawn: WJS	Checked LEL	Scale: 1 : 4
Approved MVW	Date: 7/24/03	



T&S BRASS AND BRONZE WORKS, INC.

2 Saddleback Cove / P.O. Box 1088
Travelers Rest, SC 29690

Model No.

B-0231-CR-EK

Item No.

Travelers Rest, SC: 800-476-4103 • Simi Valley, CA: 800-423-0150 • Fax: 864-834-3518 • www.tsbrass.com

This Space for Architect/Engineer Approval

Job Name _____ Date _____

Model Specified _____ Quantity _____

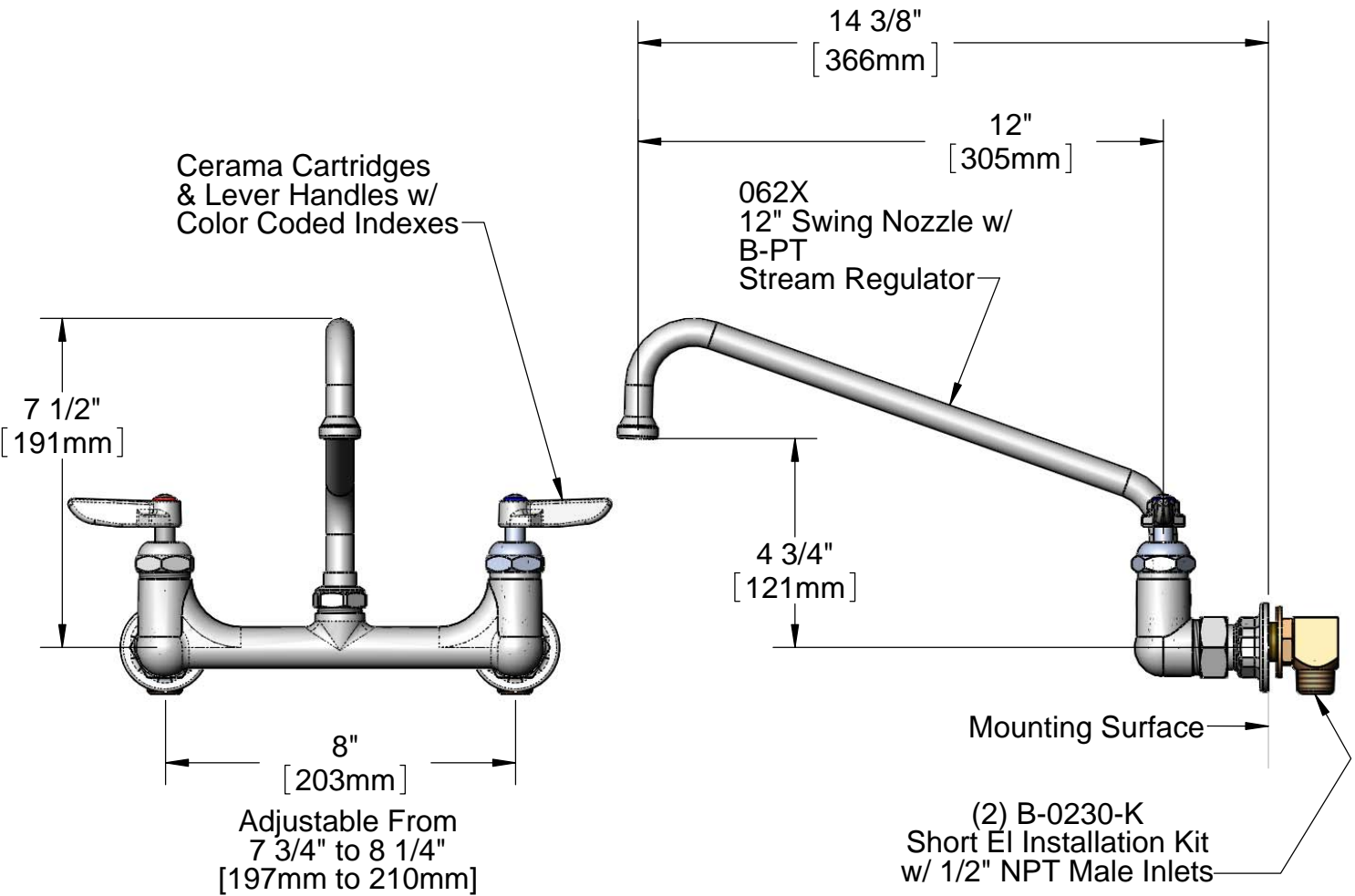
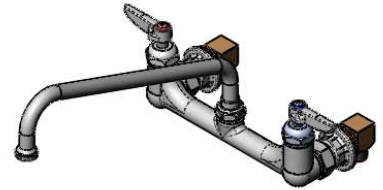
Customer/Wholesaler _____

Contractor _____

Architect/Engineer _____



ADA Compliant



Product Specifications:
8" Wall Mount Base Faucet, Cerama Cartridges, 062X Swing Nozzle, Lever Handles & 00AA Wall Flanges & (2) Short Elbow Installation Kit w/ 1/2" NPT Male Inlets

Drawn KJG	Checked GEF	Approved JHB
Scale: 1:4	Date: 11/28/11	



T&S BRASS AND BRONZE WORKS, INC.

2 Saddleback Cove / P.O. Box 1088
Travelers Rest, SC 29690

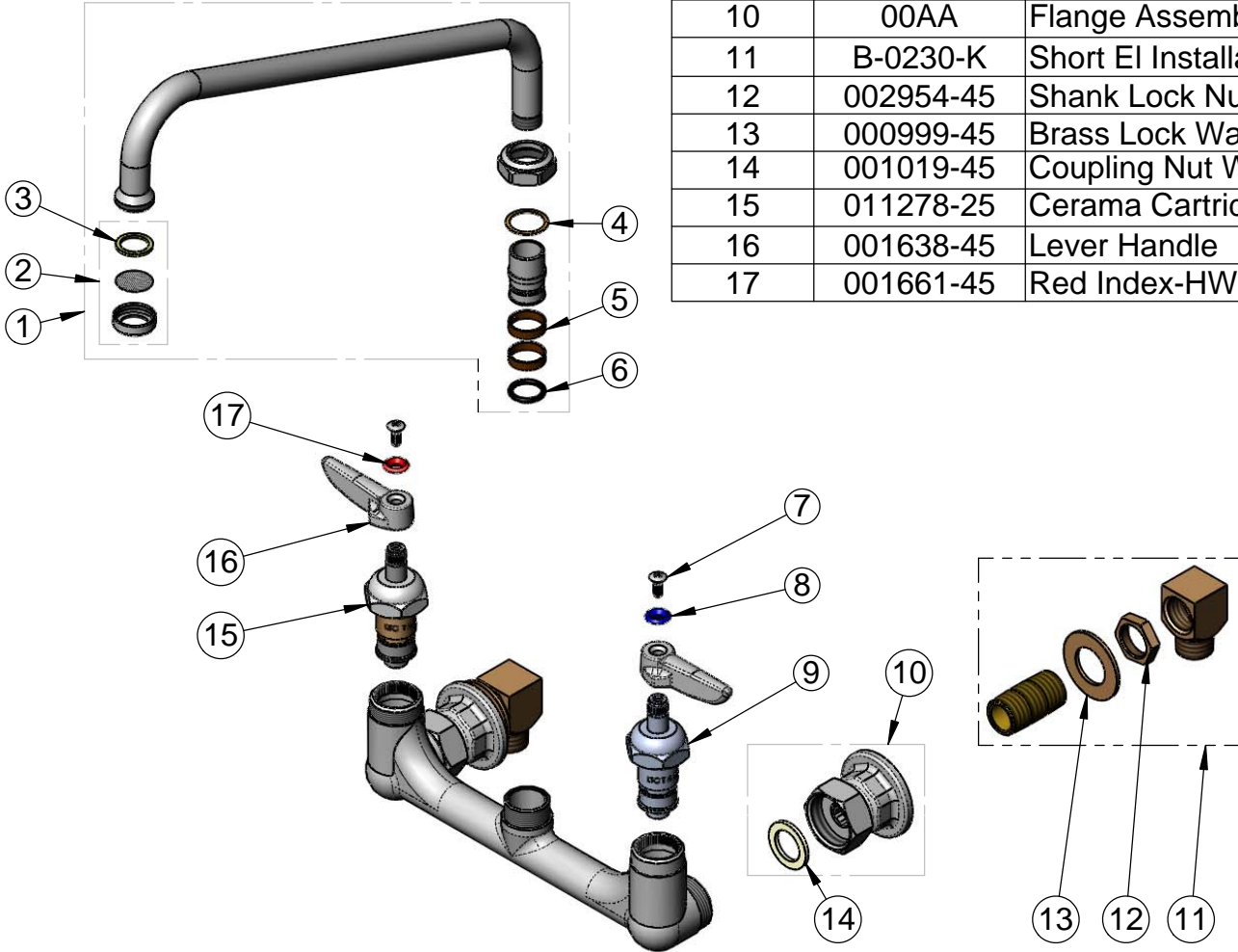
Model No.

B-0231-CR-EK

Item No.

Travelers Rest, SC: 800-476-4103 • Simi Valley, CA: 800-423-0150 • Fax: 864-834-3518 • www.tsbrass.com

ITEM NO.	SALES NO.	DESCRIPTION
1	062X	12" Swing Nozzle Assembly
2	B-PT	Stream Regulator Assembly
3	001048-45	Nozzle Tip Washer
4	009538-45	Swivel Washer
5	011429-45	Swivel Sleeves (2)
6	001074-45	O-Ring
7	000922-45	Lever Handle Screw
8	001660-45	Blue Index-CW
9	011279-25	Cerama Cartridge LTC
10	00AA	Flange Assembly
11	B-0230-K	Short EI Installation Kit
12	002954-45	Shank Lock Nut
13	000999-45	Brass Lock Washer
14	001019-45	Coupling Nut Washer
15	011278-25	Cerama Cartridge RTC
16	001638-45	Lever Handle
17	001661-45	Red Index-HW



Product Specifications:
8" Wall Mount Base Faucet, Cerama Cartridges, 062X Swing Nozzle, Lever Handles & 00AA Wall Flanges & (2) Short Elbow Installation Kit w/ 1/2" NPT Male Inlets

Drawn KJG	Checked GEF	Approved JHB
Scale: NTS		Date: 11/28/11



T&S BRASS AND BRONZE WORKS, INC.

2 Saddleback Cove / P.O. Box 1088
Travelers Rest, SC 29690



REG. #A2601
ISO #9001

Model No.

B-0231-CR-KIT

Item No.

Travelers Rest, SC: 800-476-4103 • Simi Valley, CA: 800-423-0150 • Fax: 864-834-3518 • www.tsbrass.com

This Space for Architect/Engineer Approval

Job Name _____ Date _____

Model Specified _____ Quantity _____

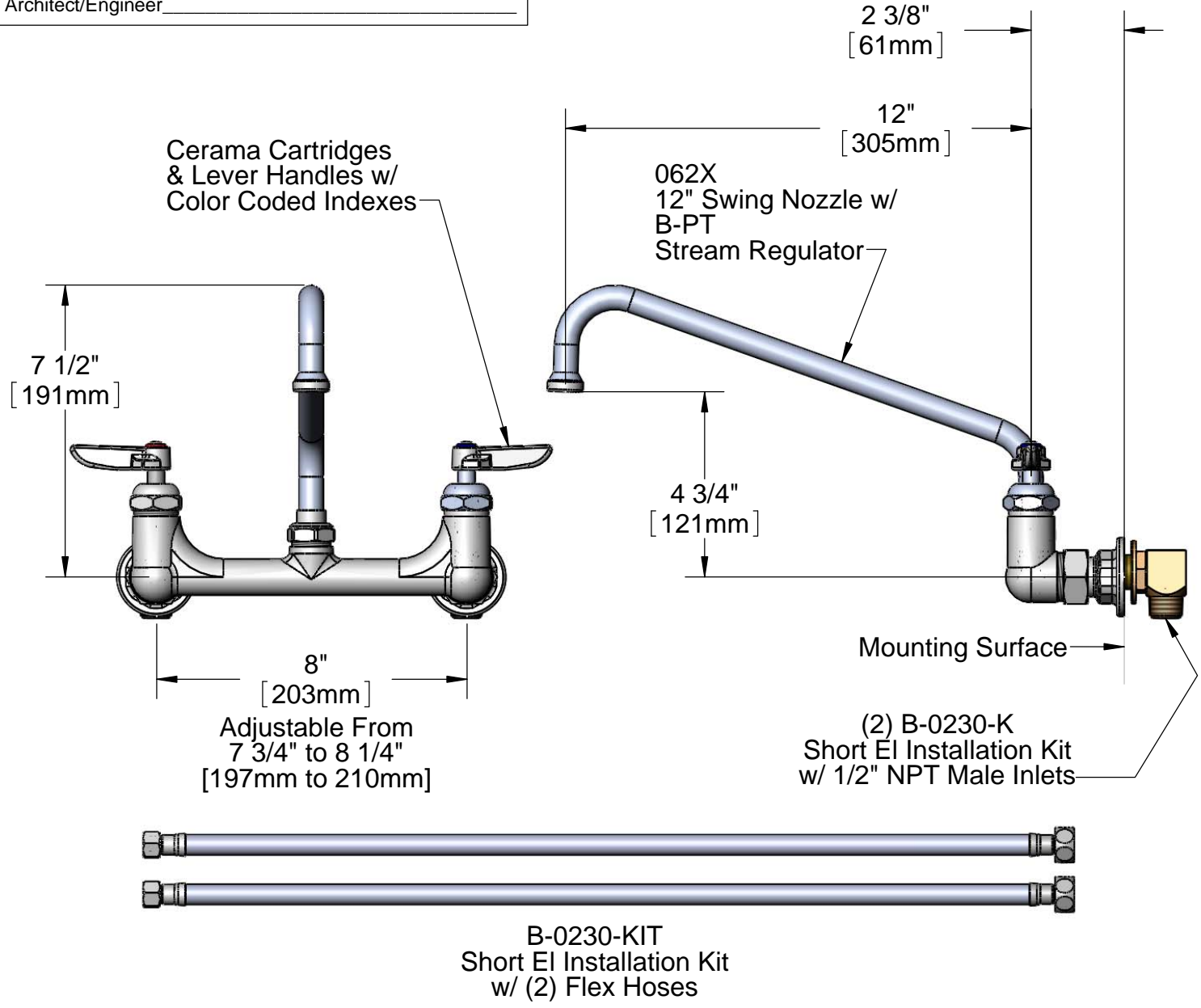
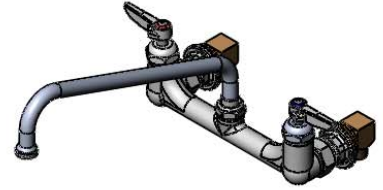
Customer/Wholesaler _____

Contractor _____

Architect/Engineer _____



ADA Compliant



Product Specifications:

8" Wall Mount Base Faucet, Cerama Cartridges, 062X Swing Nozzle, Lever Handles & 00AA Wall Flanges, Installation kits & (2) 24" Flex Supply Hoses

Drawn

DHL

Checked

JRM

Approved

JHB

Scale:

1:4

Date:

05/31/11



T&S BRASS AND BRONZE WORKS, INC.

2 Saddleback Cove / P.O. Box 1088
Travelers Rest, SC 29690



REG. #A2601
ISO #9001

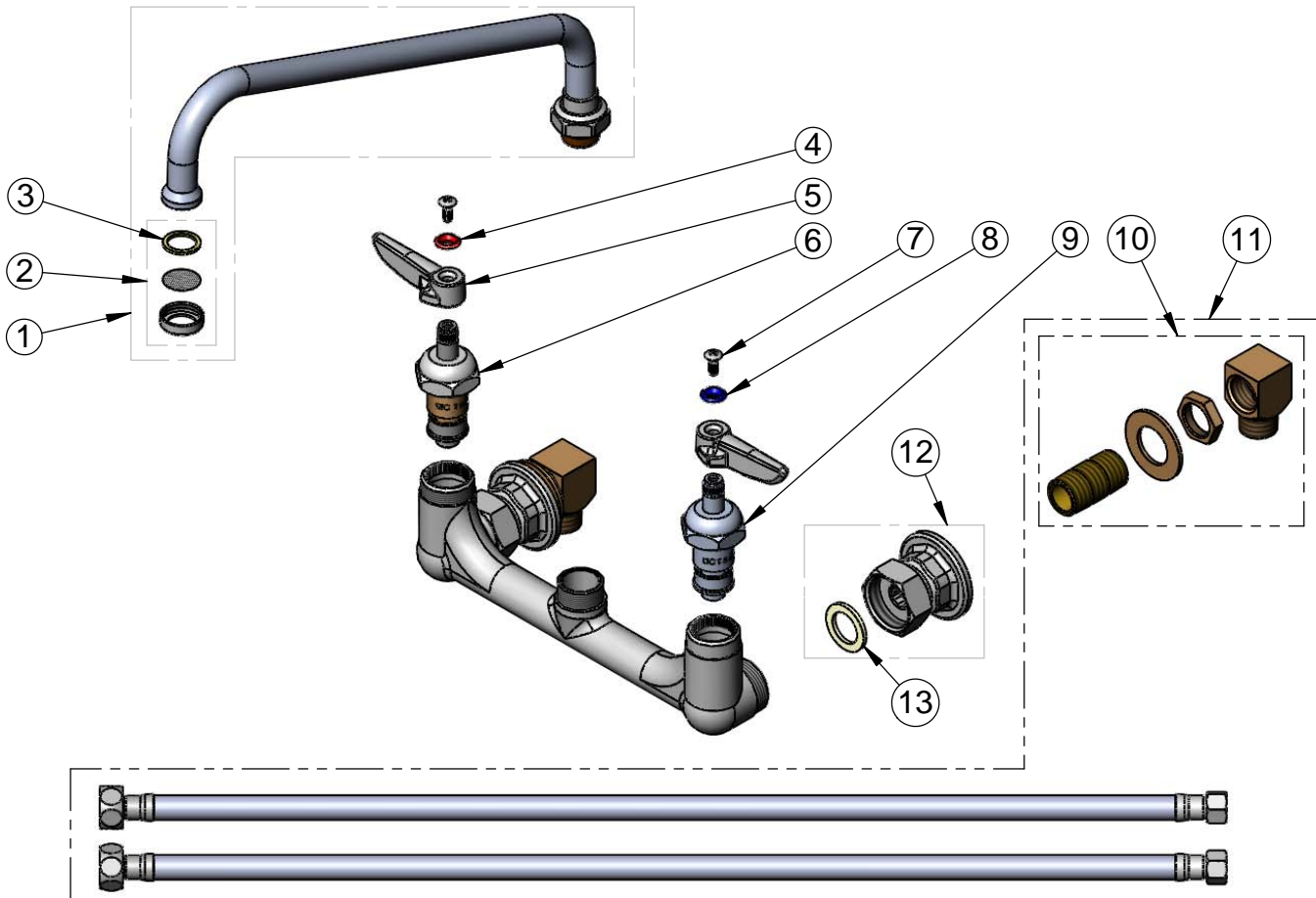
Model No.

B-0231-CR-KIT

Item No.

Travelers Rest, SC: 800-476-4103 • Simi Valley, CA: 800-423-0150 • Fax: 864-834-3518 • www.tsbrass.com

ITEM NO.	SALES NO.	DESCRIPTION
1	062X	12" Swing Nozzle Assembly
2	B-PT	Stream Regulator Assembly
3	001048-45	Nozzle Tip Washer
4	001661-45	Red Index-HW
5	001638-45	Lever Handle
6	011278-25	Cerama Cartridge RTC
7	000922-45	Lever Handle Screw
8	001660-45	Blue Index-CW
9	011279-25	Cerama Cartridge LTC
10	B-0230-K	Short EI Installation Kit
11	B-0230-KIT	Short EI Installation Kit w/ (2) Hoses
12	00AA	Flange Assembly
13	001019-45	Coupling Nut Washer



Product Specifications:

8" Wall Mount Base Faucet, Cerama Cartridges, 062X Swing Nozzle, Lever Handles & 00AA Wall Flanges, Installation kits & (2) 24" Flex Supply Hoses

Drawn

DHL

Checked

JRM

Approved

JHB

Scale:

NTS

Date:

05/31/11



T&S BRASS AND BRONZE WORKS, INC.

2 SADDLEBACK COVE / P.O. BOX 1088 / TRAVELERS REST, SC 29690

PHONE 800-476-4103

FAX 864-834-3518



REG.#A2601
ISO #9002

Model No.

B-0231-VF22-EL

Item No.:

Job Name:

Architect/Engineer Approval:

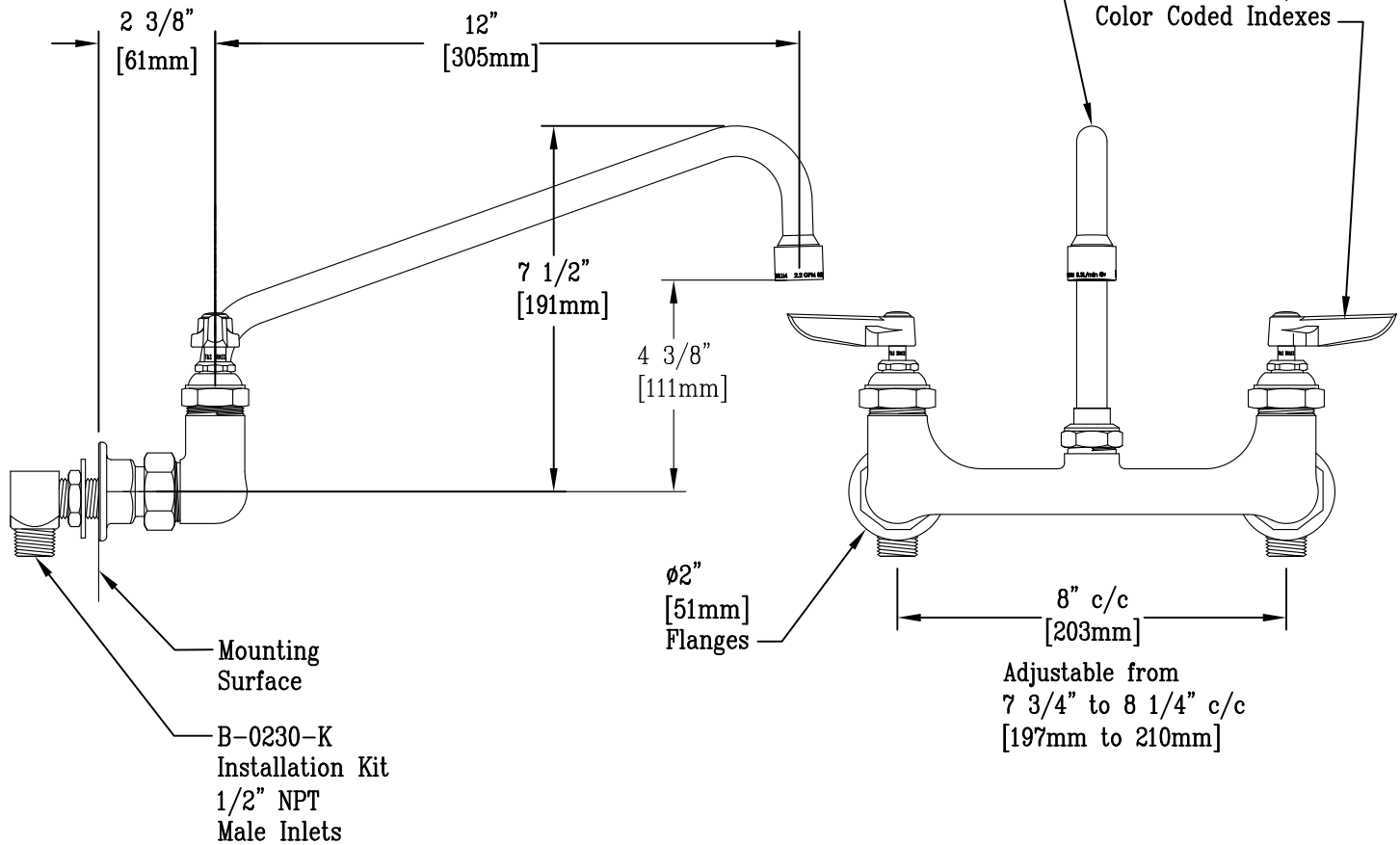
Notes:



ADA COMPLIANT

062X
12" Swing Nozzle w/
B-0199-06 Vandal
Resistant Aerator
2.2 GPM

Eterna Cartridges &
Lever Handles w/
Color Coded Indexes



Product Description:
8" c/c Wall Mount Faucet, 1/2" NPT Male Inlets,
Lever Handles, 12" Swing Nozzle, Vandal Resistant
Aerator & B-0230-K Installation Kit

Drawn: KJG	Checked DMH	Scale: 1 : 4
Approved JHB	Date: 03/04/11	



T&S BRASS AND BRONZE WORKS, INC.
 2 Saddleback Cove / P.O. Box 1088
 Travelers Rest, SC 29690

Model No.
B-0231-CC

Item No.

Travelers Rest, SC: 800-476-4103 • Simi Valley, CA: 800-423-0150 • Fax: 864-834-3518 • www.tsbrass.com



ADA Compliant

This Space for Architect/Engineer Approval

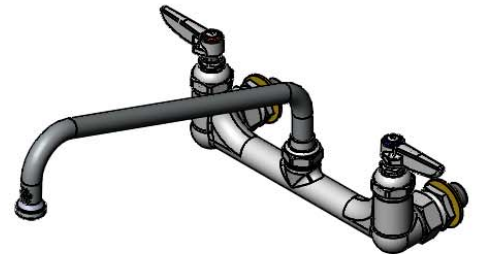
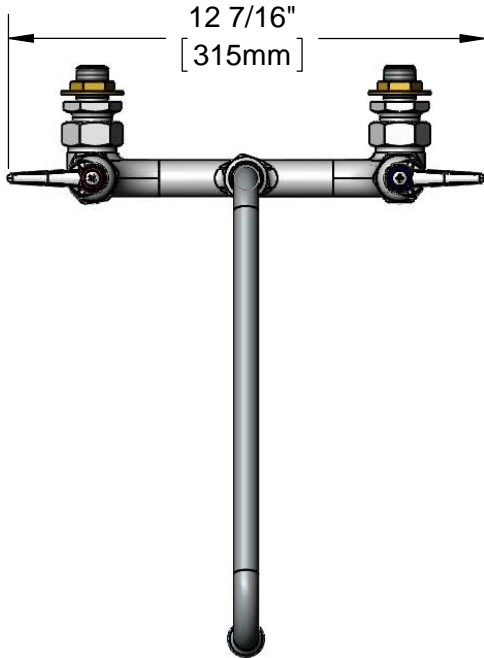
Job Name _____ Date _____

Model Specified _____ Quantity _____

Customer/Wholesaler _____

Contractor _____

Architect/Engineer _____



Eterna Cartridges & Lever Handles w/ Color Coded Indexes

062X
 12" Swing Nozzle
 w/ Stream Regulator
 Outlet

Swivel Joint

Mounting Surface

3 5/8"
 [93mm]

7 1/2"
 [191mm]

4 3/4"
 [121mm]

2"
 [51mm]

12"
 [305mm]

8"
 [203mm]

3/16"
 [5mm]
 Maximum
 Thickness

1/2" NPT Male Inlets

Rough-In Requirement:
 (2) ϕ 1" [25mm] Mounting Holes

Product Specifications:

8" Wall Mount Mixing Faucet, Eterna Cartridges, Lever Handles,
 12" Swing Nozzle & 1/2" NPT Male Inlets

Product Compliance:

ASME A112.18.1 / CSA B125.1
 NSF 61 - Section 9
 NSF 372 (Low Lead Content)
 ANSI A117.1 (ADA)



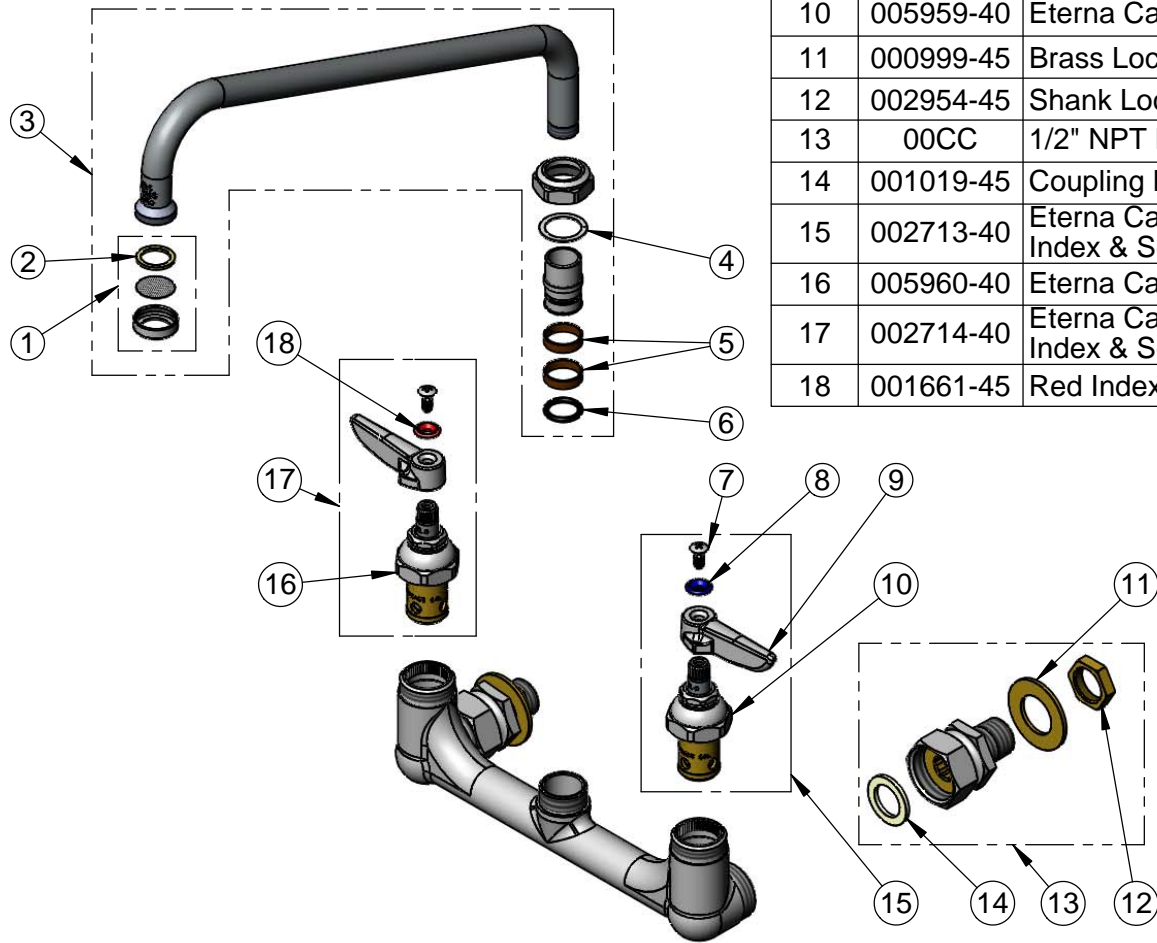
T&S BRASS AND BRONZE WORKS, INC.
 2 Saddleback Cove / P.O. Box 1088
 Travelers Rest, SC 29690

Model No.
B-0231-CC

Item No.

Travelers Rest, SC: 800-476-4103 • Simi Valley, CA: 800-423-0150 • Fax: 864-834-3518 • www.tsbrass.com

ITEM NO.	SALES NO.	DESCRIPTION
1	B-PT	Stream Regulator Outlet
2	001048-45	Nozzle Tip Washer
3	062X	12" Swing Nozzle
4	009538-45	Swivel Washer
5	011429-45	Swivel Sleeves (2)
6	001074-45	O-Ring
7	000922-45	Lever Handle Screw
8	001660-45	Blue Index-CW
9	001638-45	Lever Handle
10	005959-40	Eterna Cartridge, LTC
11	000999-45	Brass Lock Washer
12	002954-45	Shank Lock Nut
13	00CC	1/2" NPT Male Inlet Flange
14	001019-45	Coupling Nut Washer
15	002713-40	Eterna Cartridge, LTC w/ Handle, Index & Screw
16	005960-40	Eterna Cartridge, RTC
17	002714-40	Eterna Cartridge, RTC w/ Handle, Index & Screw
18	001661-45	Red Index-HW



Product Specifications:

8" Wall Mount Mixing Faucet, Eterna Cartridges, Lever Handles, 12" Swing Nozzle & 1/2" NPT Male Inlets

Product Compliance:

ASME A112.18.1 / CSA B125.1
 NSF 61 - Section 9
 NSF 372 (Low Lead Content)
 ANSI A117.1 (ADA)



T&S BRASS AND BRONZE WORKS, INC.

2 Saddleback Cove / P.O. Box 1088
Travelers Rest, SC 29690

Model No.

B-0231-CC-CR

Item No.

Travelers Rest, SC: 800-476-4103 • Simi Valley, CA: 800-423-0150 • Fax: 864-834-3518 • www.tsbrass.com



ADA Compliant

This Space for Architect/Engineer Approval

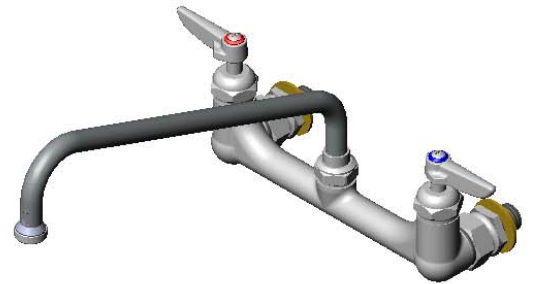
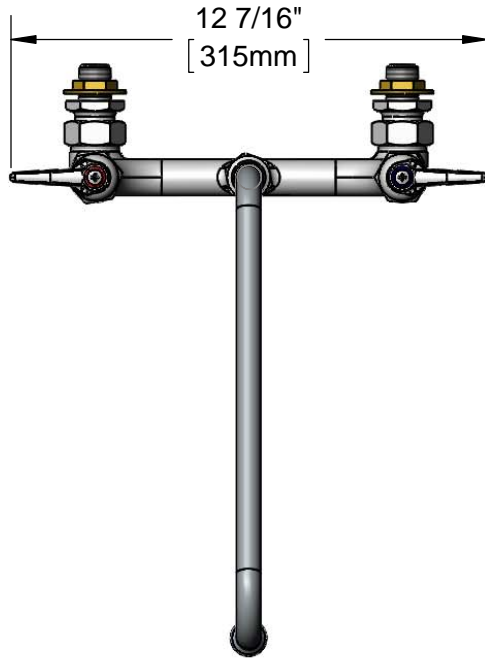
Job Name _____ Date _____

Model Specified _____ Quantity _____

Customer/Wholesaler _____

Contractor _____

Architect/Engineer _____



Cerama Cartridges
& Lever Handles w/
Color Coded Indexes

Swivel Joint

3 5/8"
[92mm]

8"
[203mm]

7 1/2"
[191mm]

4 3/4"
[121mm]

2"
[51mm]

12"
[305mm]

062X
12" Swing Nozzle
w/ Stream Regulator
Outlet

Mounting
Surface

3/16"
[5mm]
Maximum
Thickness

1/2" NPT
Male Inlets

Rough-In Requirement:
(2) ϕ 1" [25mm] Mounting Holes

Product Specifications:

8" Wall Mount Mixing Faucet, Cerama Cartridges, Lever Handles,
12" Swing Nozzle & 1/2" NPT Male Inlets

Product Compliance:

ASME A112.18.1 / CSA B125.1
NSF 61 - Section 9
NSF 372 (Low Lead Content)
ANSI A117.1 (ADA)



T&S BRASS AND BRONZE WORKS, INC.

2 Saddleback Cove / P.O. Box 1088
Travelers Rest, SC 29690

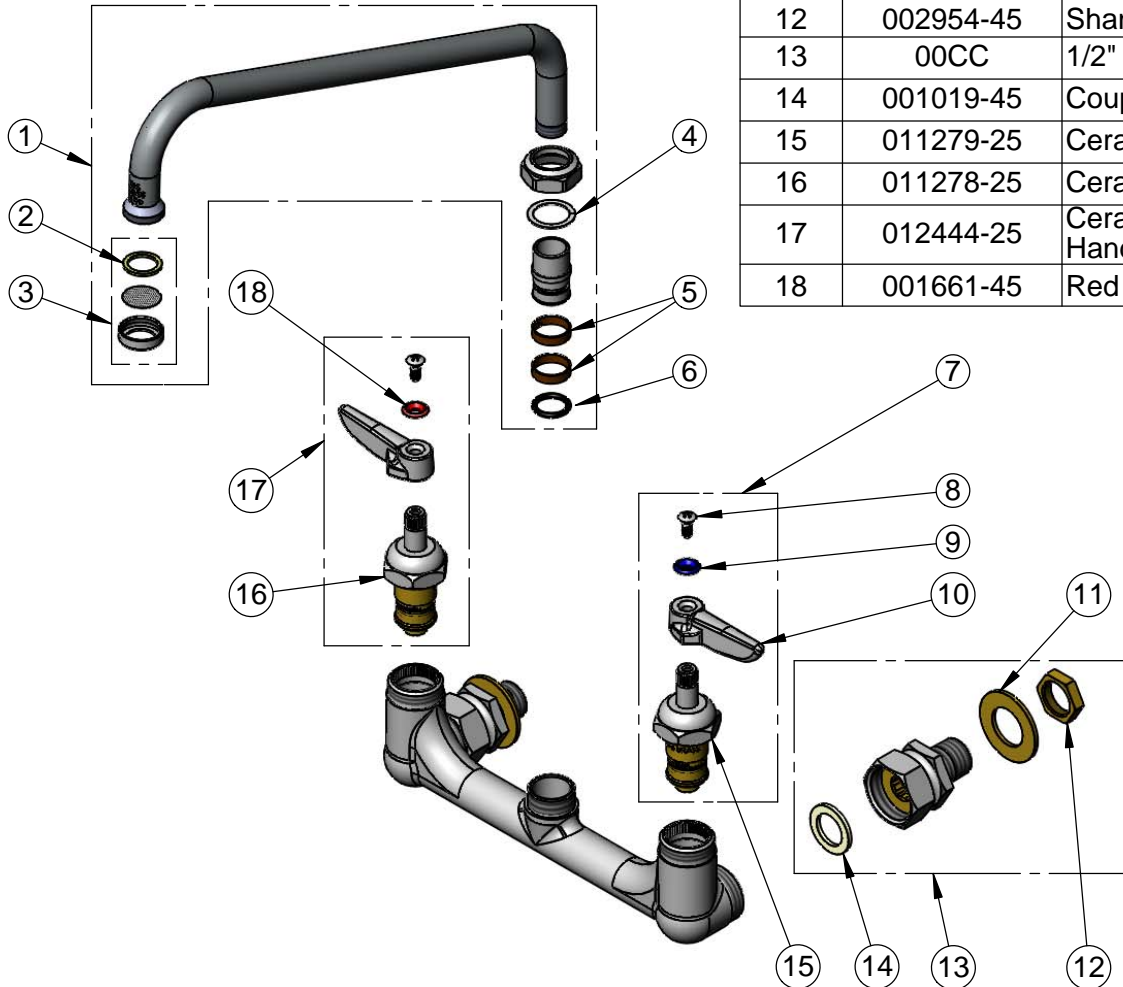
Model No.

B-0231-CC-CR

Item No.

Travelers Rest, SC: 800-476-4103 • Simi Valley, CA: 800-423-0150 • Fax: 864-834-3518 • www.tsbrass.com

ITEM NO.	SALES NO.	DESCRIPTION
1	062X	12" Swing Nozzle
2	001048-45	Nozzle Tip Washer
3	B-PT	Stream Regulator Outlet
4	009538-45	Swivel Washer
5	011429-45	Swivel Sleeves (2)
6	001074-45	O-Ring
7	012445-25	Cerama Cartridge, LTC w/ Handle, Index & Screw
8	000922-45	Lever Handle Screw
9	001660-45	Blue Index-CW
10	001638-45	Lever Handle
11	000999-45	Brass Lock Washer
12	002954-45	Shank Lock Nut
13	00CC	1/2" NPT Male Inlet Flange
14	001019-45	Coupling Nut Washer
15	011279-25	Cerama Cartridge, LTC
16	011278-25	Cerama Cartridge, RTC
17	012444-25	Cerama Cartridge, RTC w/ Handle, Index & Screw
18	001661-45	Red Index-HW



Product Specifications:

8" Wall Mount Mixing Faucet, Cerama Cartridges, Lever Handles, 12" Swing Nozzle & 1/2" NPT Male Inlets

Product Compliance:

ASME A112.18.1 / CSA B125.1
NSF 61 - Section 9
NSF 372 (Low Lead Content)
ANSI A117.1 (ADA)



T&S BRASS AND BRONZE WORKS, INC.
 2 Saddleback Cove / P.O. Box 1088
 Travelers Rest, SC 29690

Model No.
B-0231-EE

Item No.

Travelers Rest, SC: 800-476-4103 • Simi Valley, CA: 800-423-0150 • Fax: 864-834-3518 • www.tsbrass.com



ADA Compliant

This Space for Architect/Engineer Approval

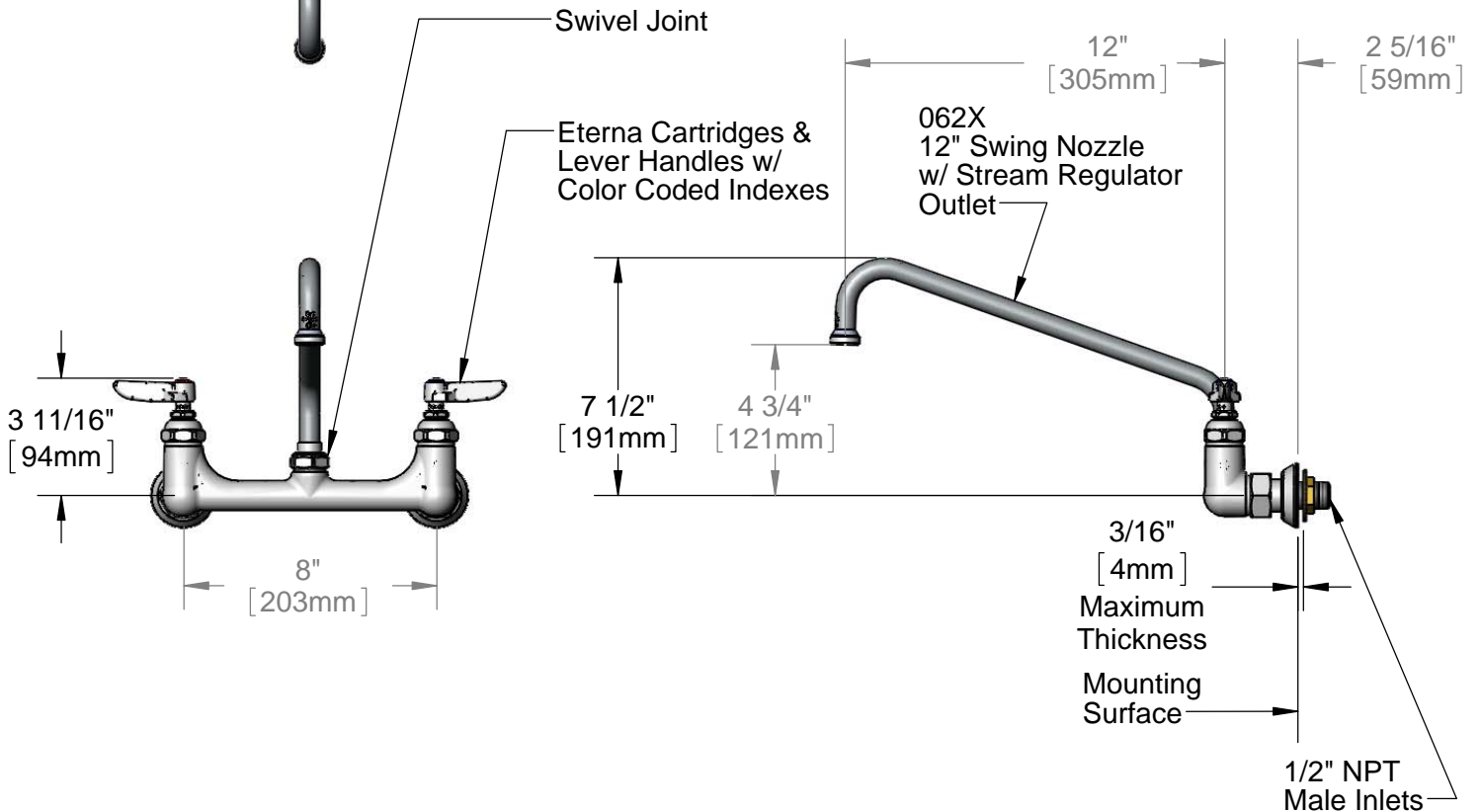
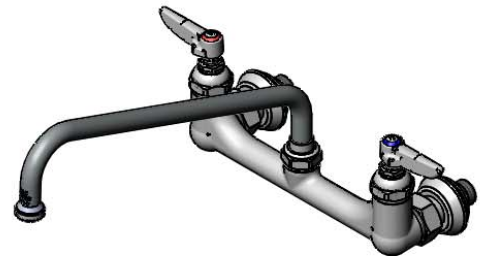
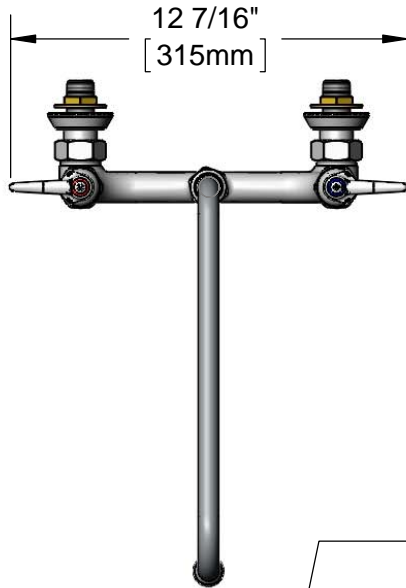
Job Name _____ Date _____

Model Specified _____ Quantity _____

Customer/Wholesaler _____

Contractor _____

Architect/Engineer _____



Rough-In Requirement:
 (2) ϕ 1" [25mm] Mounting Holes

Product Specifications:
 8" Wall Mount Mixing Faucet, Eterna Cartridges, Lever Handles,
 12" Swing Nozzle & 1/2" NPT Male Inlets

Product Compliance:
 ASME A112.18.1 / CSA B125.1
 NSF 61 - Section 9
 NSF 372 (Low Lead Content)
 ANSI A117.1 (ADA)



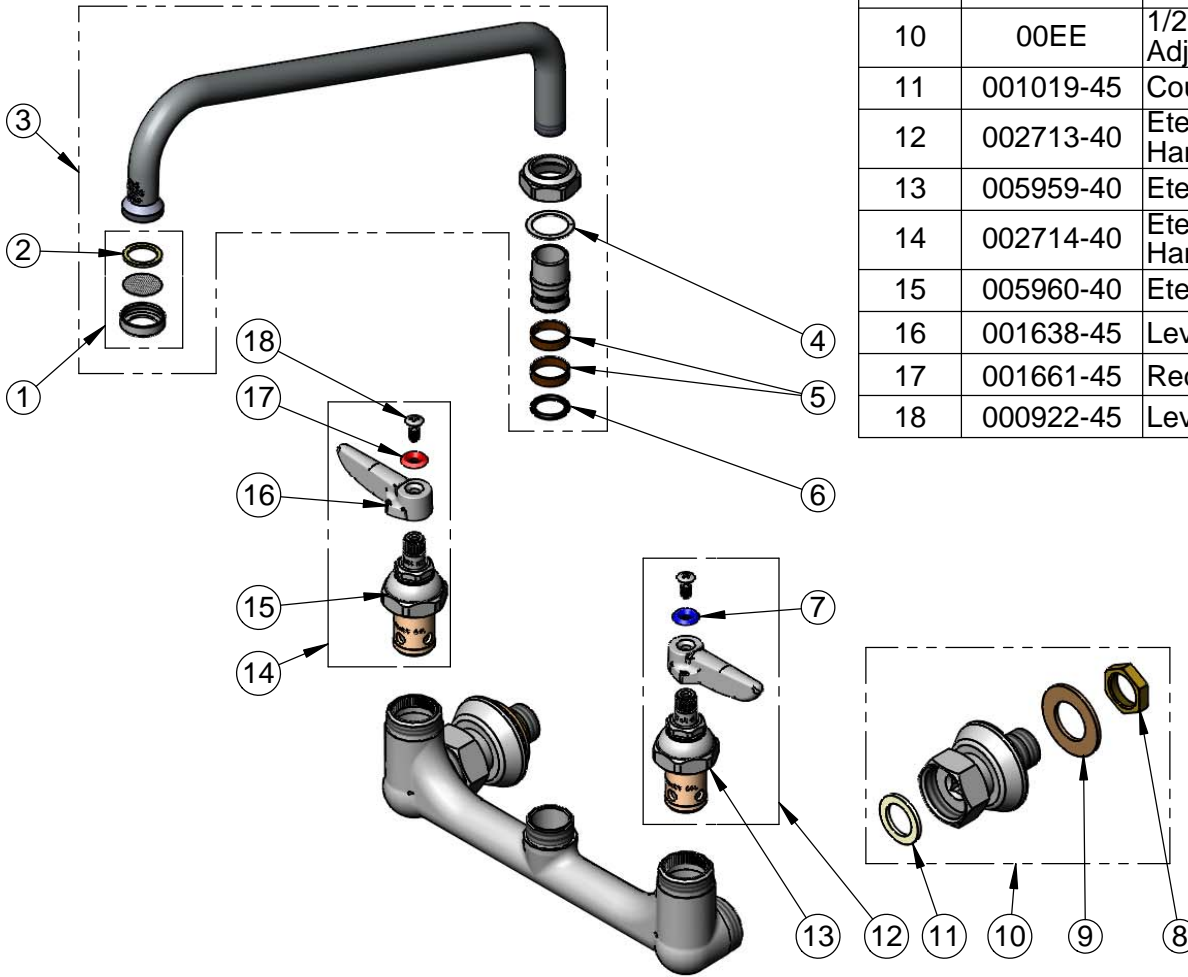
T&S BRASS AND BRONZE WORKS, INC.
 2 Saddleback Cove / P.O. Box 1088
 Travelers Rest, SC 29690

Model No.
B-0231-EE

Item No.

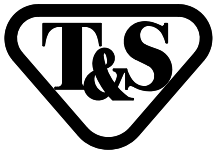
Travelers Rest, SC: 800-476-4103 • Simi Valley, CA: 800-423-0150 • Fax: 864-834-3518 • www.tsbrass.com

ITEM NO.	SALES NO.	DESCRIPTION
1	B-PT	Stream Regulator Outlet
2	001048-45	Nozzle Tip Washer
3	062X	12" Swing Nozzle
4	009538-45	Swivel Washer
5	011429-45	Swivel Sleeves (2)
6	001074-45	O-Ring
7	001660-45	Blue Index-CW
8	002954-45	Shank Lock Nut
9	000999-45	Brass Lock Washer
10	00EE	1/2" NPT Male Inlet w/ Adjustable Flange
11	001019-45	Coupling Nut Washer
12	002713-40	Eterna Cartridge, LTC w/ Handle, Index & Screw
13	005959-40	Eterna Cartridge, LTC
14	002714-40	Eterna Cartridge, RTC w/ Handle, Index & Screw
15	005960-40	Eterna Cartridge, RTC
16	001638-45	Lever Handle
17	001661-45	Red Index-HW
18	000922-45	Lever Handle Screw



Product Specifications:
 8" Wall Mount Mixing Faucet, Eterna Cartridges, Lever Handles,
 12" Swing Nozzle & 1/2" NPT Male Inlets

Product Compliance:
 ASME A112.18.1 / CSA B125.1
 NSF 61 - Section 9
 NSF 372 (Low Lead Content)
 ANSI A117.1 (ADA)



T&S BRASS AND BRONZE WORKS, INC.

2 Saddleback Cove / P.O. Box 1088
Travelers Rest, SC 29690

Model No.

B-0231-EE-CR

Item No.

Travelers Rest, SC: 800-476-4103 • Simi Valley, CA: 800-423-0150 • Fax: 864-834-3518 • www.tsbrass.com



ADA Compliant

This Space for Architect/Engineer Approval

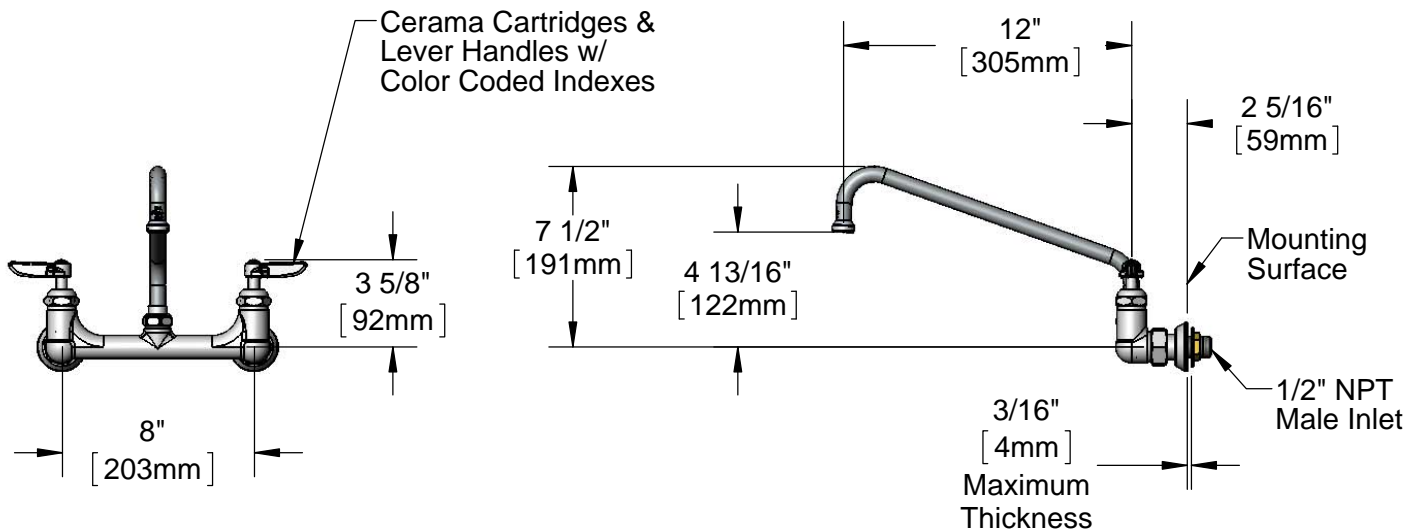
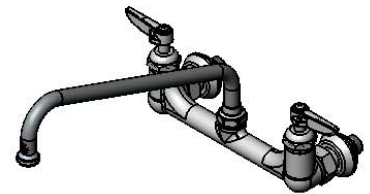
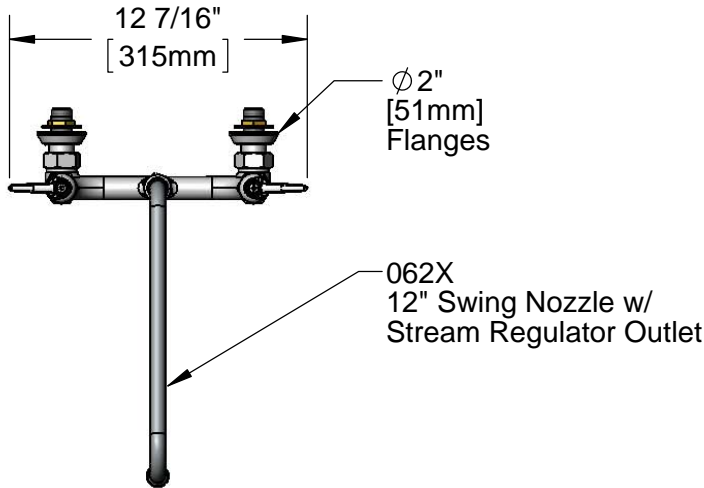
Job Name _____ Date _____

Model Specified _____ Quantity _____

Customer/Wholesaler _____

Contractor _____

Architect/Engineer _____



Rough-In Requirement:
(2) Ø 1" [25mm] Mounting Holes

Product Specifications:
8" Wall Mount Mixing Faucet, Cerama Cartridges, Lever Handles,
12" Swing Nozzle w/ B-PT Stream Regulator Outlet & 1/2" Male Inlets

Product Compliance:
ASME A112.18.1 / CSA B125.1
NSF 61 - Section 9
NSF 372 (Low Lead Content)
ANSI A117.1 (ADA)

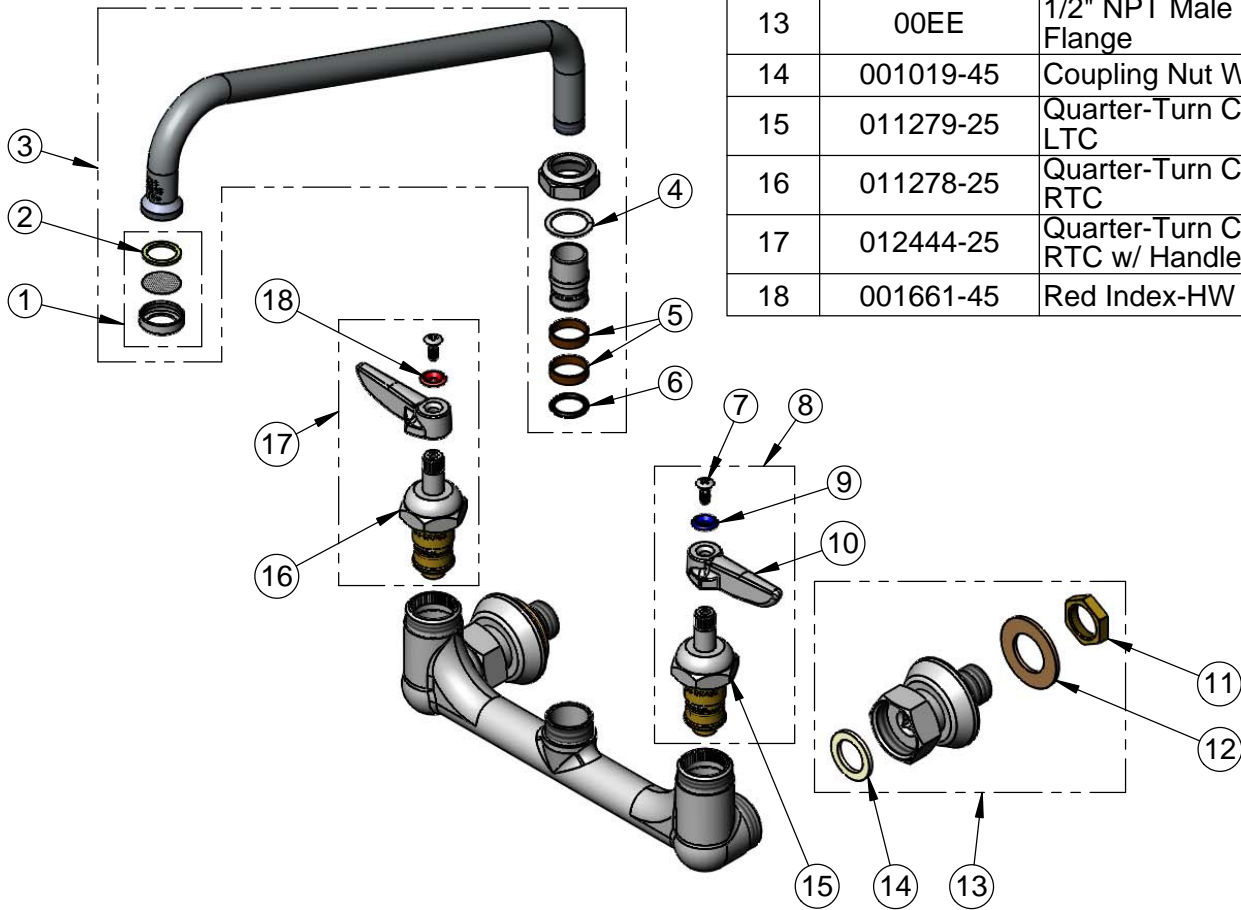


T&S BRASS AND BRONZE WORKS, INC.
 2 Saddleback Cove / P.O. Box 1088
 Travelers Rest, SC 29690

Model No.
B-0231-EE-CR
 Item No.

Travelers Rest, SC: 800-476-4103 • Simi Valley, CA: 800-423-0150 • Fax: 864-834-3518 • www.tsbrass.com

ITEM NO.	SALES NO.	DESCRIPTION
1	B-PT	Stream Regulator
2	001048-45	Nozzle Tip Washer
3	062X	12" Swing Nozzle
4	009538-45	Swivel Washer
5	011429-45	Swivel Sleeves (2)
6	001074-45	O-Ring
7	000922-45	Lever Handle Screw
8	012445-25	Quarter-Turn Cerama Cartridge, LTC w/ Handle, Index & Screw
9	001660-45	Blue Index-CW
10	001638-45	Lever Handle
11	002954-45	Shank Lock Nut
12	000999-45	Brass Lock Washer
13	00EE	1/2" NPT Male Inlet w/ Adjustable Flange
14	001019-45	Coupling Nut Washer
15	011279-25	Quarter-Turn Cerama Cartridge, LTC
16	011278-25	Quarter-Turn Cerama Cartridge, RTC
17	012444-25	Quarter-Turn Cerama Cartridge, RTC w/ Handle, Index & Screw
18	001661-45	Red Index-HW



Product Specifications:
 8" Wall Mount Mixing Faucet, Cerama Cartridges, Lever Handles,
 12" Swing Nozzle w/ B-PT Stream Regulator Outlet & 1/2" Male Inlets

Product Compliance:
 ASME A112.18.1 / CSA B125.1
 NSF 61 - Section 9
 NSF 372 (Low Lead Content)
 ANSI A117.1 (ADA)



T&S BRASS AND BRONZE WORKS, INC.

2 Saddleback Cove / P.O. Box 1088
Travelers Rest, SC 29690



REG. #A2601
ISO #9001

Model No.

B-0231-BB-CR

Item No.

Travelers Rest, SC: 800-476-4103 Simi Valley, CA: 800-423-0150 Fax: 864-834-3518 www.tsbrass.com

This Space for Architect/Engineer Approval

Job Name _____ Date _____

Model Specified _____ Quantity _____

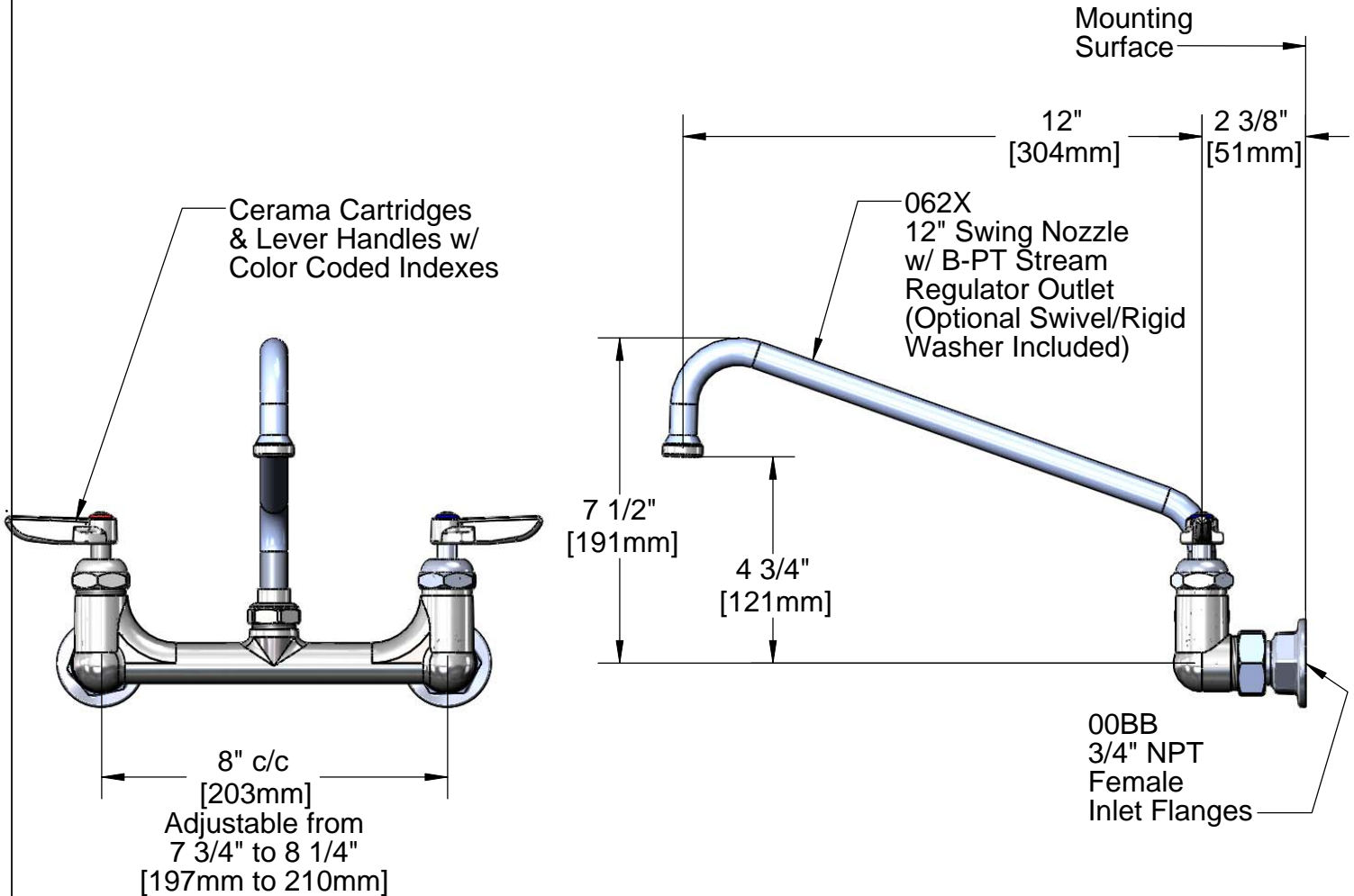
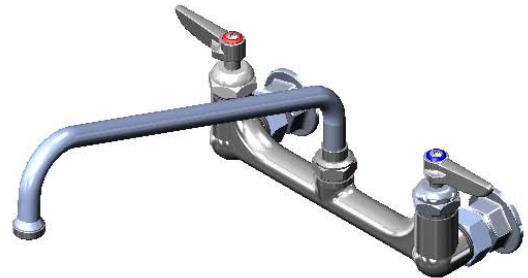
Customer/Wholesaler _____

Contractor _____

Architect/Engineer _____



ADA Compliant



Rough-In Requirements:
(2) ϕ 1 3/8" [35mm] Mounting Holes

Product Specifications:

8" c/c Double Pantry Faucet w/ Cerama Cartridges, Lever Handles, 12" Swing Nozzle w/ B-PT Stream Regulator Outlet & 3/4" NPT "BB" Female Inlets

Drawn DHL	Checked	Approved JHB
Scale: 1:4	Date: 01/17/11	



T&S BRASS AND BRONZE WORKS, INC.

2 Saddleback Cove / P.O. Box 1088
Travelers Rest, SC 29690



REG. #A2601
ISO #9001

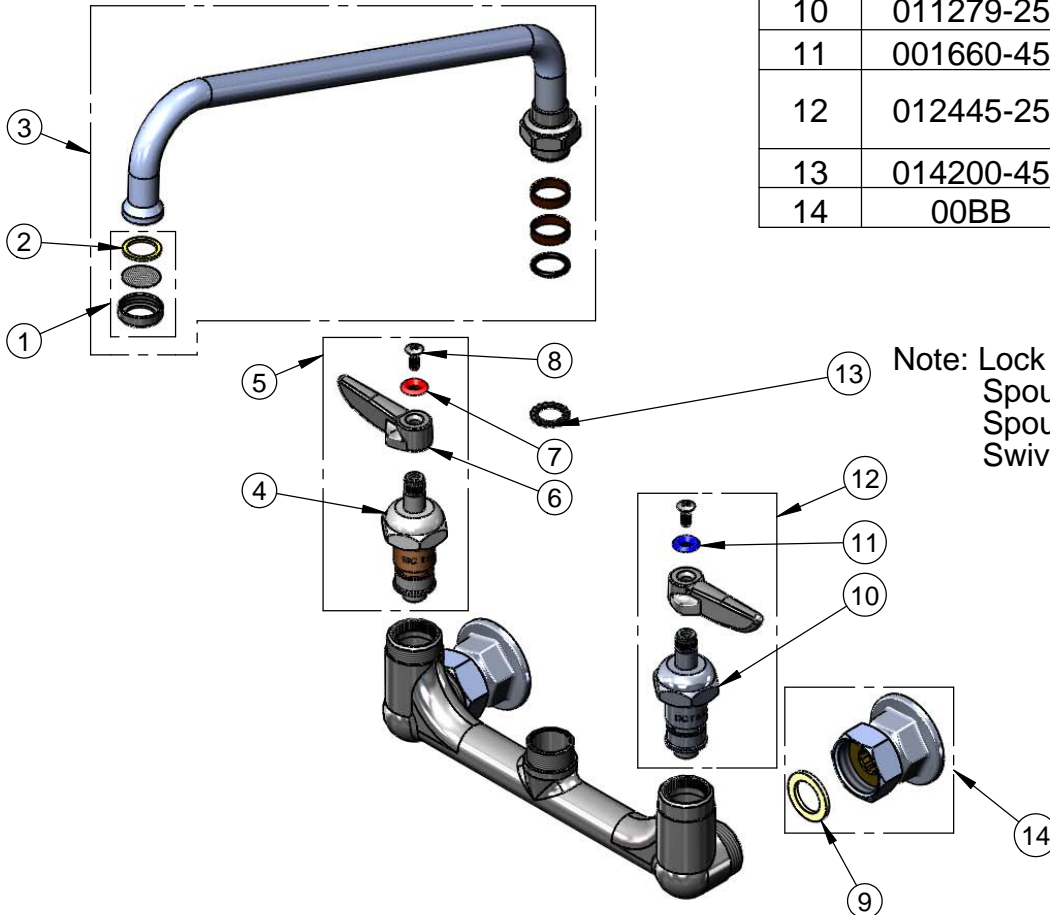
Model No.

B-0231-BB-CR

Item No.

Travelers Rest, SC: 800-476-4103 Simi Valley, CA: 800-423-0150 Fax: 864-834-3518 www.tsbrass.com

ITEM NO.	SALES NO.	DESCRIPTION
1	B-PT	Stream Regulator Outlet
2	001048-45	Nozzle Tip Washer
3	062X	12" Swing Nozzle
4	011278-25	Cerama Cartridge RTC
5	012444-25	Hot Cerama Cartridge w/ Handle, Index & Screw
6	001638-45	Lever Handle
7	001661-45	Red Index-HW
8	000922-45	Lever Handle Screw
9	001019-45	Coupling Nut Washer
10	011279-25	Cerama Cartridge LTC
11	001660-45	Blue Index-CW
12	012445-25	Cold Cerama Cartridge w/ Handle, Index & Screw
13	014200-45	Star Washer, Anti-Rotation
14	00BB	Female Inlet, 3/4" NPT



Note: Lock Washer Converts Swivel Spout to Rigid. To install, Uninstall Spout, Lift out & Place Washer into Swivel Body then Re-Install Spout

Product Specifications:

8" c/c Double Pantry Faucet w/ Cerama Cartridges, Lever Handles, 12" Swing Nozzle w/ B-PT Stream Regulator Outlet & 3/4" NPT "BB" Female Inlets

Drawn DHL	Checked JRM	Approved JHB
Scale: 1:4		Date: 01/17/11



T&S BRASS AND BRONZE WORKS, INC.
 2 Saddleback Cove / P.O. Box 1088
 Travelers Rest, SC 29690

Model No.
B-0231-WH4

Item No.

Travelers Rest, SC: 800-476-4103 • Simi Valley, CA: 800-423-0150 • Fax: 864-834-3518 • www.tsbrass.com



ADA Compliant

This Space for Architect/Engineer Approval

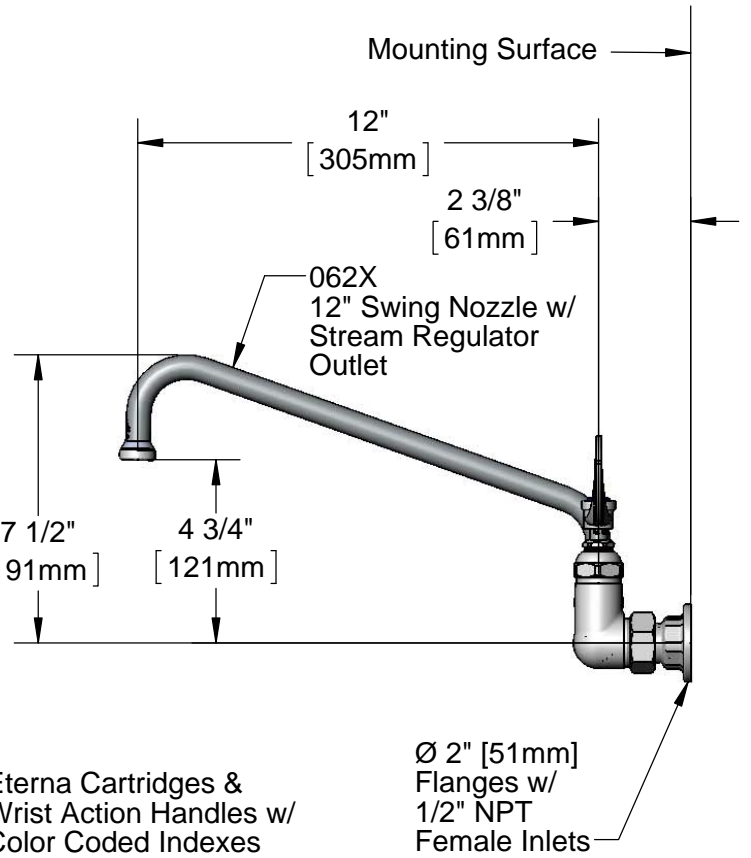
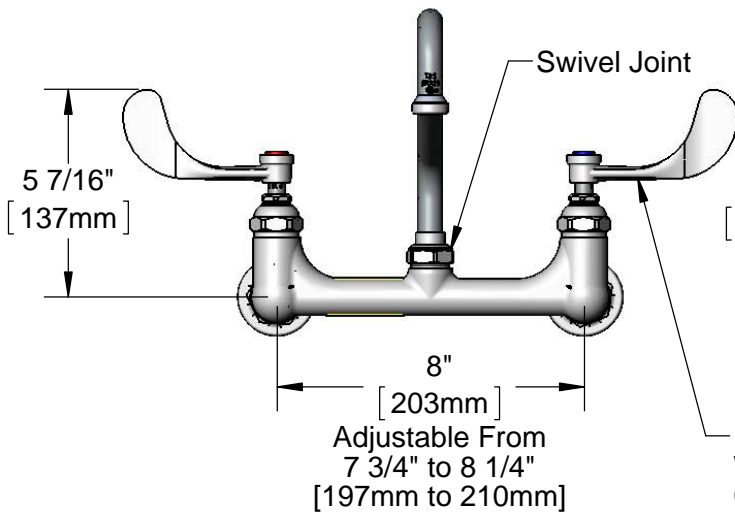
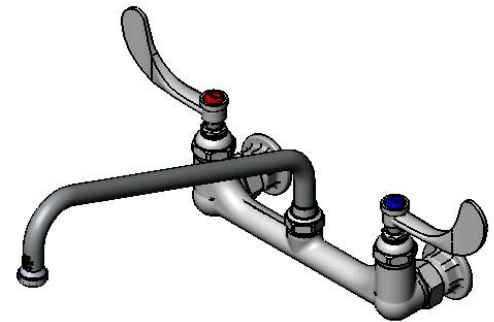
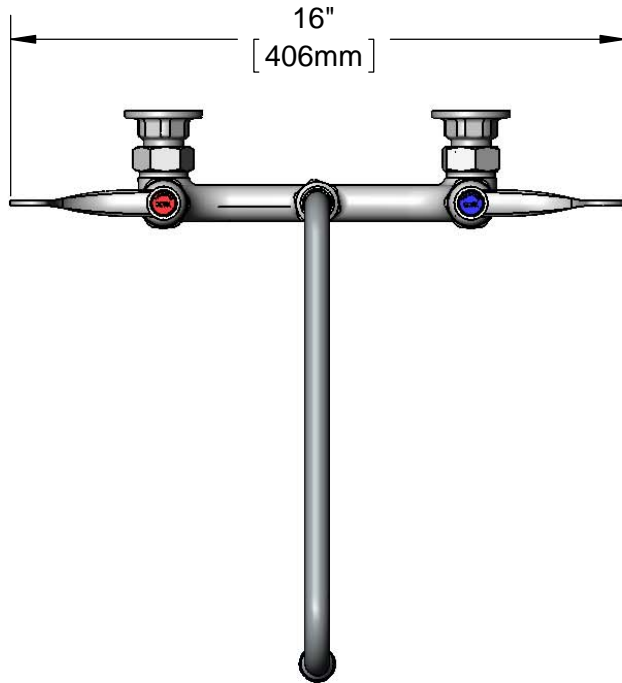
Job Name _____ Date _____

Model Specified _____ Quantity _____

Customer/Wholesaler _____

Contractor _____

Architect/Engineer _____



Product Specifications:

8" Wall Mount Mixing Faucet, Eterna Cartridges, 4" Wrist Action Handles, 12" Swing Nozzle & 1/2" NPT Female Inlets

Product Compliance:

ASME A112.18.1 / CSA B125.1
 NSF 61 - Section 9
 NSF 372 (Low Lead Content)
 ANSI A117.1 (ADA)



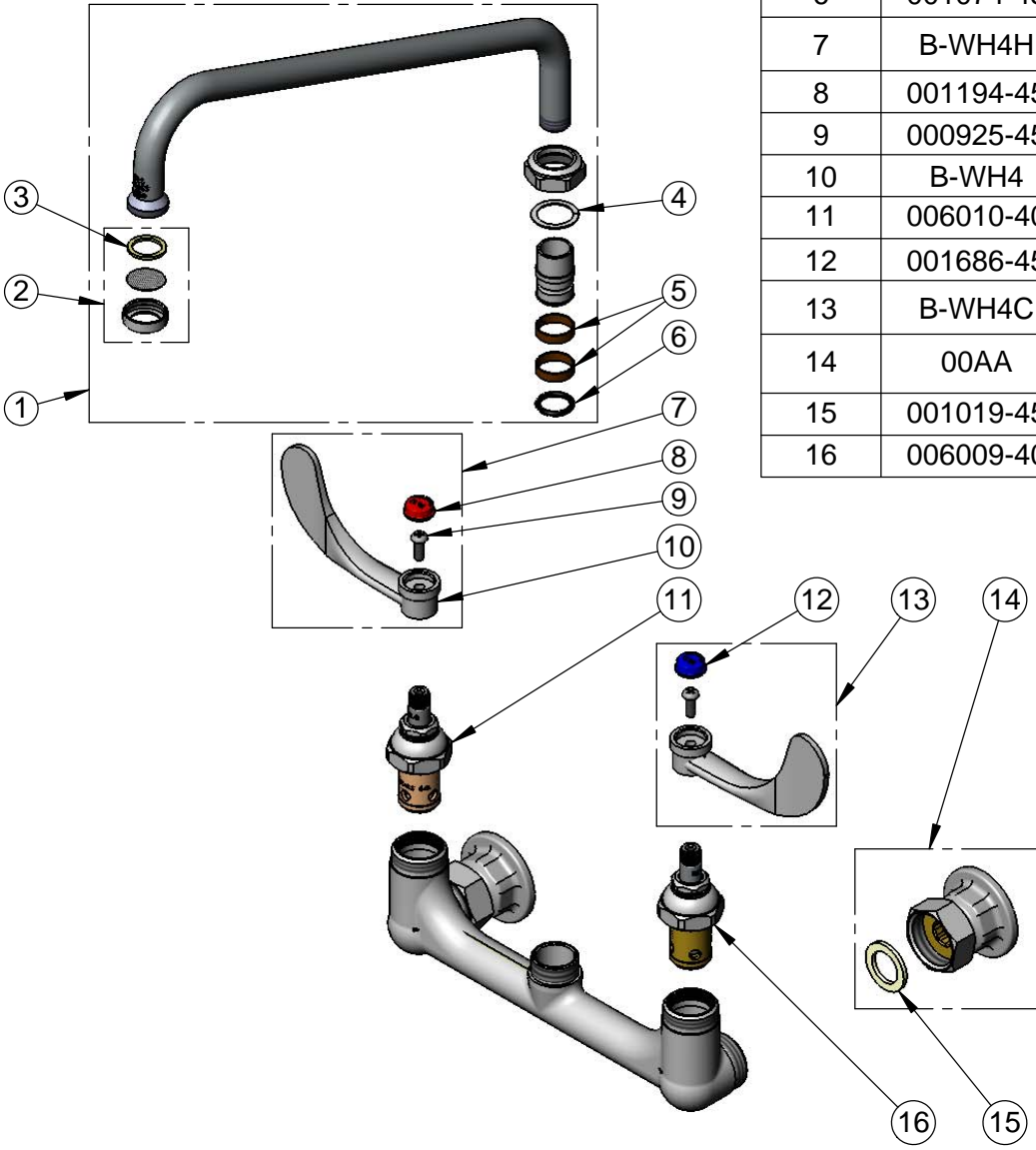
T&S BRASS AND BRONZE WORKS, INC.
 2 Saddleback Cove / P.O. Box 1088
 Travelers Rest, SC 29690

Model No.
B-0231-WH4

Item No.

Travelers Rest, SC: 800-476-4103 • Simi Valley, CA: 800-423-0150 • Fax: 864-834-3518 • www.tsbrass.com

ITEM NO.	SALES NO.	DESCRIPTION
1	062X	12" Swivel Nozzle
2	B-PT	Stream Regulator Outlet
3	001048-45	Nozzle Tip Washer
4	009538-45	Swivel Washer
5	011429-45	Swivel Sleeves (2)
6	001074-45	O-Ring
7	B-WH4H	4" Wrist Action Handle, Screw & Hot Index
8	001194-45	Red HW Index
9	000925-45	Lab Handle Screw
10	B-WH4	4" Wrist Action Handle
11	006010-40	Eterna Cartridge, RTC (Teflon)
12	001686-45	Blue CW Index
13	B-WH4C	4" Wrist Action Handle, Screw & Cold Index
14	00AA	1/2" NPT Female Eccentric Flange
15	001019-45	Coupling Nut Washer
16	006009-40	Eterna Cartridge, LTC (Teflon)



Product Specifications:
 8" Wall Mount Mixing Faucet, Eterna Cartridges, 4" Wrist Action Handles, 12" Swing Nozzle & 1/2" NPT Female Inlets

Product Compliance:
 ASME A112.18.1 / CSA B125.1
 NSF 61 - Section 9
 NSF 372 (Low Lead Content)
 ANSI A117.1 (ADA)



T&S BRASS AND BRONZE WORKS, INC.

2 Saddleback Cove / P.O. Box 1088
Travelers Rest, SC 29690

Model No.

B-2463

Item No.

Travelers Rest, SC: 800-476-4103 • Simi Valley, CA: 800-423-0150 • Fax: 864-834-3518 • www.tsbrass.com



ADA Compliant

This Space for Architect/Engineer Approval

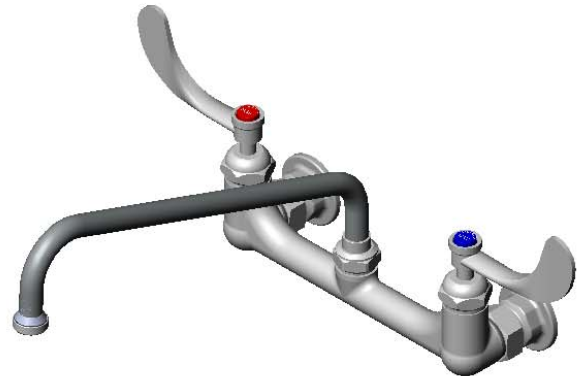
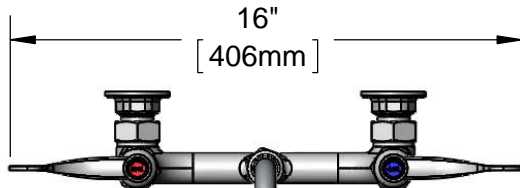
Job Name _____ Date _____

Model Specified _____ Quantity _____

Customer/Wholesaler _____

Contractor _____

Architect/Engineer _____



062X
12" Swing Nozzle w/
Stream Regulator Outlet

Cerama Cartridges &
Wrist Action Handles w/
Color Coded Indexes

Swivel Joint

5 1/4"
[134mm]

7 1/2"
[191mm]

4 13/16"
[122mm]

2 3/8"
[61mm]

8"
[203mm]
Adjustable From
7 3/4" to 8 1/4"
[197mm to 210mm]

Ø 2" [51mm]
Flanges w/
1/2" NPT
Female Inlets

Mounting Surface

Product Specifications:

8" Wall Mount Mixing Faucet, Cerama Cartridges, 4" Wrist Action Handles, 12" Swing Nozzle & 1/2" NPT Female Inlets

Product Compliance:

ASME A112.18.1 / CSA B125.1
NSF 61 - Section 9
NSF 372 (Low Lead Content)
ANSI A117.1 (ADA)

Drawn: DHL

Checked: JRM

Approved: JHB

Date: 04/11/14

Scale: 1:6

Sheet: 1 of 2



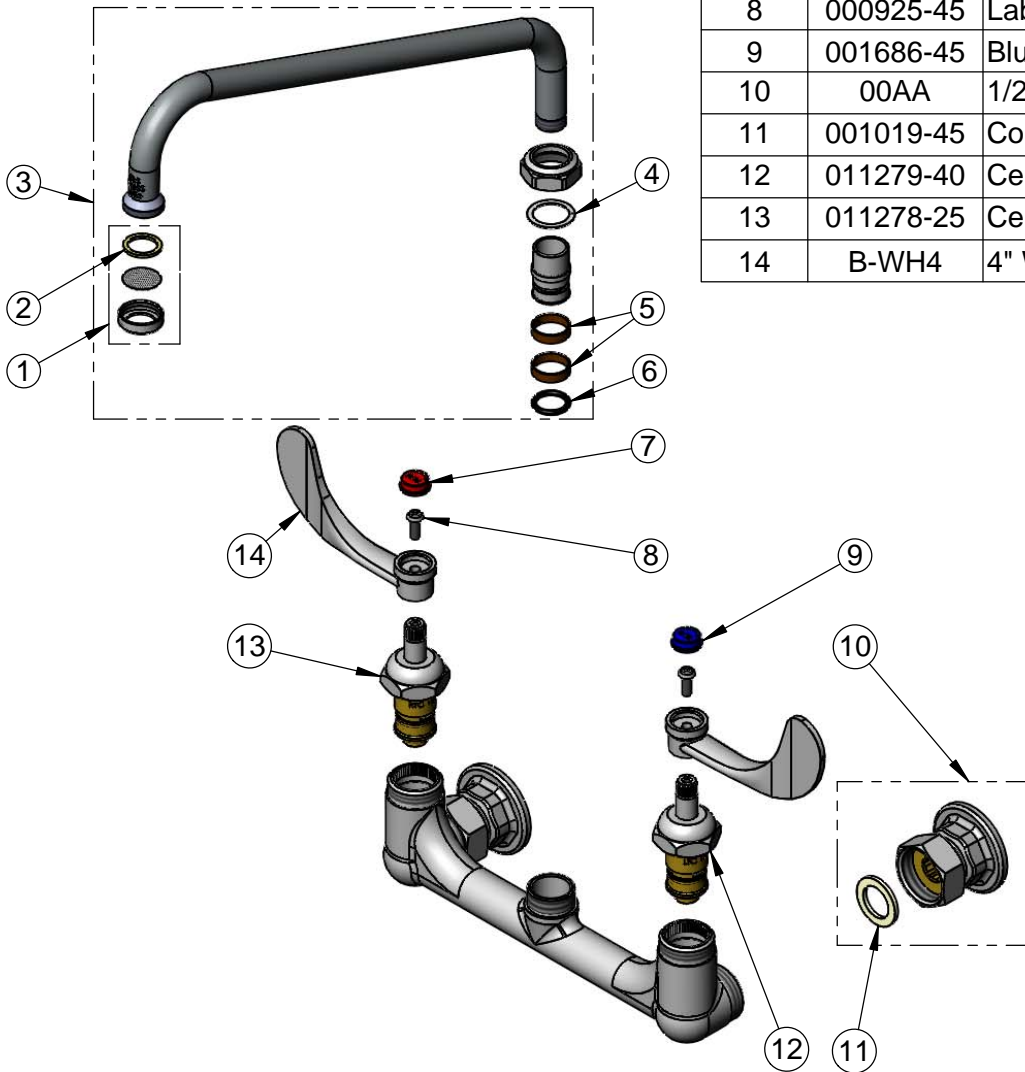
T&S BRASS AND BRONZE WORKS, INC.
 2 Saddleback Cove / P.O. Box 1088
 Travelers Rest, SC 29690

Model No.
B-2463

Item No.

Travelers Rest, SC: 800-476-4103 • Simi Valley, CA: 800-423-0150 • Fax: 864-834-3518 • www.tsbrass.com

ITEM NO.	SALES NO.	DESCRIPTION
1	B-PT	Stream Regulator Outlet
2	001048-45	Nozzle Tip Washer
3	062X	12" Swing Nozzle
4	009538-45	Swivel Washer
5	011429-45	Swivel Sleeves (2)
6	001074-45	O-Ring
7	001194-45	Red Index - HW
8	000925-45	Lab Handle Screw
9	001686-45	Blue Index - CW
10	00AA	1/2" NPT Female Eccentric Flange
11	001019-45	Coupling Nut Washer
12	011279-40	Cerama Cartridge, LTC
13	011278-25	Cerama Cartridge, RTC
14	B-WH4	4" Wrist Action Handle



Product Specifications:

8" Wall Mount Mixing Faucet, Cerama Cartridges, 4" Wrist Action Handles, 12" Swing Nozzle & 1/2" NPT Female Inlets

Product Compliance:

ASME A112.18.1 / CSA B125.1
 NSF 61 - Section 9
 NSF 372 (Low Lead Content)
 ANSI A117.1 (ADA)