



T&S BRASS AND BRONZE WORKS, INC.

2 Saddleback Cove / P.O. Box 1088
Travelers Rest, SC 29690



REG. #A2601
ISO #9001

Model No.

B-0235

Item No.

Travelers Rest, SC: 800-476-4103 Simi Valley, CA: 800-423-0150 Fax: 864-834-3518 www.tsbrass.com

This Space for Architect/Engineer Approval

Job Name _____ Date _____

Model Specified _____ Quantity _____

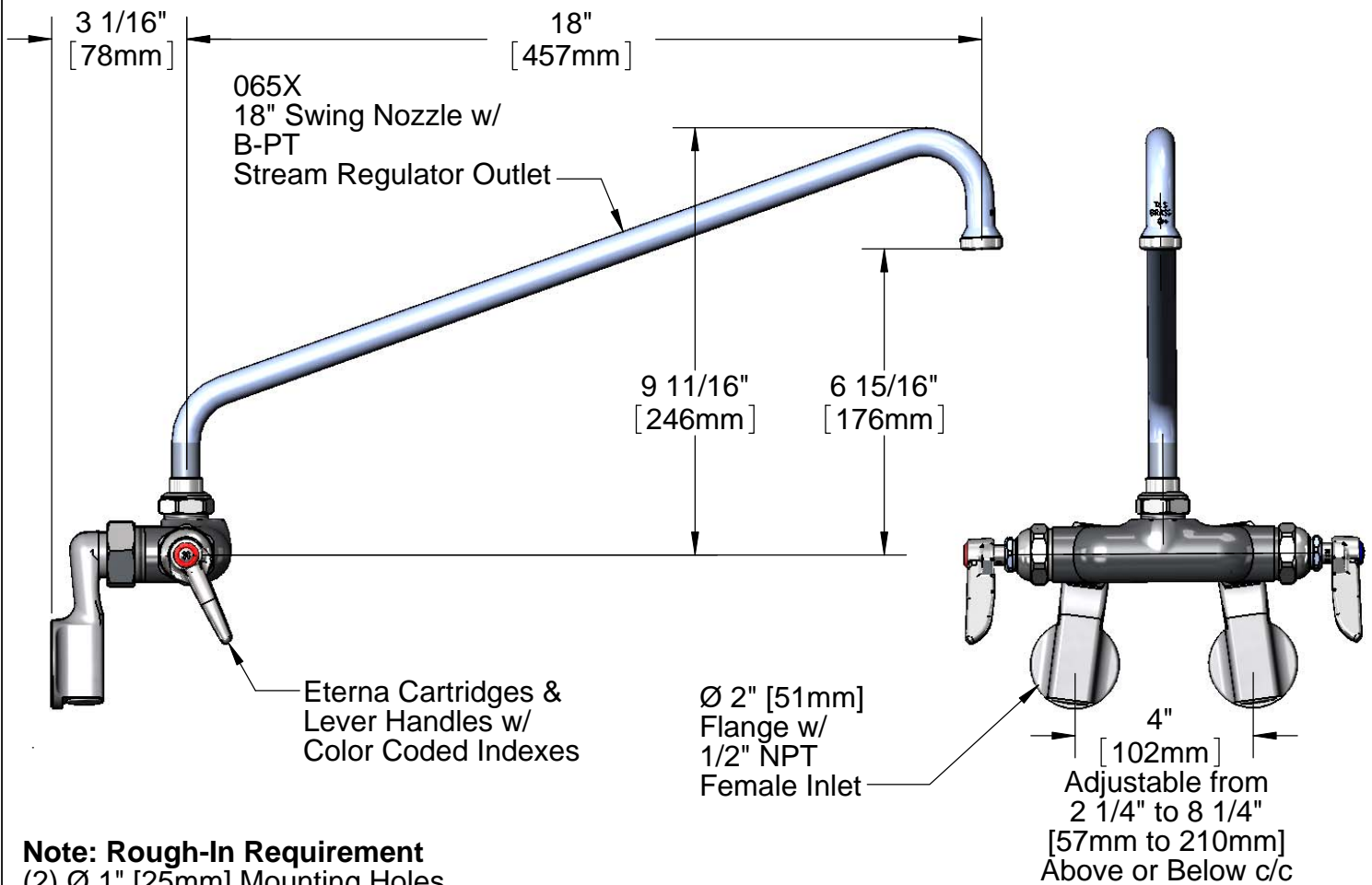
Customer/Wholesaler _____

Contractor _____

Architect/Engineer _____



ADA Compliant



Note: Rough-In Requirement
(2) Ø 1" [25mm] Mounting Holes

Product Specifications:

Combination Sink Faucet w/ Eterna Cartridges, 18" Swing Nozzle w/ B-PT Stream Regulator Outlet, Lever Handles & Adjustable Inlets

Drawn DHL	Checked JRM	Approved JHB
Scale: 1:4		Date: 02/17/11



T&S BRASS AND BRONZE WORKS, INC.

2 Saddleback Cove / P.O. Box 1088
Travelers Rest, SC 29690



REG. #A2601
ISO #9001

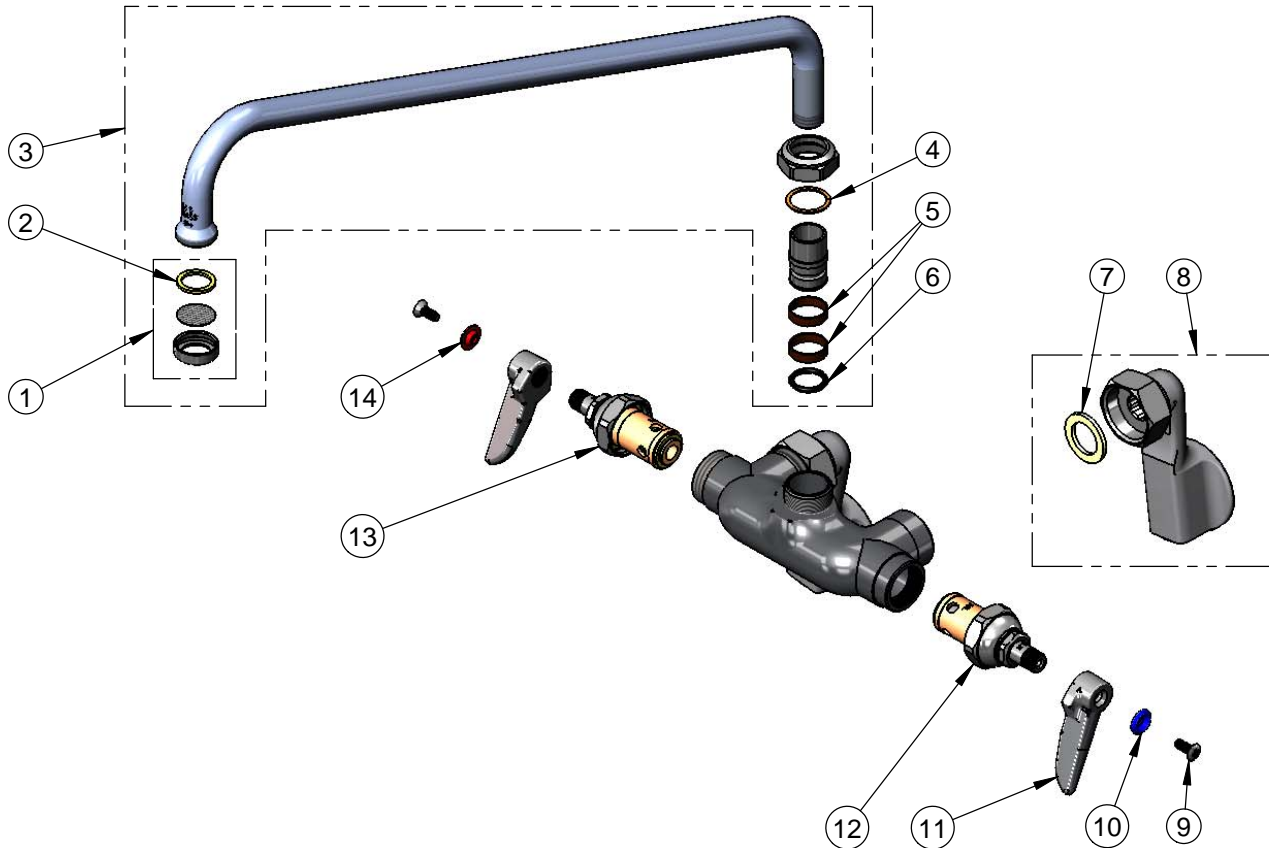
Model No.

B-0235

Item No.

Travelers Rest, SC: 800-476-4103 Simi Valley, CA: 800-423-0150 Fax: 864-834-3518 www.tsbrass.com

ITEM NO.	SALES NO.	DESCRIPTION
1	B-PT	Stream Regulator
2	001048-45	Nozzle Tip Washer
3	065X	18" Swing Nozzle Assembly
4	009538-45	Swivel Washer
5	011429-45	Swivel Sleeves (2)
6	001074-45	O-Ring
7	001019-45	Coupling Nut Washer
8	00GG	1/2" NPT, Adjustable Inlet Assembly
9	000922-45	Lever Handle Screw
10	001660-45	Blue Index-CW
11	001638-45	Lever Handle
12	005959-40	Spindle Asm. Eterna "Cold"
13	005960-40	Spindle Asm, Eterna "Hot"
14	001661-45	Red Index-HW



Product Specifications:

Combination Sink Faucet w/ Eterna Cartridges, 18" Swing Nozzle w/ B-PT Stream Regulator Outlet, Lever Handles & Adjustable Inlets

Drawn DHL	Checked JRM	Approved JHB
Scale: NTS		Date: 02/17/11



T&S BRASS AND BRONZE WORKS, INC.

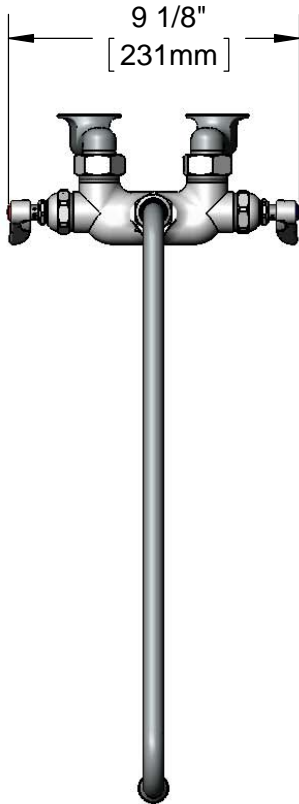
2 Saddleback Cove / P.O. Box 1088
Travelers Rest, SC 29690

Model No.

B-0240

Item No.

Travelers Rest, SC: 800-476-4103 • Simi Valley, CA: 800-423-0150 • Fax: 864-834-3518 • www.tsbrass.com



ADA Compliant

This Space for Architect/Engineer Approval

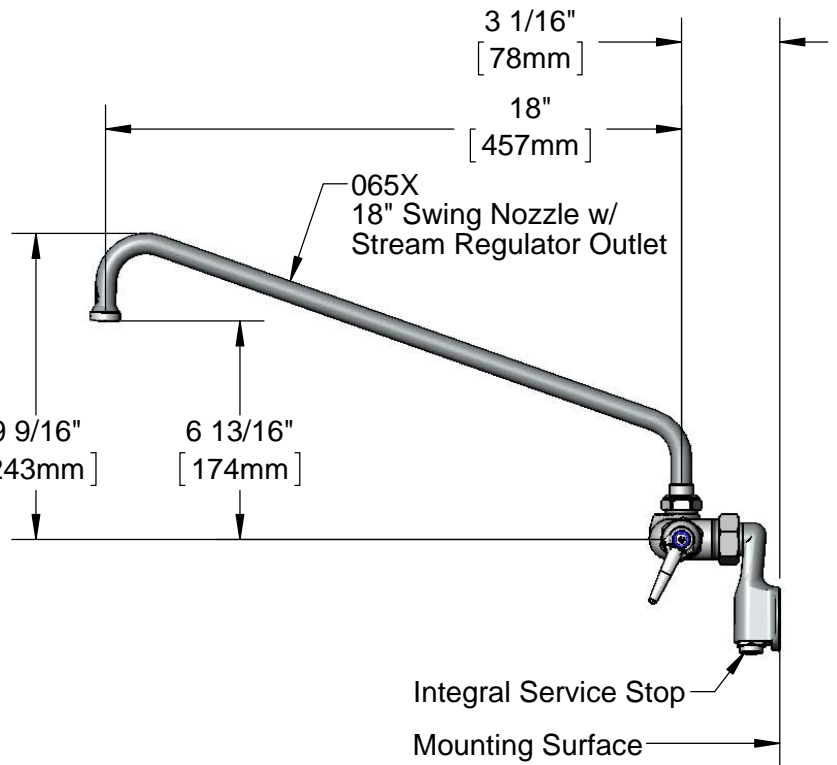
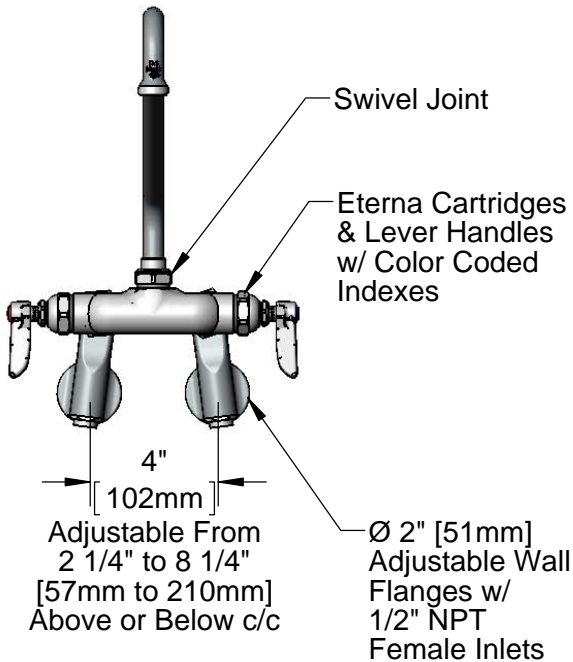
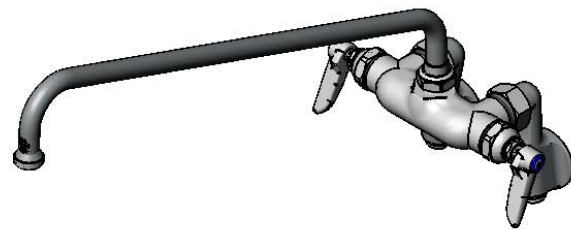
Job Name _____ Date _____

Model Specified _____ Quantity _____

Customer/Wholesaler _____

Contractor _____

Architect/Engineer _____



Product Specifications:
Combination Sink Faucet w/ Eterna Cartridges, Lever Handles,
18" Swing Nozzle & 1/2" NPT Female Inlet Adjustable Wall Flanges
w/ Integral Service Stops

Drawn

DHL

Checked

DMH

Approved

JHB

Scale:

1:6

Date:

02/04/14



T&S BRASS AND BRONZE WORKS, INC.

2 Saddleback Cove / P.O. Box 1088
Travelers Rest, SC 29690

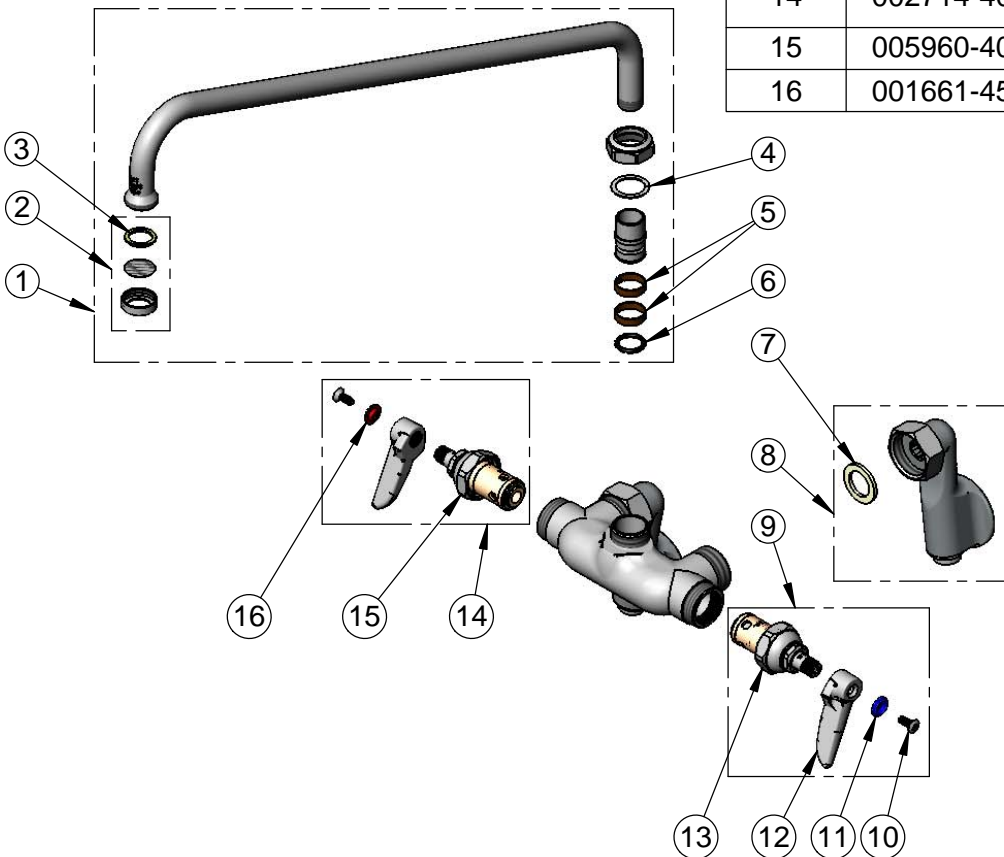
Model No.

B-0240

Item No.

Travelers Rest, SC: 800-476-4103 • Simi Valley, CA: 800-423-0150 • Fax: 864-834-3518 • www.tsbrass.com

ITEM NO.	SALES NO.	DESCRIPTION
1	065X	18" Swing Nozzle
2	B-PT	Stream Regulator Outlet
3	001048-45	Nozzle Tip Washer
4	009538-45	Swivel Washer
5	011429-45	Swivel Sleeves (2)
6	001074-45	O-Ring
7	001019-45	Coupling Nut Washer
8	00XX	1/2" NPT Female Inlet Adjustable Wall Flange w/ Screwdriver Stop
9	002713-40	Eterna Cartridge LTC w/ Handle, Index & Screw
10	000922-45	Lever Handle Screw
11	001660-45	Blue Index-CW
12	001638-45	Lever Handle
13	005959-40	Eterna Cartridge, LTC
14	002714-40	Eterna Cartridge RTC w/ Handle, Index & Screw
15	005960-40	Eterna Cartridge, RTC
16	001661-45	Red Index-HW



Product Specifications:

Combination Sink Faucet w/ Eterna Cartridges, Lever Handles, 18" Swing Nozzle & 1/2" NPT Female Inlet Adjustable Wall Flanges w/ Integral Service Stops

Drawn

DHL

Checked

DMH

Approved

JHB

Scale:

NTS

Date:

02/04/14



T&S BRASS AND BRONZE WORKS, INC.

2 Saddleback Cove / P.O. Box 1088
Travelers Rest, SC 29690



REG. #A2601
ISO #9001

Model No.

B-0235-CC

Item No.

Travelers Rest, SC: 800-476-4103 • Simi Valley, CA: 800-423-0150 • Fax: 864-834-3518 • www.tsbrass.com

This Space for Architect/Engineer Approval

Job Name _____ Date _____

Model Specified _____ Quantity _____

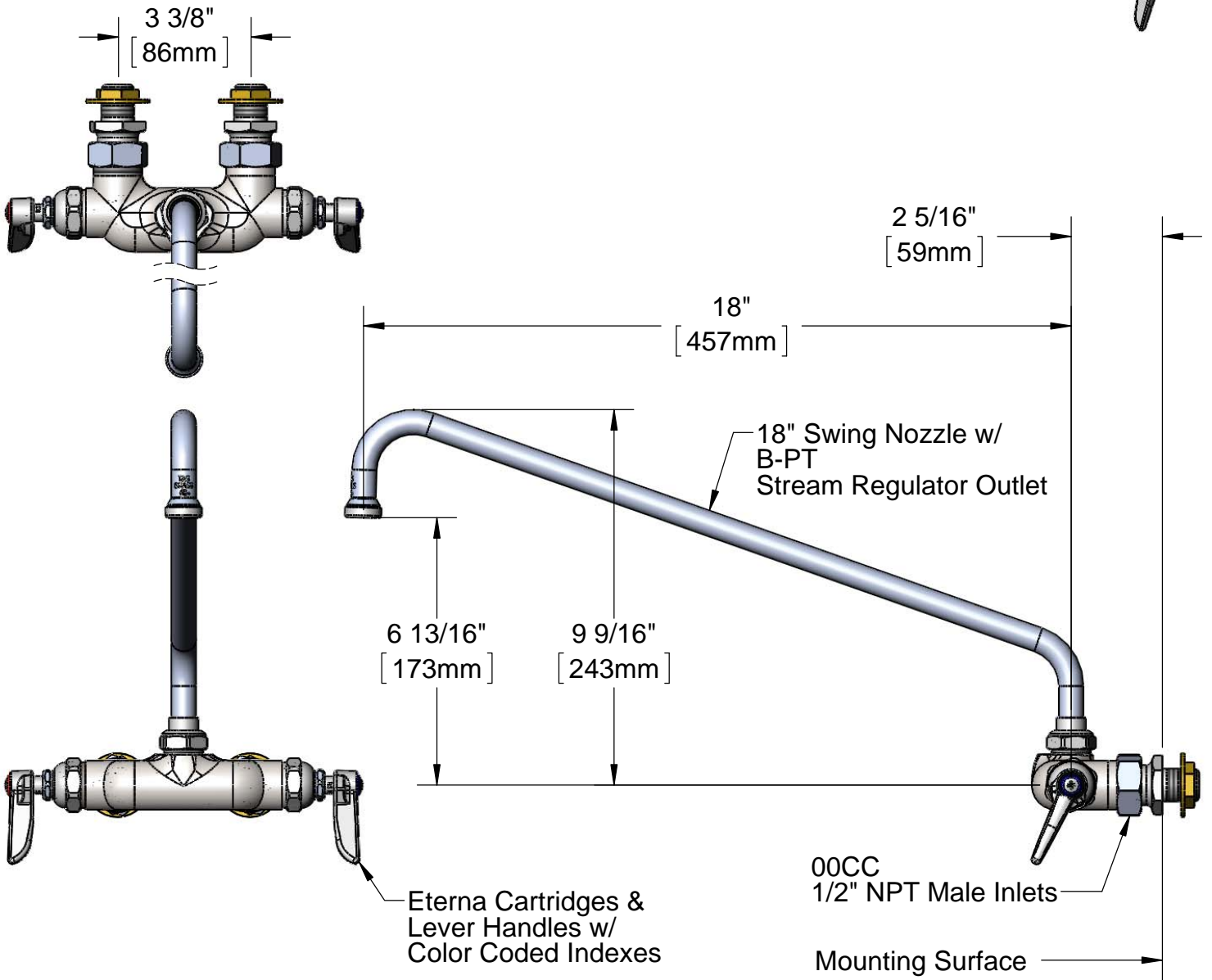
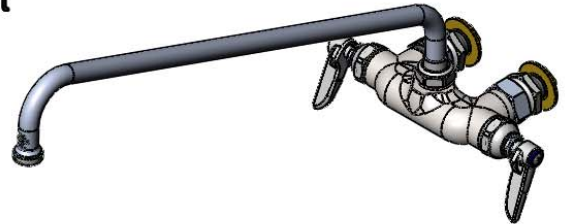
Customer/Wholesaler _____

Contractor _____

Architect/Engineer _____



ADA Compliant



Product Specifications:
Wall Mount Faucet, Eterna Cartridges, Lever Handles,
18" Swing Nozzle & 00CC Male Inlets

Drawn DHL	Checked DMH	Approved JHB
Scale: 1:4		Date: 07/01/11



T&S BRASS AND BRONZE WORKS, INC.

2 Saddleback Cove / P.O. Box 1088
Travelers Rest, SC 29690



REG. #A2601
ISO #9001

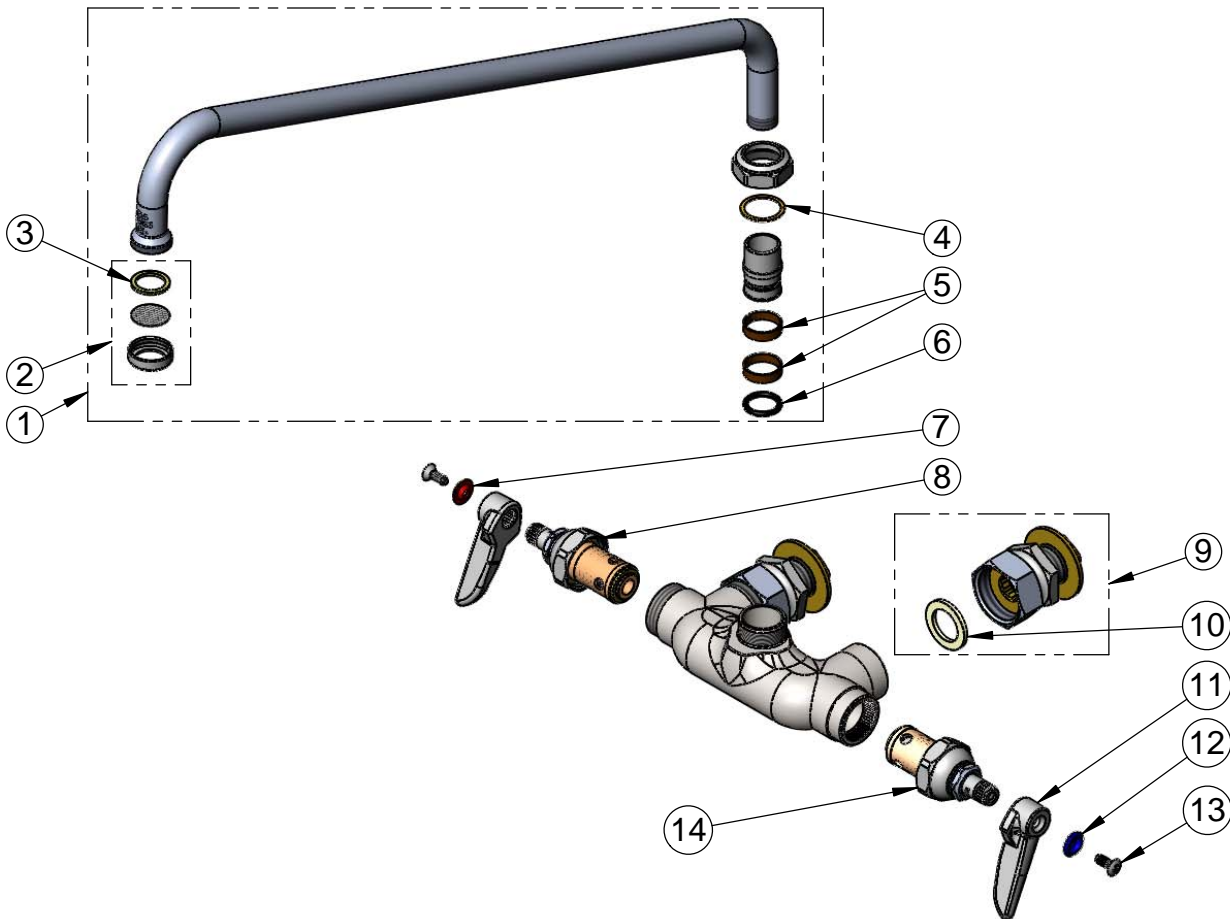
Model No.

B-0235-CC

Item No.

Travelers Rest, SC: 800-476-4103 • Simi Valley, CA: 800-423-0150 • Fax: 864-834-3518 • www.tsbrass.com

ITEM NO.	SALES NO.	DESCRIPTION
1	065X	18" Swing Nozzle w/ B-PT
2	B-PT	Stream Regulator
3	001048-45	Nozzle Tip Washer
4	009538-45	Swivel Washer
5	011429-45	Swivel Sleeves (2)
6	001074-45	O-Ring
7	001661-45	Red Index-HW
8	005960-40	Eterna Cartridge, RTC
9	00CC	1/2" NPT Male Inlet Flange
10	001019-45	Coupling Nut Washer
11	001638-45	Lever Handle
12	001660-45	Blue Index-CW
13	000922-45	Lever Handle Screw
14	005959-40	Eterna Cartridge, LTC



Product Specifications:
Wall Mount Faucet, Eterna Cartridges, Lever Handles,
18" Swing Nozzle & 00CC Male Inlets

Drawn DHL	Checked DMH	Approved JHB
Scale: NTS		Date: 07/01/11

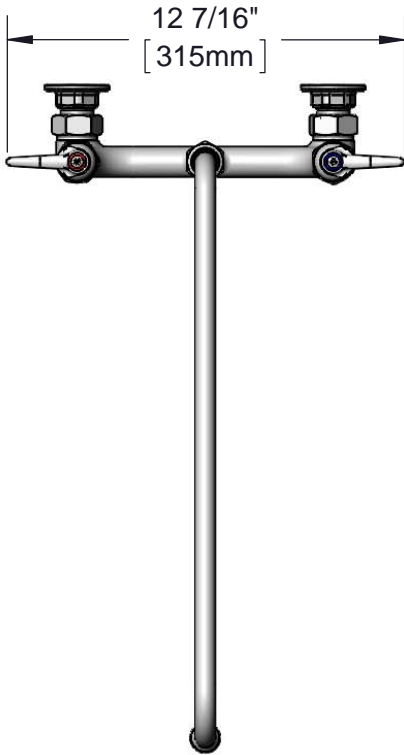


T&S BRASS AND BRONZE WORKS, INC.
 2 Saddleback Cove / P.O. Box 1088
 Travelers Rest, SC 29690

Model No.
B-0230

Item No.

Travelers Rest, SC: 800-476-4103 • Simi Valley, CA: 800-423-0150 • Fax: 864-834-3518 • www.tsbrass.com



This Space for Architect/Engineer Approval

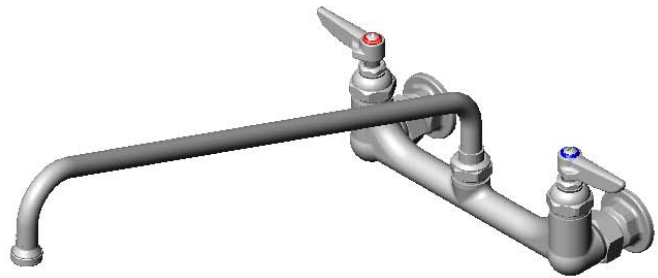
Job Name _____ Date _____

Model Specified _____ Quantity _____

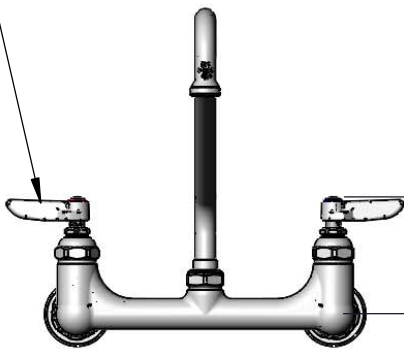
Customer/Wholesaler _____

Contractor _____

Architect/Engineer _____



Eterna Cartridges & Lever Handles w/ Color Coded Indexes

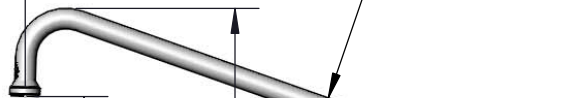


8" [203mm]
 Adjustable from 7 3/4" to 8 1/4" [197mm to 210mm]

3 5/8" [93mm]

18" [457mm] 2 3/8" [60mm]

065X
 18" Swing Nozzle w/
 Stream Regulator
 Outlet



6 3/4" [172mm] 9 9/16" [242mm]

Ø 2" [51mm]
 Flanges w/
 1/2" NPT
 Female Inlets

Mounting Surface

Product Specifications:

8" Wall Mount Mixing Faucet, Eterna Cartridges, Lever Handles, 18" Swivel Nozzle & 1/2" NPT Female Inlets

Product Compliance:

ASME A112.18.1 / CSA B125.1
 NSF 61 - Section 9
 NSF 372 (Low Lead Content)
 ANSI A117.1 (ADA)



T&S BRASS AND BRONZE WORKS, INC.

2 Saddleback Cove / P.O. Box 1088
Travelers Rest, SC 29690

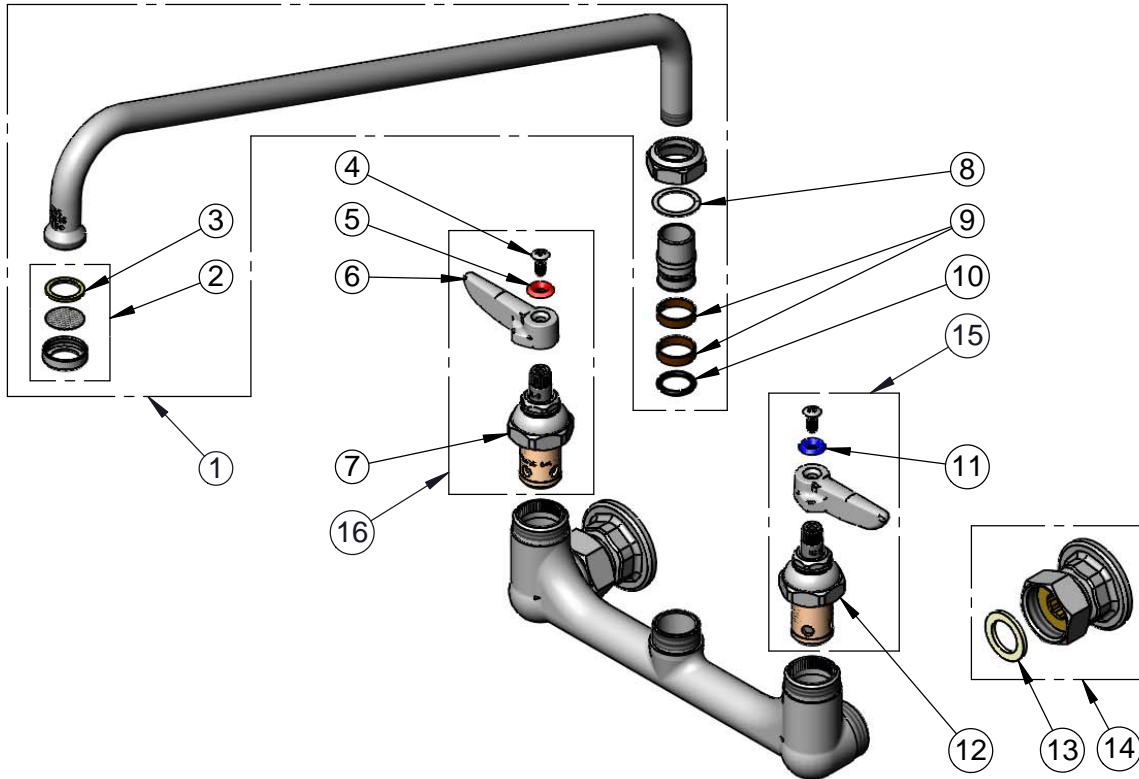
Model No.

B-0230

Item No.

Travelers Rest, SC: 800-476-4103 • Simi Valley, CA: 800-423-0150 • Fax: 864-834-3518 • www.tsbrass.com

ITEM NO.	SALES NO.	DESCRIPTION
1	065X	18" Swing Nozzle
2	B-PT	Stream Regulator Outlet
3	001048-45	Nozzle Tip Washer
4	000922-45	Lever Handle Screw
5	001661-45	Red Index-HW
6	001638-45	Lever Handle
7	005960-40	Eterna Cartridge, RTC
8	009538-45	Swivel Washer
9	011429-45	Swivel Sleeves (2)
10	001074-45	O-Ring
11	001660-45	Blue Index-CW
12	005959-40	Eterna Cartridge, LTC
13	001019-45	Coupling Nut Washer
14	00AA	1/2" NPT Female Eccentric Flange
15	002713-40	Eterna Cartridge, LTC w/ Handle, Index & Screw
16	002714-40	Eterna Cartridge, RTC w/ Handle, Index & Screw



Product Specifications:

8" Wall Mount Mixing Faucet, Eterna Cartridges, Lever Handles, 18" Swivel Nozzle & 1/2" NPT Female Inlets

Product Compliance:

ASME A112.18.1 / CSA B125.1
NSF 61 - Section 9
NSF 372 (Low Lead Content)
ANSI A117.1 (ADA)



T&S BRASS AND BRONZE WORKS, INC.
 2 SADDLEBACK COVE / P.O. BOX 1088 / TRAVELERS REST, SC 29690
 PHONE 800-476-4103 - FAX 864- 834-3518



Model No.

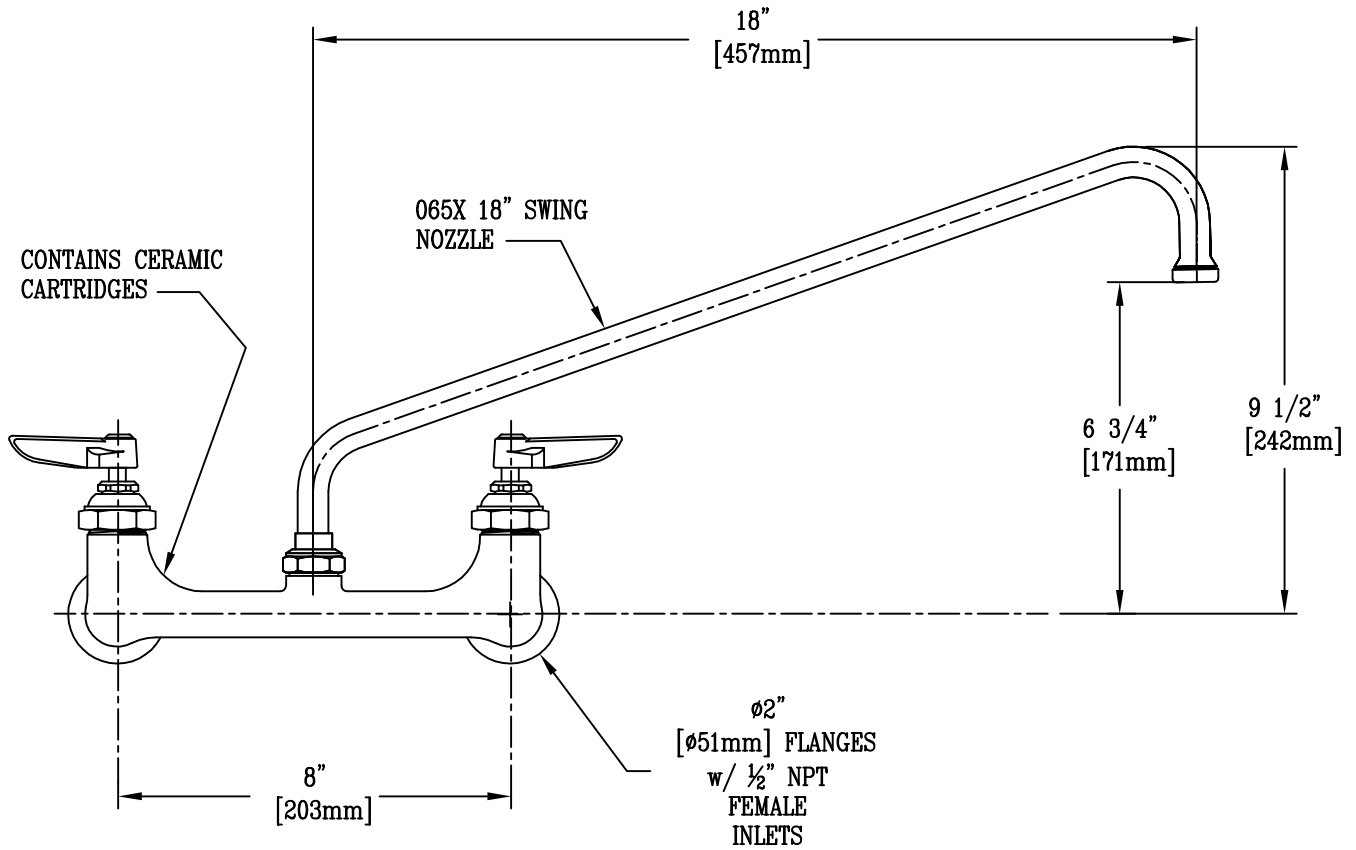
B-0230-CR

**RELIABILITY
 BUILT IN**

Job Name:

Architect/Engineer Approval:

Notes:



Product Description:
 8" c/c WALL MOUNT BASE FCT. WITH CERAMIC CARTRIDGES, 18" SWING NOZZLE

Drawn:

WJS

Checked

JRM

Scale:

1 : 4

Approved

JHB

Date:

11/13/06



T&S BRASS AND BRONZE WORKS, INC.
 2 Saddleback Cove / P.O. Box 1088
 Travelers Rest, SC 29690

Model No.
B-0230-CR-02

Item No.

Travelers Rest, SC: 800-476-4103 • Simi Valley, CA: 800-423-0150 • Fax: 864-834-3518 • www.tsbrass.com



ADA Compliant

This Space for Architect/Engineer Approval

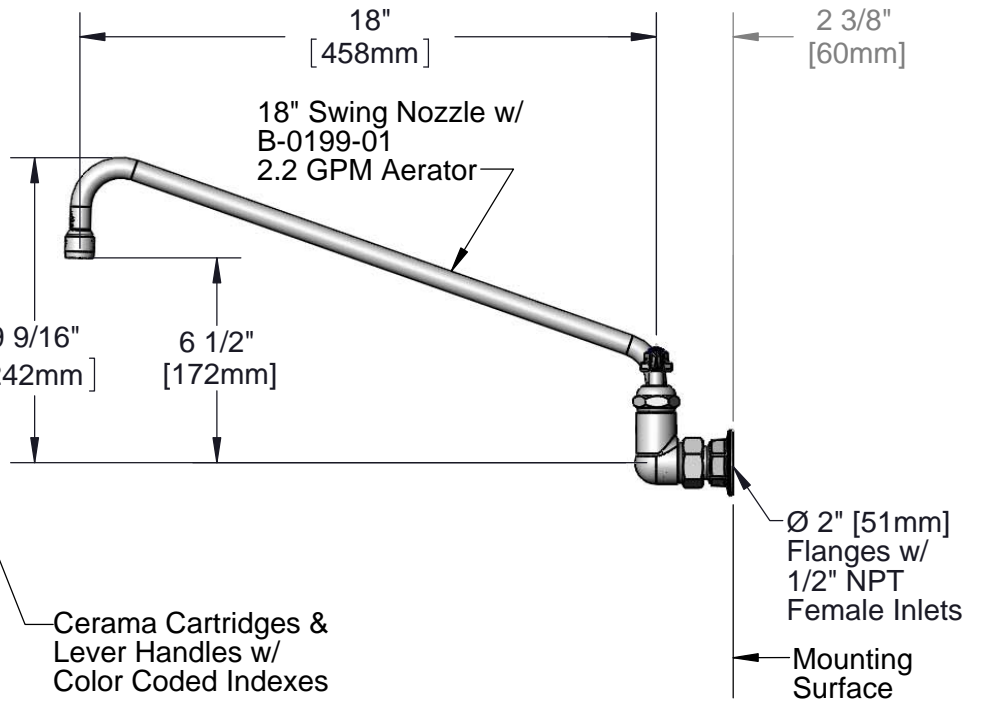
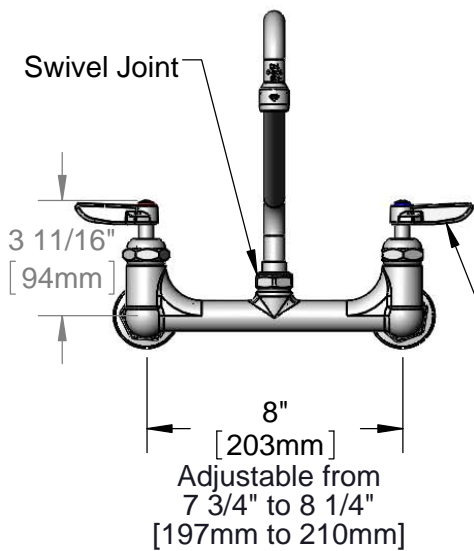
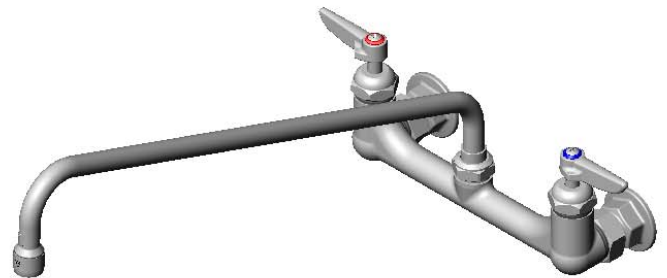
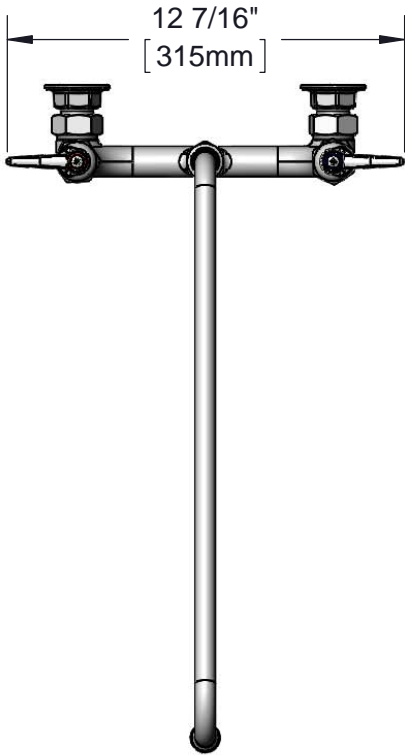
Job Name _____ Date _____

Model Specified _____ Quantity _____

Customer/Wholesaler _____

Contractor _____

Architect/Engineer _____



Product Specifications:
 8" Wall Mount Mixing Faucet, Cerama Cartridges, Lever Handles, 18" Swivel Nozzle 2.2 GPM Aerator & 1/2" NPT Female Inlets

Product Compliance:
 ASME A112.18.1 / CSA B125.1
 NSF 61 - Section 9
 NSF 372 (Low Lead Content)
 ANSI A117.1 (ADA)



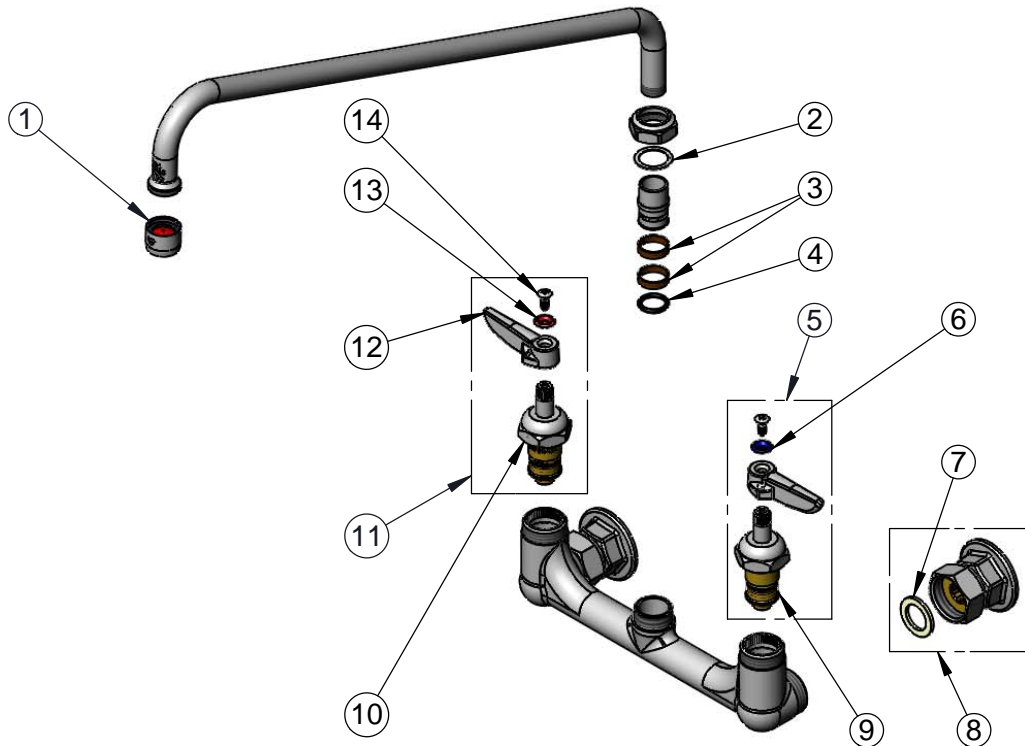
T&S BRASS AND BRONZE WORKS, INC.
 2 Saddleback Cove / P.O. Box 1088
 Travelers Rest, SC 29690

Model No.
B-0230-CR-02

Item No.

Travelers Rest, SC: 800-476-4103 • Simi Valley, CA: 800-423-0150 • Fax: 864-834-3518 • www.tsbrass.com

ITEM NO.	SALES NO.	DESCRIPTION
1	B-0199-01	2.2 GPM Aerator, 55/64"-27 UN Female
2	009538-45	Swivel Washer
3	011429-45	Swivel Sleeves (2)
4	001074-45	O-Ring
5	012445-25	Quarter-Turn Cerama Cartridge, LTC w/ Handle, Index & Screw
6	001660-45	Blue Index-CW
7	001019-45	Coupling Nut Washer
8	00AA	1/2" NPT Female Eccentric Flange
9	011279-25	Quarter-Turn Cerama Cartridge, LTC
10	011278-25	Quarter-Turn Cerama Cartridge, RTC
11	012444-25	Quarter-Turn Cerama Cartridge, RTC w/ Handle, Index & Screw
12	001638-45	Lever Handle
13	001661-45	Red Index-HW
14	000922-45	Lever Handle Screw



Product Specifications:

8" Wall Mount Mixing Faucet, Cerama Cartridges, Lever Handles, 18" Swivel Nozzle 2.2 GPM Aerator & 1/2" NPT Female Inlets

Product Compliance:

ASME A112.18.1 / CSA B125.1
 NSF 61 - Section 9
 NSF 372 (Low Lead Content)
 ANSI A117.1 (ADA)



T&S BRASS AND BRONZE WORKS, INC.
 2 SADDLEBACK COVE / P.O. BOX 1088 / TRAVELERS REST, SC 29690
 PHONE 800-476-4103 FAX 864-834-3518



Model No.

B-0230-02

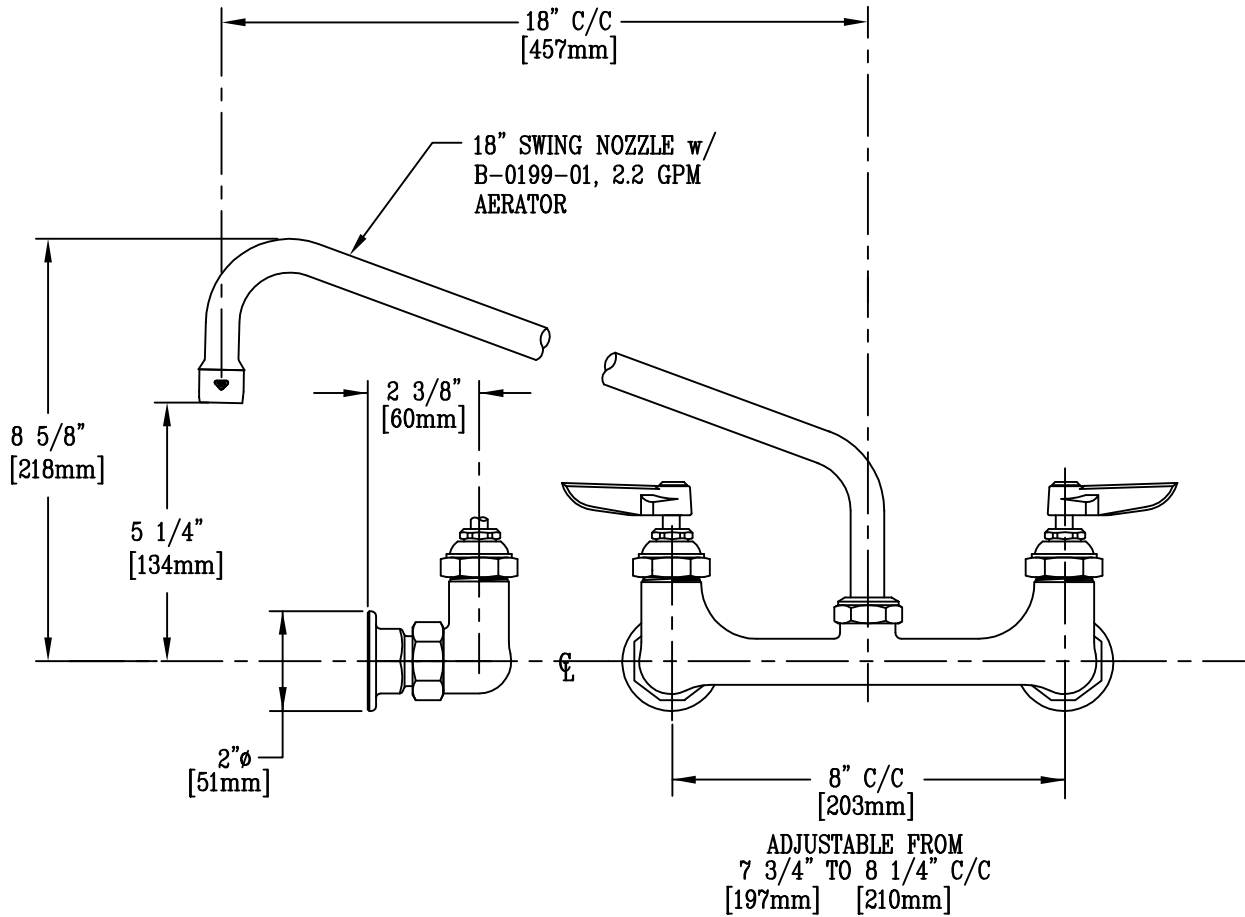
Item No.:

REG.#A2601
ISO #9001

Job Name:

Architect/Engineer Approval:

Notes:



Product Description:

8" c/c WALL MOUNT MIXING FCT, 1/2" NPT FEMALE INLETS,
18" SWING NOZZLE w/ 2.2 GPM AERATOR

Drawn:

WJS

Approved

JHB

Checked

GEF

Scale:

1 : 4

Date:

02/15/07



T&S BRASS AND BRONZE WORKS, INC.

2 SADDLEBACK COVE / P.O. BOX 1088 / TRAVELERS REST, SC 29690

PHONE 800-476-4103

FAX 864-834-3518



REG.#A2601
ISO #9002

Model No.

B-0230-BST

Item No.:

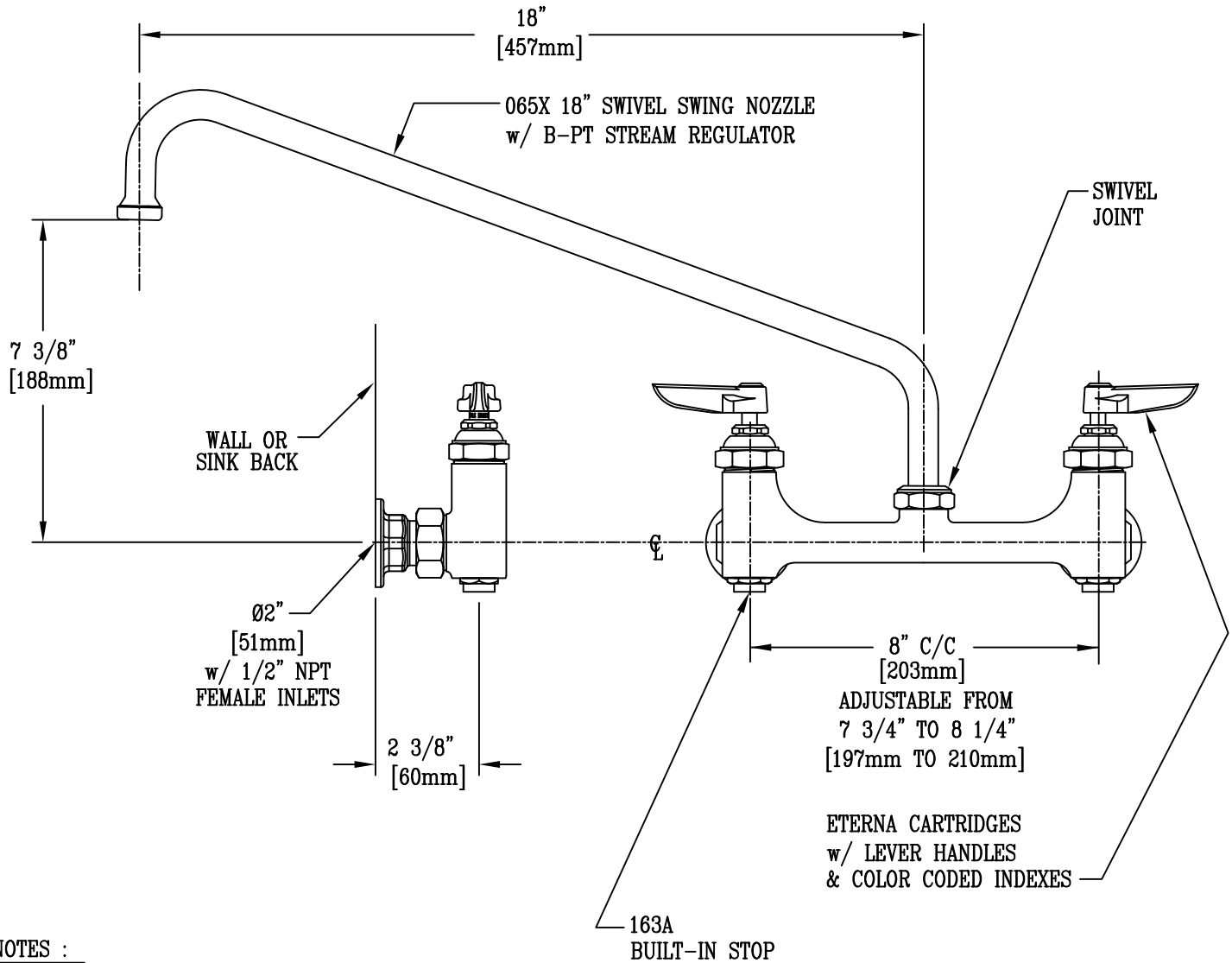
Job Name:

Architect/Engineer Approval:

Notes:



ADA COMPLIANT



NOTES :

1. ALSO AVAILABLE WITH B-WH4" OR B-WH6" WRIST ACTION BLADE HANDLES.
2. ALSO AVAILABLE WITH MODEL #B-SD SOAP DISH
3. NOZZLE SWINGS 360°
4. ALSO AVAILABLE WITH B-0199-01 NON-SPLASH AERATOR.
5. BST PROVIDES INDIVIDUAL SHUT-OFF OF EACH VALVE WHEN MAINTENANCE IS REQUIRED.

Product Description:

8" c/c SWIVEL WALL MOUNT FAUCET, 18" SWING NOZZLE w/ STREAM REGULATOR, Ø2" WALL FLANGES w/ 1/2" NPT ADJUSTABLE FEMALE INLETS & BUILT-IN STOPS

Drawn:

DHL

Checked

KJG

Scale:

1:4

Approved

JHB

Date:

07/01/10



T&S BRASS AND BRONZE WORKS, INC.

2 Saddleback Cove / P.O. Box 1088
 Travelers Rest, SC 29690



REG. #A2601
 ISO #9001

Model No.
B-0230-TZ-CR-SC

Item No.

Travelers Rest, SC: 800-476-4103 • Simi Valley, CA: 800-423-0150 • Fax: 864-834-3518 • www.tsbrass.com

This Space for Architect/Engineer Approval

Job Name _____ Date _____

Model Specified _____ Quantity _____

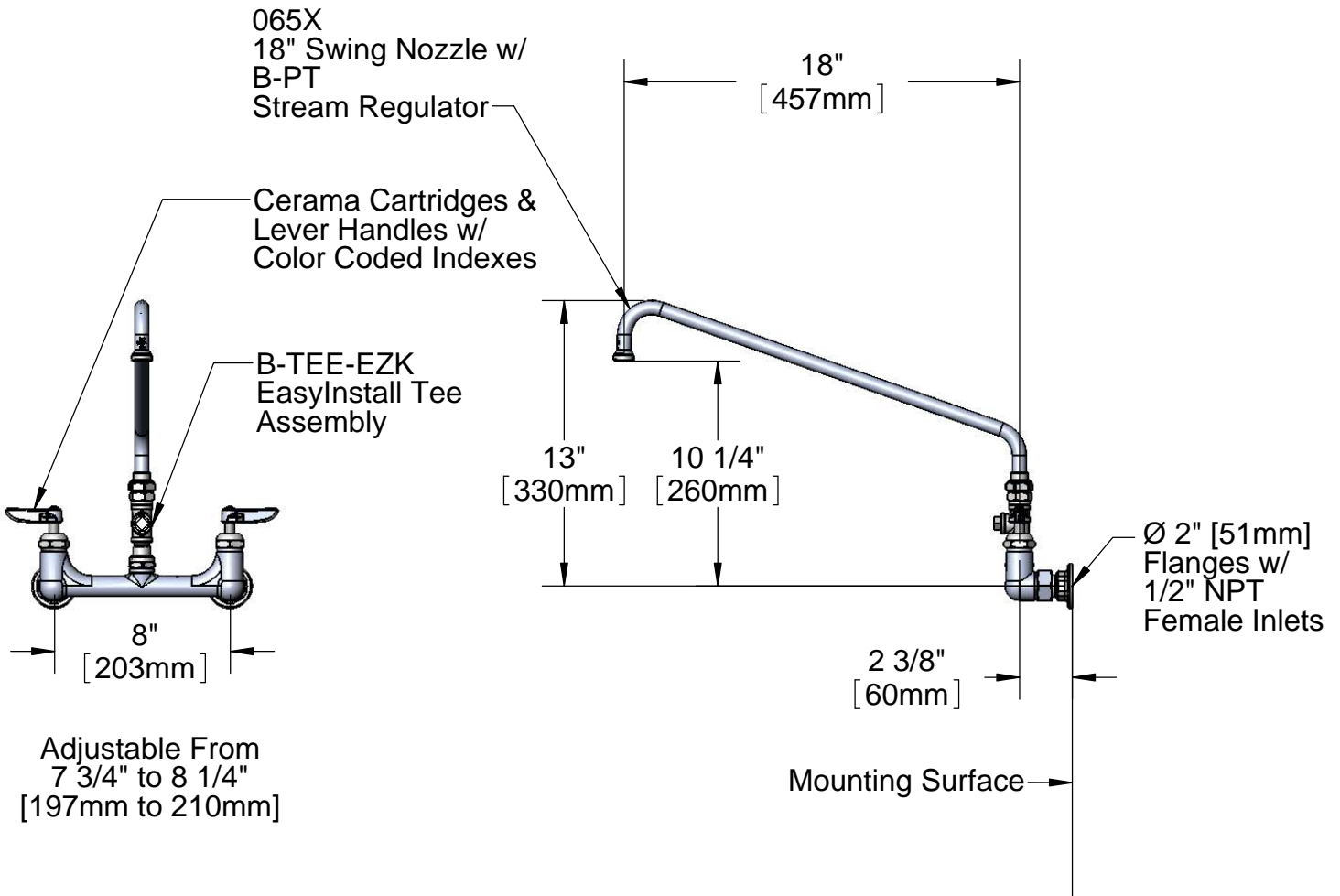
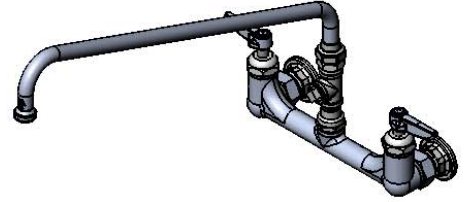
Customer/Wholesaler _____

Contractor _____

Architect/Engineer _____



ADA Compliant



Product Specifications:
 8" Wall Mount Mixing Faucet, Cerama Cartridges w/ Check Valves,
 18" Swing Nozzle w/ Stream Regulator, Lever Handles, 1/2" NPT
 Female Inlet Flanges & EasyInstall Tee Assembly

Drawn DHL	Checked GEF	Approved JHB
Scale: 1:8		Date: 06/03/11



T&S BRASS AND BRONZE WORKS, INC.

2 Saddleback Cove / P.O. Box 1088
Travelers Rest, SC 29690



REG. #A2601
ISO #9001

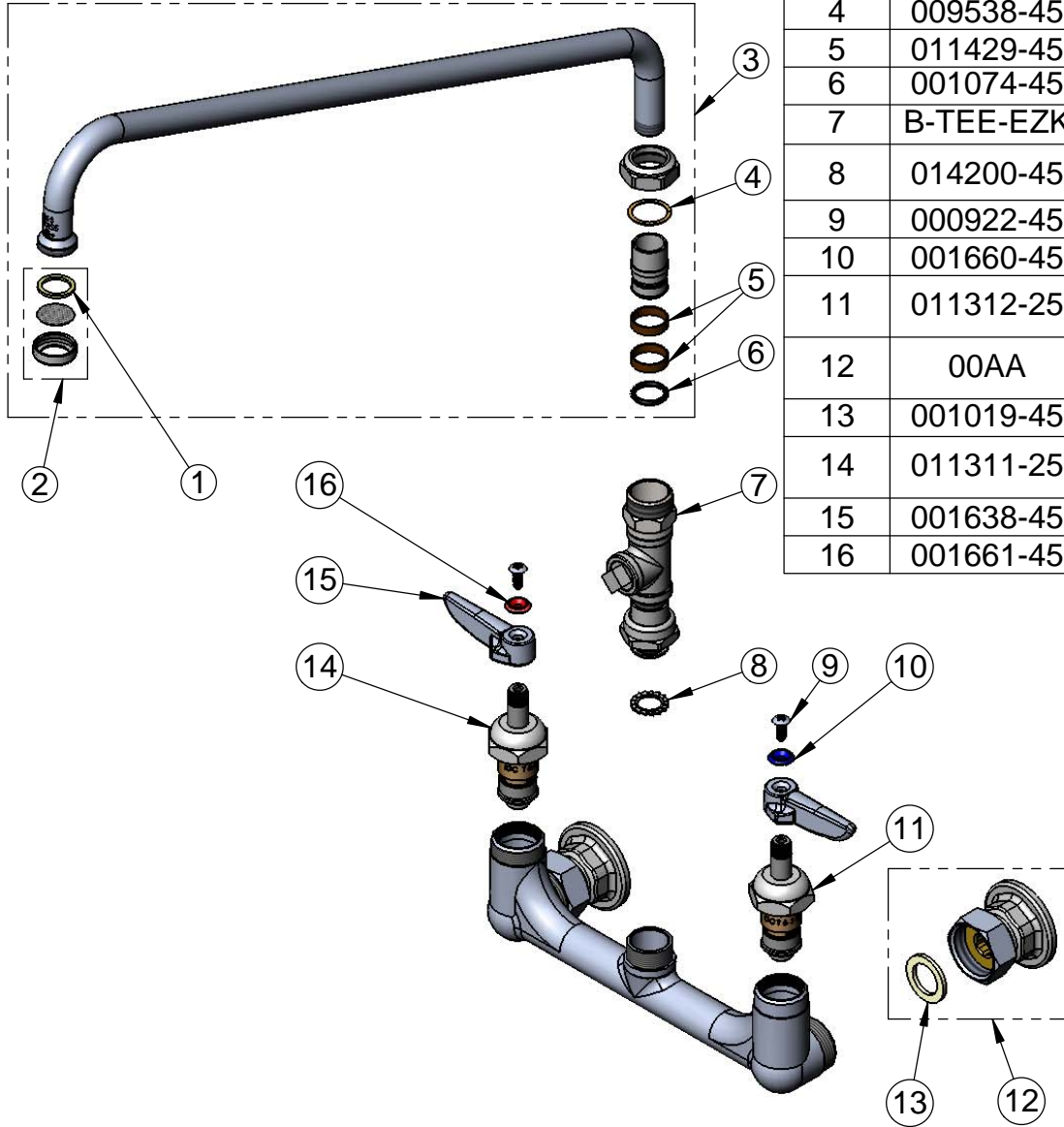
Model No.

B-0230-TZ-CR-SC

Item No.

Travelers Rest, SC: 800-476-4103 • Simi Valley, CA: 800-423-0150 • Fax: 864-834-3518 • www.tsbrass.com

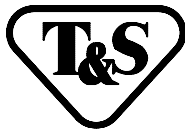
ITEM NO.	SALES NO.	DESCRIPTION
1	001048-45	Nozzle Tip Washer
2	B-PT	Stream Regulator
3	065X	18" Swing Nozzle w/ Stream Regulator
4	009538-45	Swivel Washer
5	011429-45	Swivel Sleeves (2)
6	001074-45	O-Ring
7	B-TEE-EZK	EasyInstall Tee Assembly
8	014200-45	Star Washer, Anti- Rotation
9	000922-45	Lever Handle Screw
10	001660-45	Blue Index-CW
11	011312-25	Cerama Cartridge, LTC w/ Check Valve
12	00AA	Wall Flange, 1/2" NPT Female Inlet
13	001019-45	Coupling Nut Washer
14	011311-25	Cerama Cartridge, RTC w/ Check Valve
15	001638-45	Lever Handle
16	001661-45	Red Index-HW



Product Specifications:

8" Wall Mount Mixing Faucet, Cerama Cartridges w/ Check Valves, 18" Swing Nozzle w/ Stream Regulator, Lever Handles, 1/2" NPT Female Inlet Flanges & EasyInstall Tee Assembly

Drawn DHL	Checked GEF	Approved JHB
Scale: NTS		Date: 06/03/11



T&S BRASS AND BRONZE WORKS, INC.
 2 SADDLEBACK COVE / P.O. BOX 1088 / TRAVELERS REST, SC 29690
 (803) 834-4102 TELEX 57-0311 FAX (803) 834-3518

Model No.
B-0233-04
Item No.:

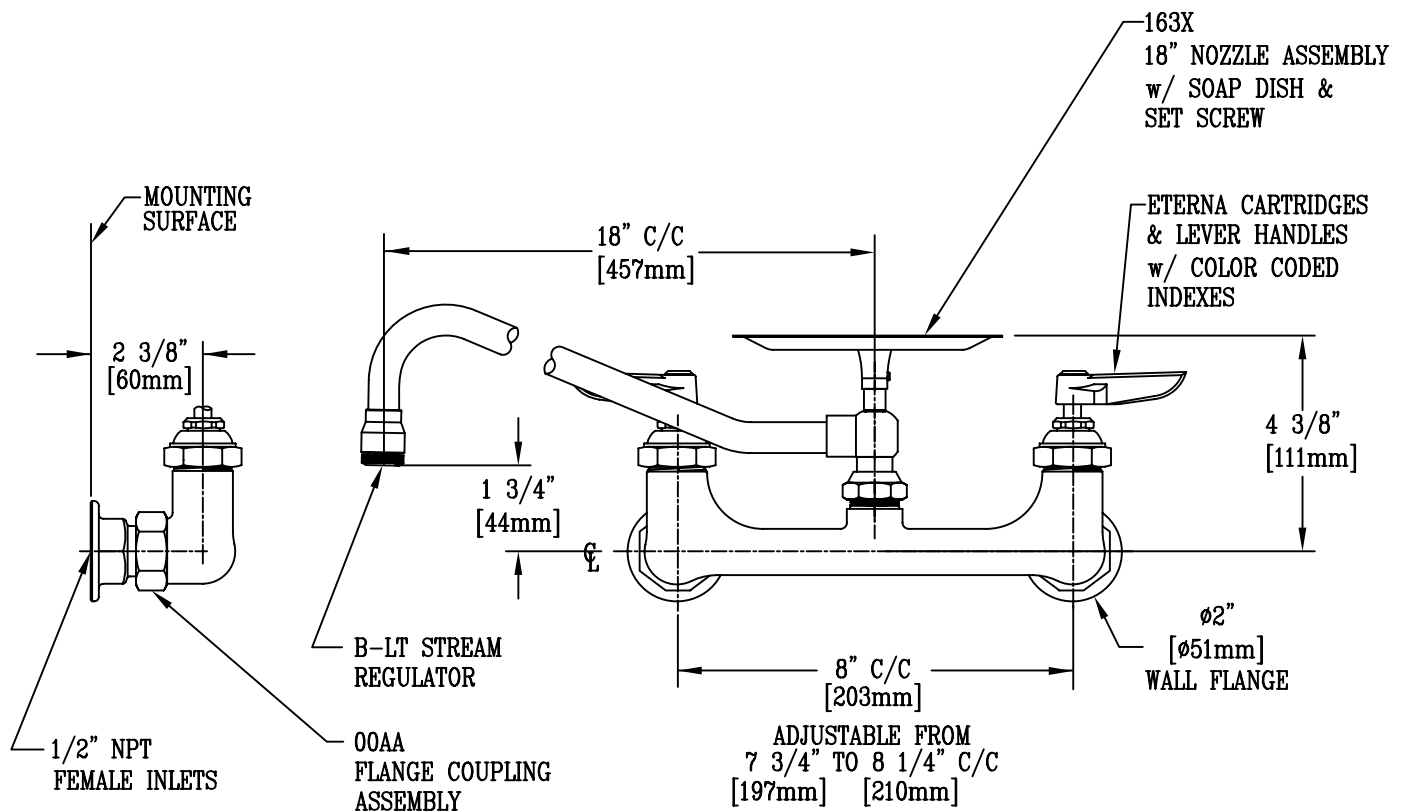
Job Name:

Architect/Engineer Approval:

Notes:



ADA COMPLIANT



NOTES:

1. SOAP DISH TURNS WITH NOZZLE.

Product Description: 8" c/c WALL MOUNT MIXING FAUCET, LEVER HANDLES, 18" NOZZLE ASSEMBLY w/ SOAP DISH ATTACHMENT, B-LT STREAM REGULATOR & 1/2" NPT FEMALE INLETS	Drawn:	Checked:	Scale:
	KJG	DHL	1:4
	Approved:	Date:	
	JHB	10/05/09	



T&S BRASS AND BRONZE WORKS, INC.
 2 SADDLEBACK COVE / P.O. BOX 1088 / TRAVELERS REST, SC 29690
 PHONE 800-476-4103 - FAX 864- 834-3518



Model No.

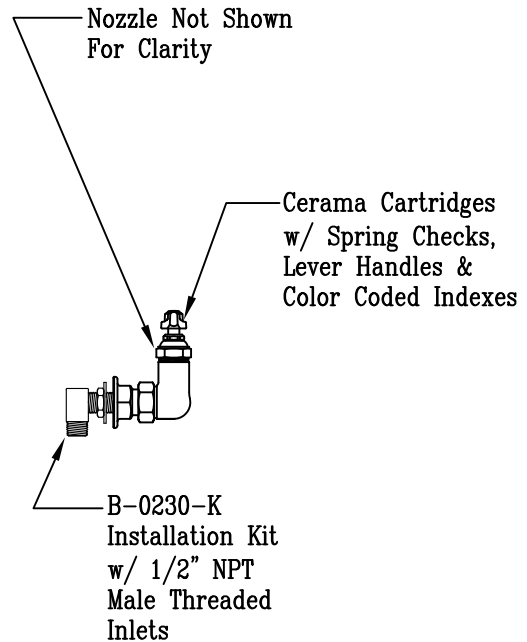
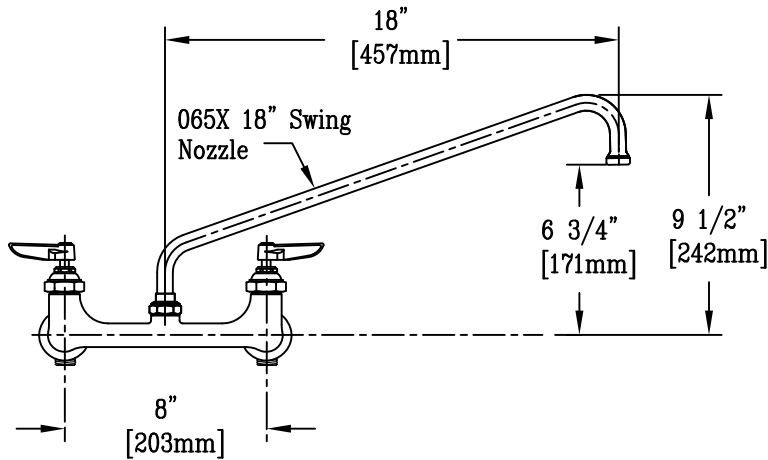
B-0230-CR-SC-EK

**RELIABILITY
 BUILT IN**

Job Name:

Architect/Engineer Approval:

Notes:



Product Description:
 8" c/c WALL MOUNT BASE FCT. WITH
 CERAMAS w/ SPRING CHECKS, 18" SWING NOZZLE
 & B-230-K

Drawn:

JRM

Approved

JHB

Checked

DMH

Scale:

1 : 8

Date:

12/20/10



T&S BRASS AND BRONZE WORKS, INC.

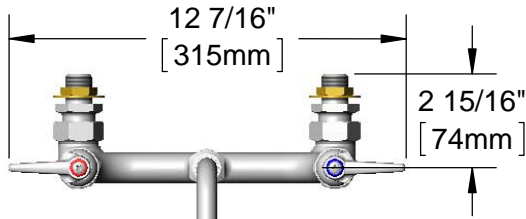
2 Saddleback Cove / P.O. Box 1088
Travelers Rest, SC 29690

Model No.

B-0230-CC

Item No.

Travelers Rest, SC: 800-476-4103 • Simi Valley, CA: 800-423-0150 • Fax: 864-834-3518 • www.tsbrass.com



This Space for Architect/Engineer Approval

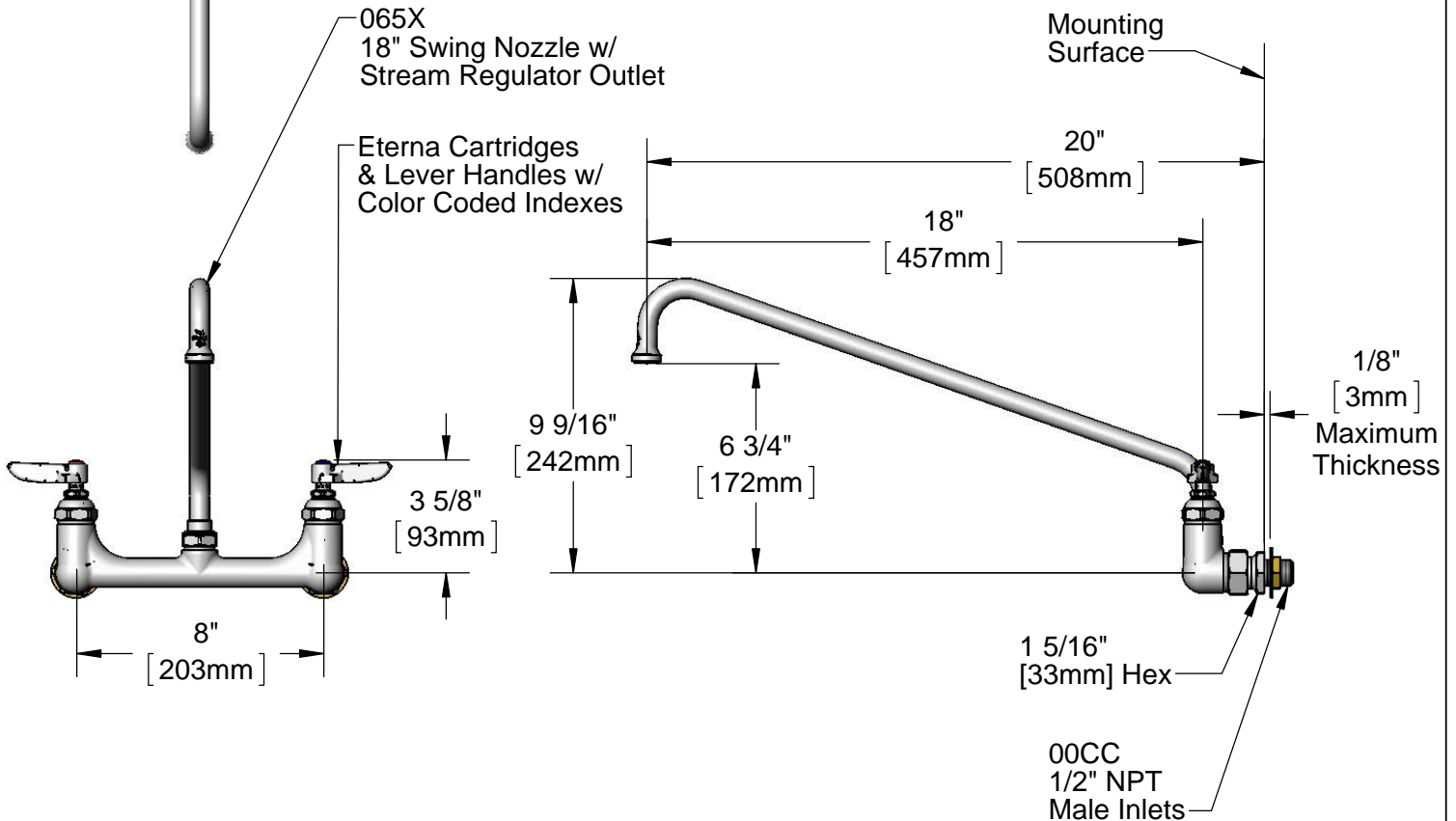
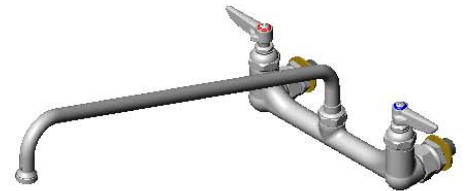
Job Name _____ Date _____

Model Specified _____ Quantity _____

Customer/Wholesaler _____

Contractor _____

Architect/Engineer _____



Rough-In Requirement:
(2) ϕ 1" [25mm] Mounting Holes

Product Specifications:
8" Wall Mount Mixing Faucet, Eterna Cartridges, Lever Handles, 18" Swing Nozzle w/ Stream Regulator Outlet & 1/2" NPT Male Inlets

Product Compliance:
ASME A112.18.1 / CSA B125.1
NSF 61 - Section 9
NSF 372 (Low Lead Content)
ANSI A117.1 (ADA)



T&S BRASS AND BRONZE WORKS, INC.

2 Saddleback Cove / P.O. Box 1088
Travelers Rest, SC 29690

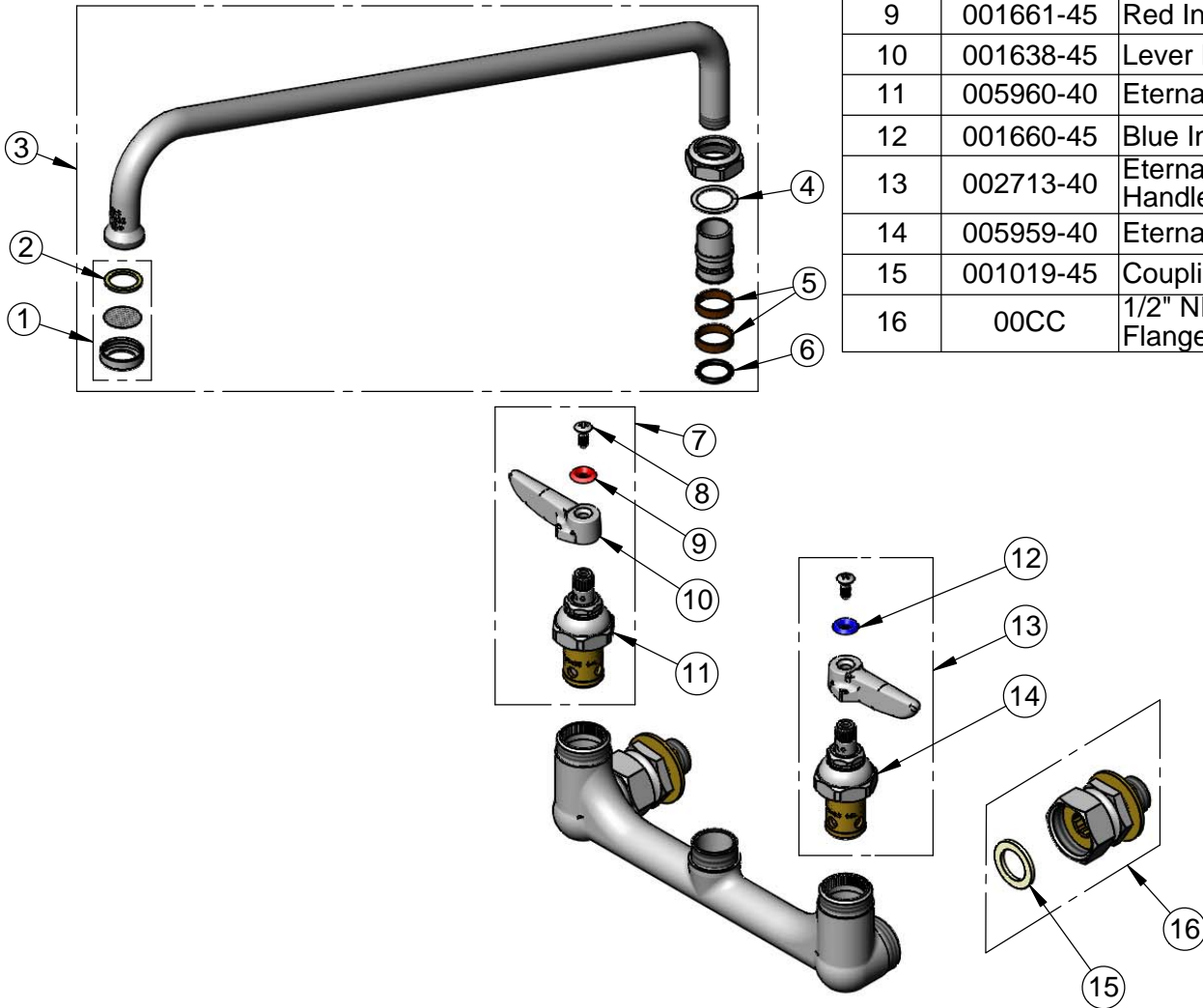
Model No.

B-0230-CC

Item No.

Travelers Rest, SC: 800-476-4103 • Simi Valley, CA: 800-423-0150 • Fax: 864-834-3518 • www.tsbrass.com

ITEM NO.	SALES NO.	DESCRIPTION
1	B-PT	Stream Regulator Outlet
2	001048-45	Nozzle Tip Washer
3	065X	18" Swing Nozzle
4	009538-45	Swivel Washer
5	011429-45	Swivel Sleeves (2)
6	001074-45	O-Ring
7	002714-40	Eterna Cartridge, RTC w/ Handle, Index & Screw
8	000922-45	Lever Handle Screw
9	001661-45	Red Index-HW
10	001638-45	Lever Handle
11	005960-40	Eterna Cartridge, RTC
12	001660-45	Blue Index-CW
13	002713-40	Eterna Cartridge, LTC w/ Handle, Index & Screw
14	005959-40	Eterna Cartridge, LTC
15	001019-45	Coupling Nut Washer
16	00CC	1/2" NPT Male Inlet Flange

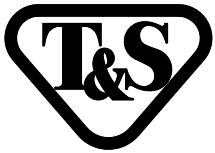


Product Specifications:

8" Wall Mount Mixing Faucet, Eterna Cartridges, Lever Handles, 18" Swing Nozzle w/ Stream Regulator Outlet & 1/2" NPT Male Inlets

Product Compliance:

ASME A112.18.1 / CSA B125.1
NSF 61 - Section 9
NSF 372 (Low Lead Content)
ANSI A117.1 (ADA)



T&S BRASS AND BRONZE WORKS, INC.

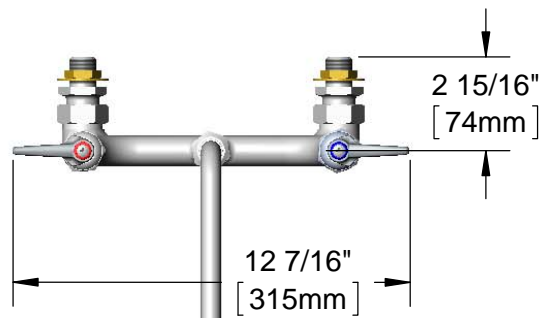
2 Saddleback Cove / P.O. Box 1088
Travelers Rest, SC 29690

Model No.

B-0230-CC-CR

Item No.

Travelers Rest, SC: 800-476-4103 • Simi Valley, CA: 800-423-0150 • Fax: 864-834-3518 • www.tsbrass.com



This Space for Architect/Engineer Approval

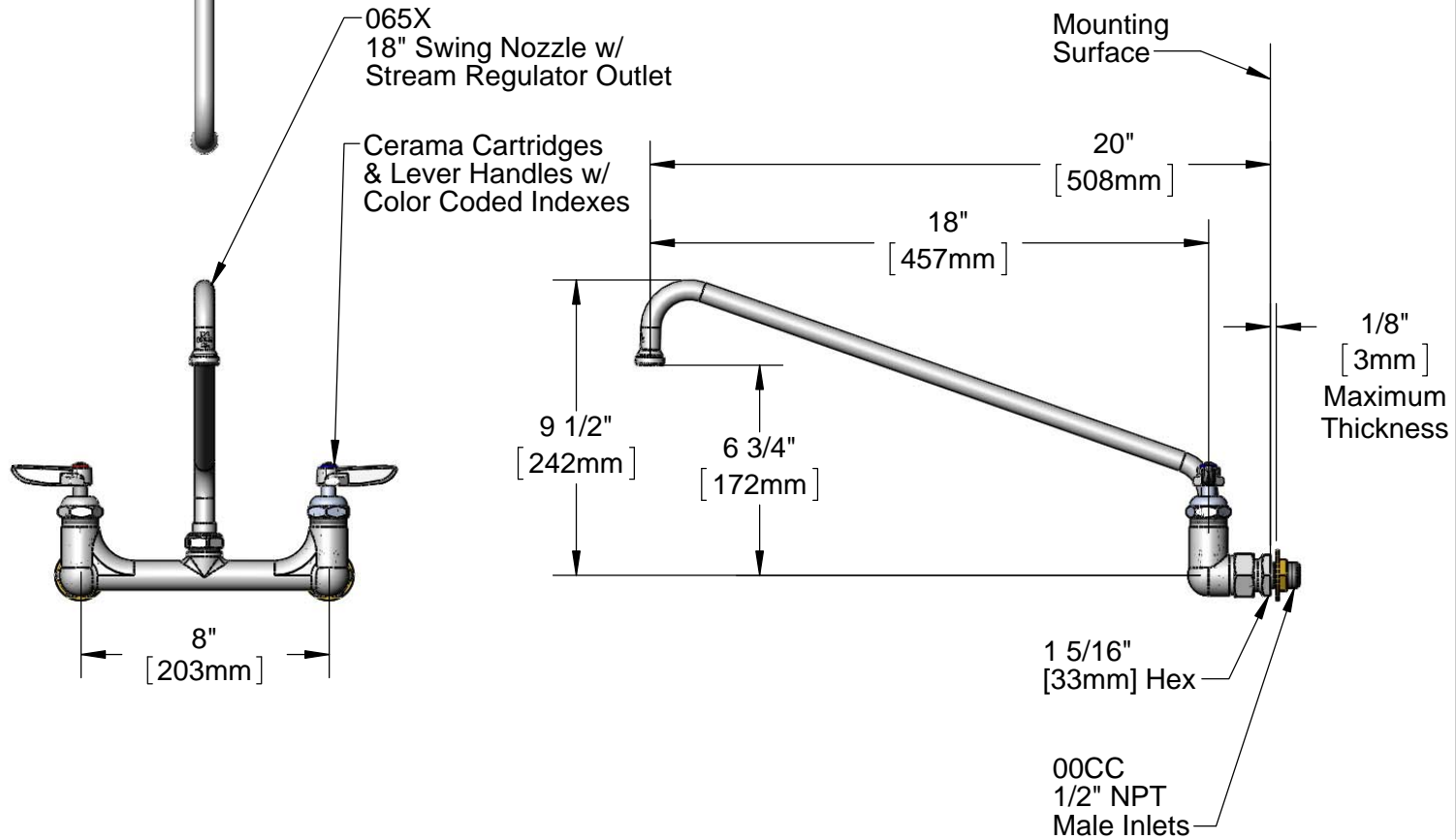
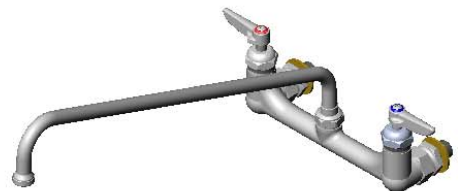
Job Name _____ Date _____

Model Specified _____ Quantity _____

Customer/Wholesaler _____

Contractor _____

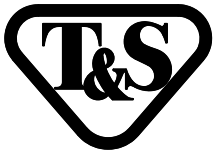
Architect/Engineer _____



Rough-In Requirement:
(2) ϕ 1" [25mm] Mounting Holes

Product Specifications:
8" Wall Mount Mixing Faucet w/ Cerama Cartridges,
Lever Handles, 18" Swing Nozzle w/ Stream Regulator
Outlet & 1/2" NPT "CC" Male Inlets

Drawn KJG	Checked DHL	Approved JHB
Scale: 1:6		Date: 11/01/12



T&S BRASS AND BRONZE WORKS, INC.

2 Saddleback Cove / P.O. Box 1088
Travelers Rest, SC 29690

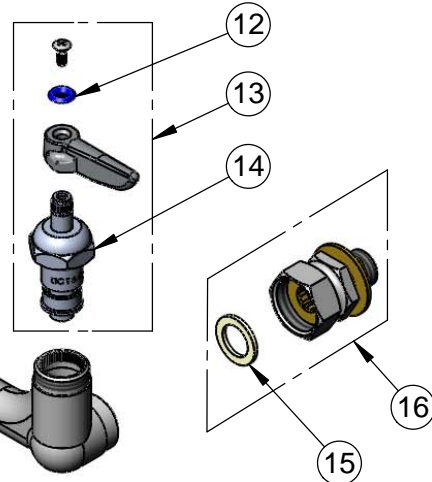
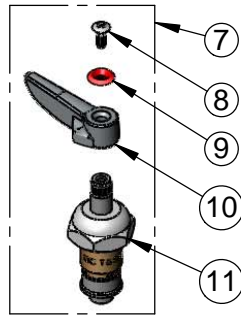
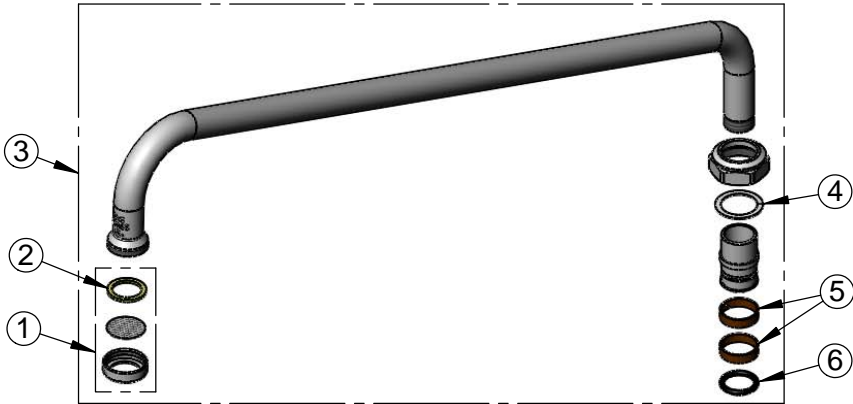
Model No.

B-0230-CC-CR

Item No.

Travelers Rest, SC: 800-476-4103 • Simi Valley, CA: 800-423-0150 • Fax: 864-834-3518 • www.tsbrass.com

ITEM NO.	SALES NO.	DESCRIPTION
1	B-PT	Stream Regulator Outlet
2	001048-45	Nozzle Tip Washer
3	065X	18" Swing Nozzle
4	009538-45	Swivel Washer
5	011429-45	Swivel Sleeves (2)
6	001074-45	O-Ring
7	012444-25	Cerama Cartridge, RTC w/ Handle, Index & Screw
8	000922-45	Lever Handle Screw
9	001661-45	Red Index-HW
10	001638-45	Lever Handle
11	011278-25	Cerama Cartridge, RTC w/ Bonnet
12	001660-45	Blue Index-CW
13	012445-25	Cerama Cartridge, LTC w/ Handle, Index & Screw
14	011279-25	Cerama Cartridge, LTC w/ Bonnet
15	001019-45	Coupling Nut Washer
16	00CC	1/2" NPT Male Inlet Flange



Product Specifications:

8" Wall Mount Mixing Faucet w/ Cerama Cartridges, Lever Handles, 18" Swing Nozzle w/ Stream Regulator Outlet & 1/2" NPT "CC" Male Inlets

Drawn

KJG

Checked

DHL

Approved

JHB

Scale:

NTS

Date:

11/01/12



T&S BRASS AND BRONZE WORKS, INC.
 2 SADDLEBACK COVE / P.O. BOX 1088 / TRAVELERS REST, SC 29690
 PHONE 800-476-4103 - FAX 864- 834-3518



Model No.

B-0230-EE

RELIABILITY
BUILT IN

REG.#A2601
ISO #9001

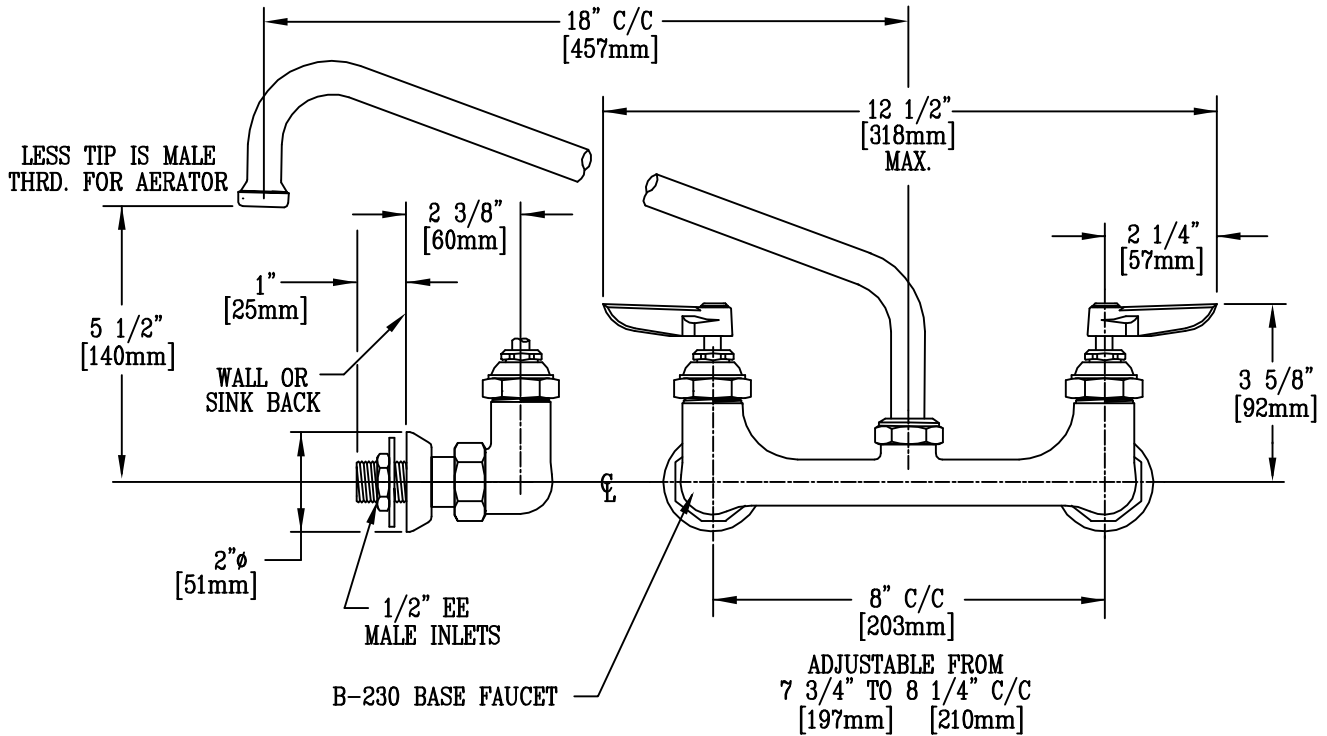
Job Name:

Architect/Engineer Approval:

Notes:



ADA COMPLIANT



NOTES :

1. ALSO AVAILABLE WITH B-WH-4" OR B-WH-6" WRIST ACTION BLADE HANDLES.
2. ALSO AVAILABLE WITH MODEL #B-SD SOAP DISH
3. NOZZLE SWINGS 360°
4. ALSO AVAILABLE WITH B-199-1 NON-SPLASH AERATOR.

Product Description:

8" c/c WALL MOUNT MIXING FAUCET WITH
 18" SWING NOZZLE & 1/2" MALE "EE" INLETS

Drawn:

MCW

Checked

SCM

Scale:

1 : 4

Approved

CA

Date:

7/28/95