



# T&S BRASS AND BRONZE WORKS, INC.

2 Saddleback Cove / P.O. Box 1088  
Travelers Rest, SC 29690

Model No.

**B-0228**

Item No.

Travelers Rest, SC: 800-476-4103 • Simi Valley, CA: 800-423-0150 • Fax: 864-834-3518 • www.tsbrass.com

This Space for Architect/Engineer Approval

Job Name \_\_\_\_\_ Date \_\_\_\_\_

Model Specified \_\_\_\_\_ Quantity \_\_\_\_\_

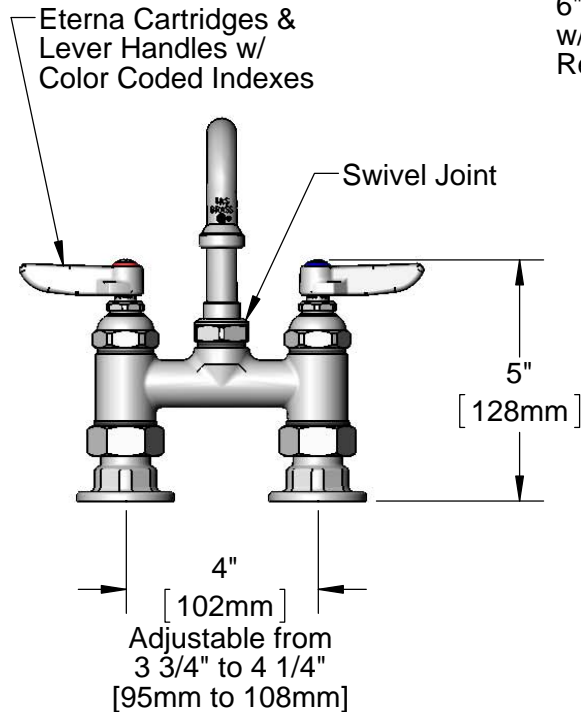
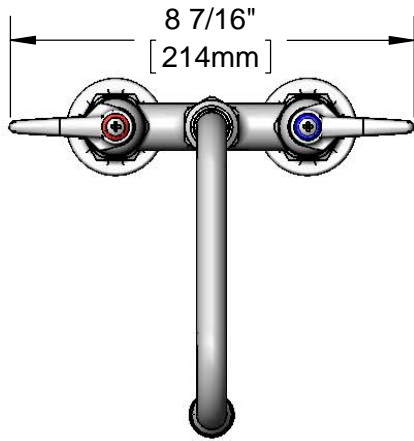
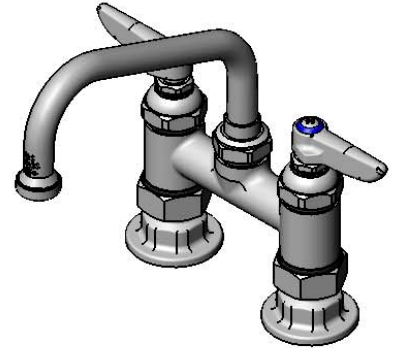
Customer/Wholesaler \_\_\_\_\_

Contractor \_\_\_\_\_

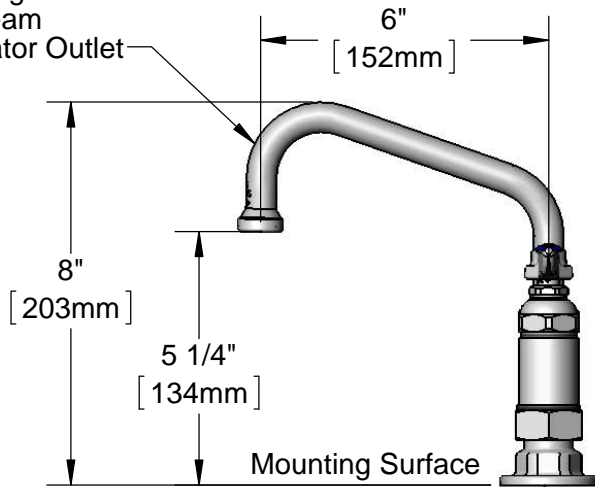
Architect/Engineer \_\_\_\_\_



**ADA Compliant**



059X  
6" Swing Nozzle  
w/ Stream  
Regulator Outlet



Ø 2" [51mm]  
Flanges w/  
1/2" NPT  
Female Inlets

**Product Specifications:**

4" Deck Mount Mixing Faucet, Eterna Cartridges, Lever Handles,  
6" Swing Nozzle & 1/2" NPT Female Inlets

**Product Compliance:**

ASME A112.18.1 / CSA B125.1  
NSF 61 - Section 9  
NSF 372 (Low Lead Content)  
ANSI A117.1 (ADA)



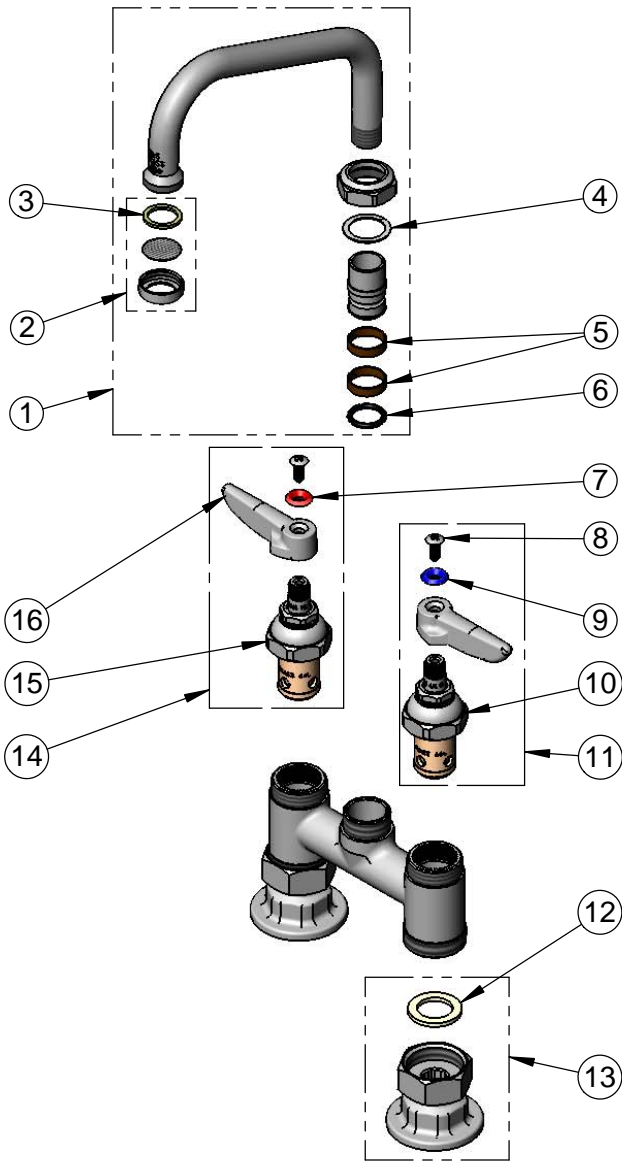
**T&S BRASS AND BRONZE WORKS, INC.**  
 2 Saddleback Cove / P.O. Box 1088  
 Travelers Rest, SC 29690

Model No.  
**B-0228**

Item No.

Travelers Rest, SC: 800-476-4103 • Simi Valley, CA: 800-423-0150 • Fax: 864-834-3518 • www.tsbrass.com

ITEM NO.	SALES NO.	DESCRIPTION
1	059X	6" Swing Nozzle
2	B-PT	Stream Regulator Outlet
3	001048-45	Nozzle Tip Washer
4	009538-45	Swivel Washer
5	011429-45	Swivel Sleeves (2)
6	001074-45	O-Ring
7	001661-45	Red Index-HW
8	000922-45	Lever Handle Screw
9	001660-45	Blue Index-CW
10	005959-40	Eterna Cartridge, LTC
11	002713-40	Eterna Cartridge, LTC w/ Handle, Index & Screw
12	001019-45	Coupling Nut Washer
13	00AA	1/2" NPT Female Eccentric Flange
14	002714-40	Eterna Cartridge, RTC w/ Handle, Index & Screw
15	005960-40	Eterna Cartridge, RTC
16	001638-45	Lever Handle



Product Specifications:  
 4" Deck Mount Mixing Faucet, Eterna Cartridges, Lever Handles,  
 6" Swing Nozzle & 1/2" NPT Female Inlets

Product Compliance:  
 ASME A112.18.1 / CSA B125.1  
 NSF 61 - Section 9  
 NSF 372 (Low Lead Content)  
 ANSI A117.1 (ADA)



# T&S BRASS AND BRONZE WORKS, INC.

2 Saddleback Cove / P.O. Box 1088  
Travelers Rest, SC 29690

Model No.

**B-0228-CR**

Item No.

Travelers Rest, SC: 800-476-4103 • Simi Valley, CA: 800-423-0150 • Fax: 864-834-3518 • www.tsbrass.com

This Space for Architect/Engineer Approval

Job Name \_\_\_\_\_ Date \_\_\_\_\_

Model Specified \_\_\_\_\_ Quantity \_\_\_\_\_

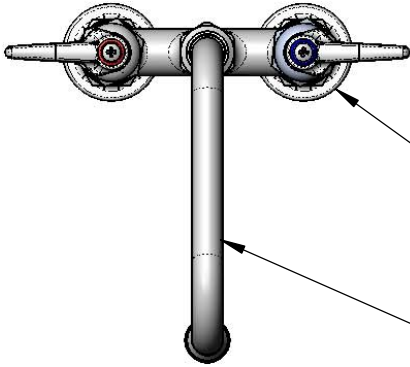
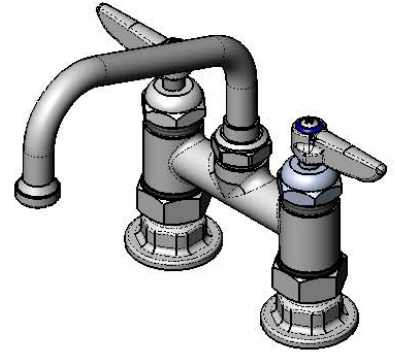
Customer/Wholesaler \_\_\_\_\_

Contractor \_\_\_\_\_

Architect/Engineer \_\_\_\_\_



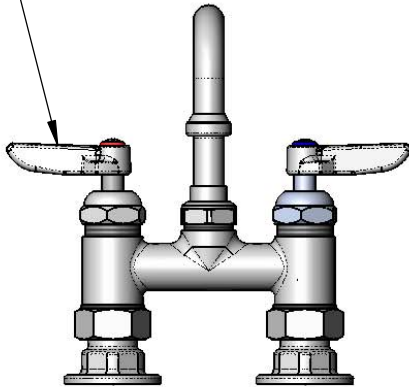
**ADA Compliant**



Ø 2" [51mm]  
Flanges w/  
1/2" NPT  
Female Inlets

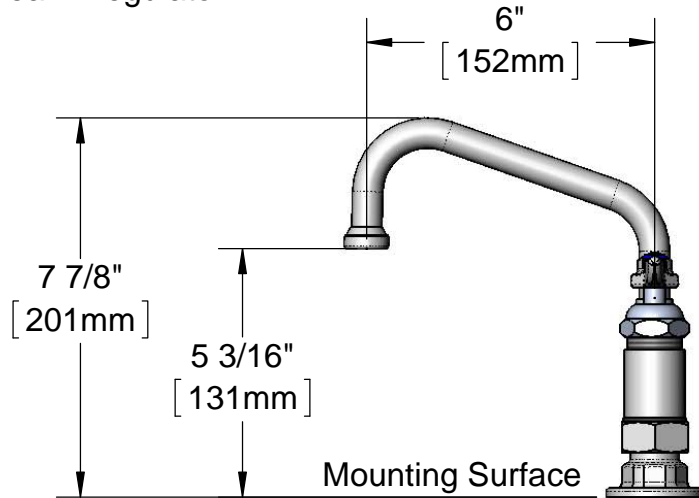
059X  
6" Swing Nozzle w/  
B-PT  
Stream Regulator

Cerama Cartridges &  
Lever Handles w/  
Color Coded Indexes



4"  
[102mm]

Adjustable from  
3 3/4" to 4 1/4"  
[95mm to 108mm]



**Product Specifications:**

4" c/c Deck Mount Mixing Faucet w/ Cerama Cartridges,  
6" Swing Nozzle, Lever Handles & 1/2" NPT Female Inlets

Drawn

**KJG**

Checked

**GEF**

Approved

**JHB**

Scale:

**1:4**

Date:

**03/16/12**



# T&S BRASS AND BRONZE WORKS, INC.

2 Saddleback Cove / P.O. Box 1088  
Travelers Rest, SC 29690

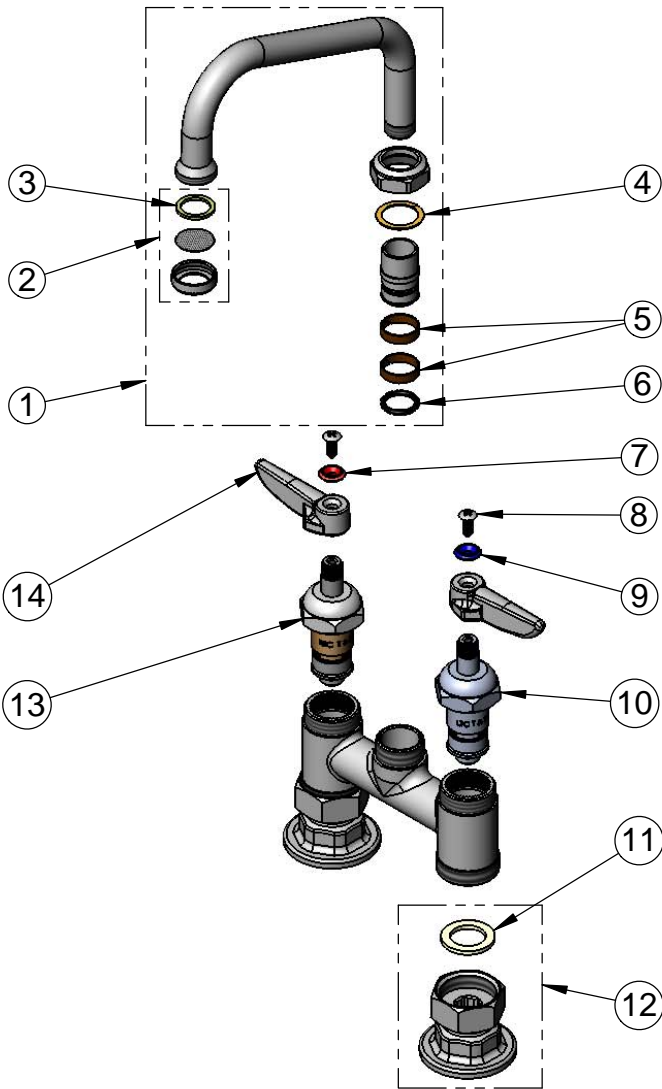
Model No.

**B-0228-CR**

Item No.

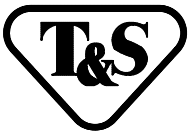
Travelers Rest, SC: 800-476-4103 • Simi Valley, CA: 800-423-0150 • Fax: 864-834-3518 • www.tsbrass.com

ITEM NO.	SALES NO.	DESCRIPTION
1	059X	6" Swing Nozzle
2	B-PT	Stream Regulator
3	001048-45	Nozzle Tip Washer
4	009538-45	Swivel Washer
5	011429-45	Swivel Sleeves (2)
6	001074-45	O-Ring
7	001661-45	Red Index-HW
8	000922-45	Lever Handle Screw
9	001660-45	Blue Index-CW
10	011279-25	Cerama Cartridge LTC
11	001019-45	Coupling Nut Washer
12	00AA	Flange Assembly
13	011278-25	Cerama Cartridge RTC
14	001638-45	Lever Handle



Product Specifications:  
4" c/c Deck Mount Mixing Faucet w/ Cerama Cartridges,  
6" Swing Nozzle, Lever Handles & 1/2" NPT Female Inlets

Drawn <b>KJG</b>	Checked <b>GEF</b>	Approved <b>JHB</b>
Scale: <b>NTS</b>		Date: <b>03/16/12</b>



T&S BRASS AND BRONZE WORKS, INC.

2 SADDLEBACK COVE / P.O. BOX 1088 / TRAVELERS REST, SC 29690

PHONE 800-476-4103

FAX 864-834-3518



REG.#A2601  
ISO #9002

Model No.

B-2283

Item No.:

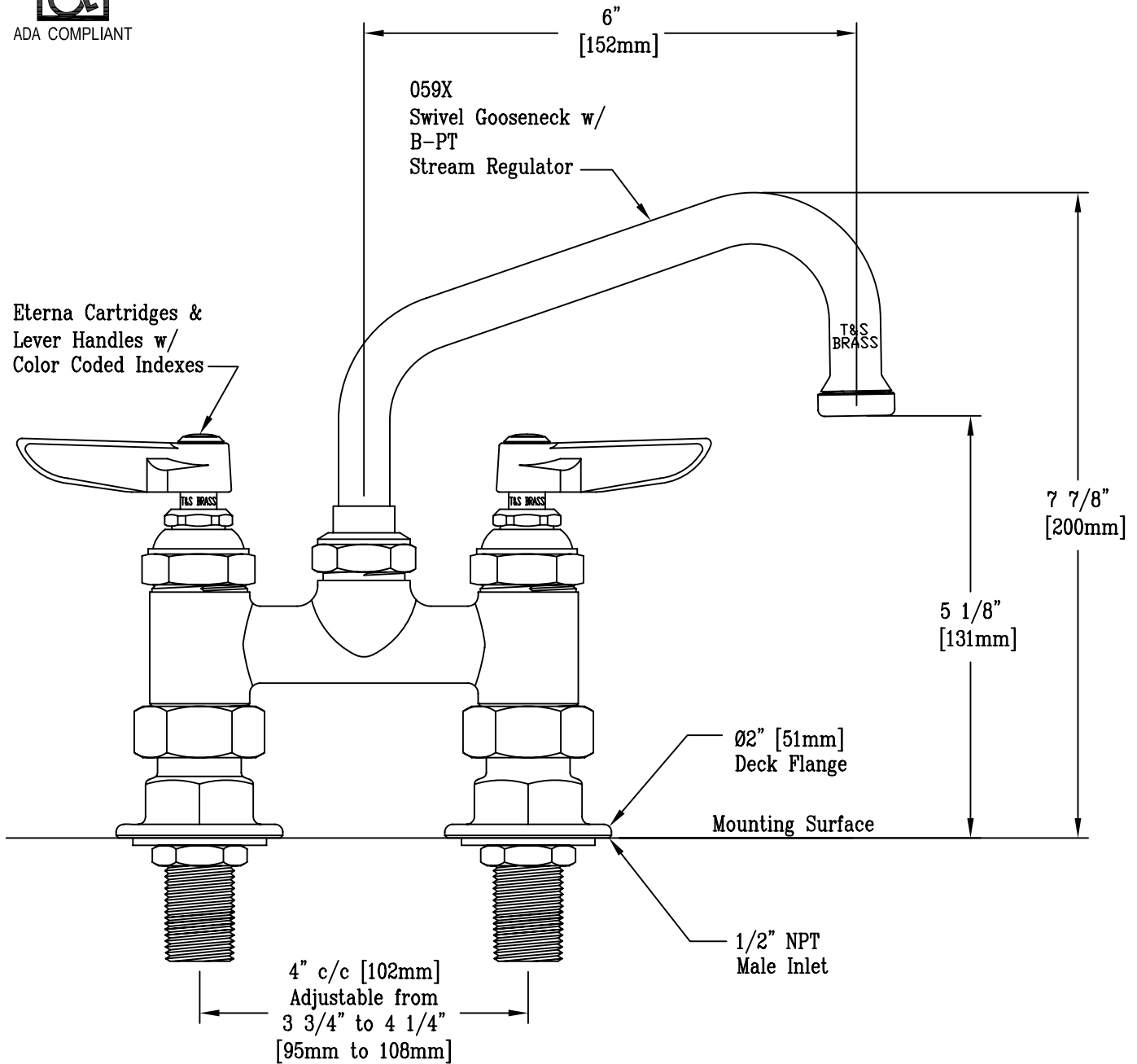
Job Name:

Architect/Engineer Approval:

Notes:



ADA COMPLIANT



Product Description:  
Sink Faucet w/ 6" Swing Nozzle,  
4" Adjustable Inlet Centers, Lever  
Handles, & 1/2" NPT Male Inlets

Drawn:

DHL

Checked

KJG

Scale:

1:2

Approved

JHB

Date:

08/31/09



# T&S BRASS AND BRONZE WORKS, INC.

2 Saddleback Cove / P.O. Box 1088  
Travelers Rest, SC 29690

Model No.

**B-2283-CR**

Item No.

Travelers Rest, SC: 800-476-4103 • Simi Valley, CA: 800-423-0150 • Fax: 864-834-3518 • www.tsbrass.com



**ADA Compliant**

This Space for Architect/Engineer Approval

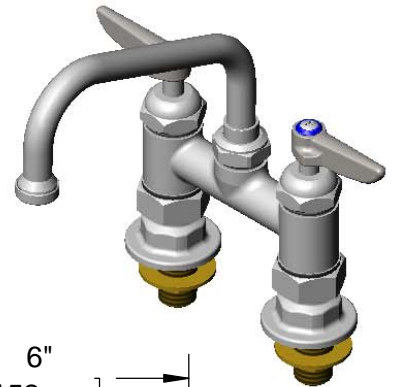
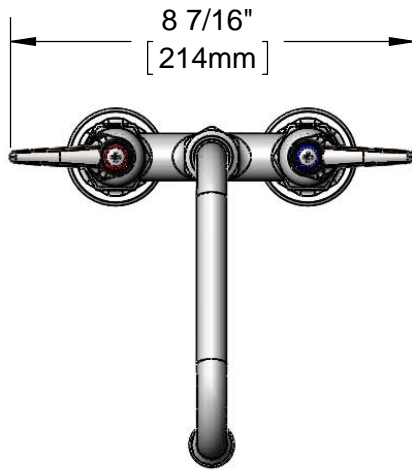
Job Name \_\_\_\_\_ Date \_\_\_\_\_

Model Specified \_\_\_\_\_ Quantity \_\_\_\_\_

Customer/Wholesaler \_\_\_\_\_

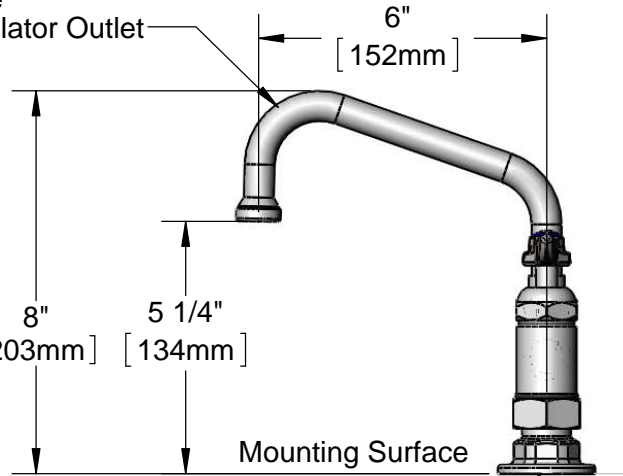
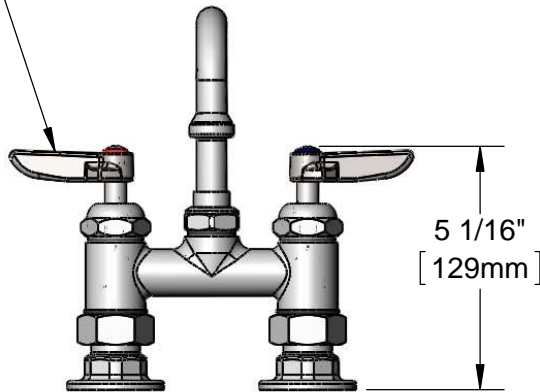
Contractor \_\_\_\_\_

Architect/Engineer \_\_\_\_\_



Cerama Cartridges & Lever Handles w/ Color Coded Indexes

6" Swing Nozzle w/ Stream Regulator Outlet



Adjustable from 3 3/4" to 4 1/4" [95mm to 108mm]

Mounting Surface

Ø 2" [51mm] Flanges w/ 1/2" NPT Female Inlets



B-0425-M  
1/2" NPT  
Supply Nipple Kit (2)  
(Included)

**Product Specifications:**

4" Deck Mount Mixing Faucet, Cerama Cartridges, Lever Handles, 6" Swing Nozzle & 1/2" NPT Female Inlets w/ 1/2" Supply Nipple Kits

Drawn

DHL

Checked

DMH

Approved

JHB

Scale:

1:4

Date:

05/22/13



# T&S BRASS AND BRONZE WORKS, INC.

2 Saddleback Cove / P.O. Box 1088  
Travelers Rest, SC 29690

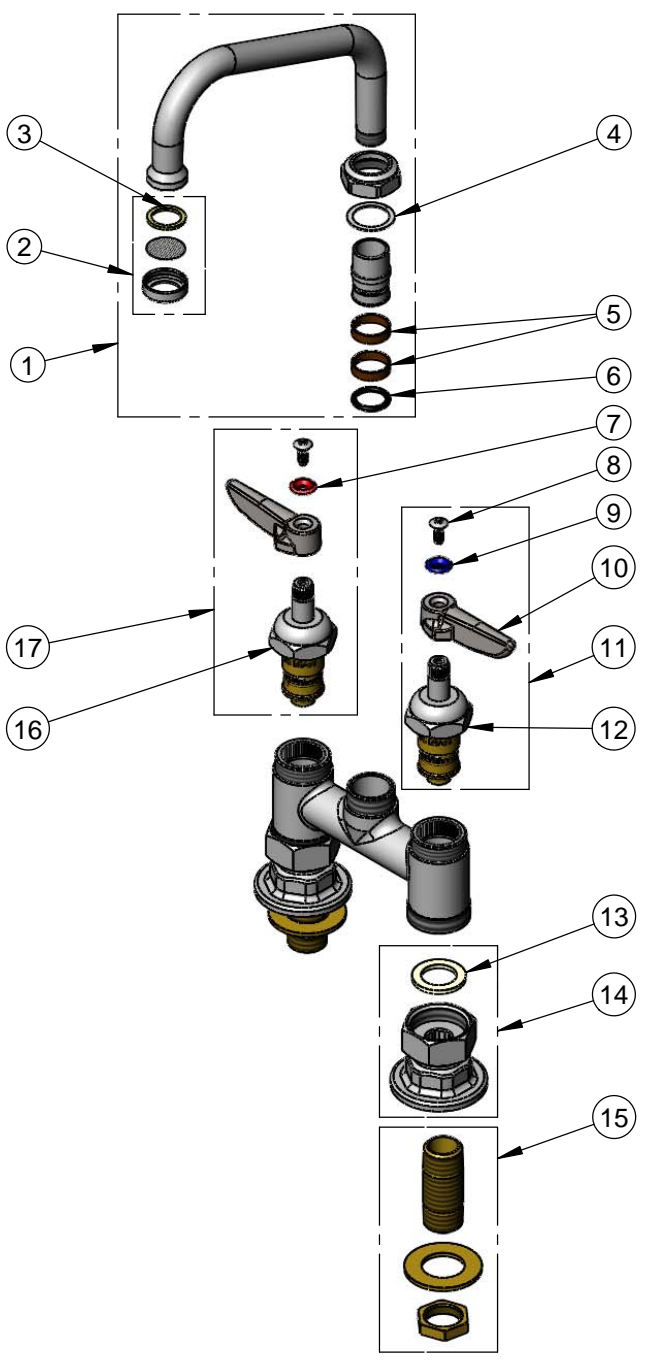
B-PT Index Ring Asm

Model No.  
**B-2283-CR**

Item No.

Travelers Rest, SC: 800-476-4103 • Simi Valley, CA: 800-423-0150 • Fax: 864-834-3518 • www.tsbrass.com

ITEM NO.	SALES NO.	DESCRIPTION
1	059X	6" Swing Nozzle w/ Stream Regulator Outlet
2	B-PT	Stream Regulator Outlet
3	001048-45	Nozzle Tip Washer
4	009538-45	Swivel Washer
5	011429-45	Swivel Sleeves (2)
6	001074-45	O-Ring
7	001661-45	Red Index-HW
8	000922-45	Lever Handle Screw
9	001660-45	Blue Index-CW
10	001638-45	Lever Handle
11	012445-25	Cerama Cartridge, LTC w/ Handle, Index & Screw
12	011279-25	Cerama Cartridge, LTC
13	001019-45	Coupling Nut Washer
14	00AA	1/2" NPT Female Eccentric Flange
15	B-0425-M	1/2" NPT Supply Nipple Kit (2)
16	011278-25	Cerama Cartridge, RTC
17	012444-25	Cerama Cartridge, RTC w/ Handle, Index & Screw



Product Specifications:  
4" Deck Mount Mixing Faucet, Cerama Cartridges, Lever Handles,  
6" Swing Nozzle & 1/2" NPT Female Inlets w/ 1/2" Supply Nipple Kits

Drawn <b>DHL</b>	Checked <b>DMH</b>	Approved <b>JHB</b>
Scale: <b>NTS</b>		Date: <b>05/22/13</b>





T&S BRASS AND BRONZE WORKS, INC.  
 2 SADDLEBACK COVE / P.O. BOX 1088 / TRAVELERS REST, SC 29690  
 PHONE 800-476-4103 FAX 864- 834-3518



Model No.

B-2245

Item No.:

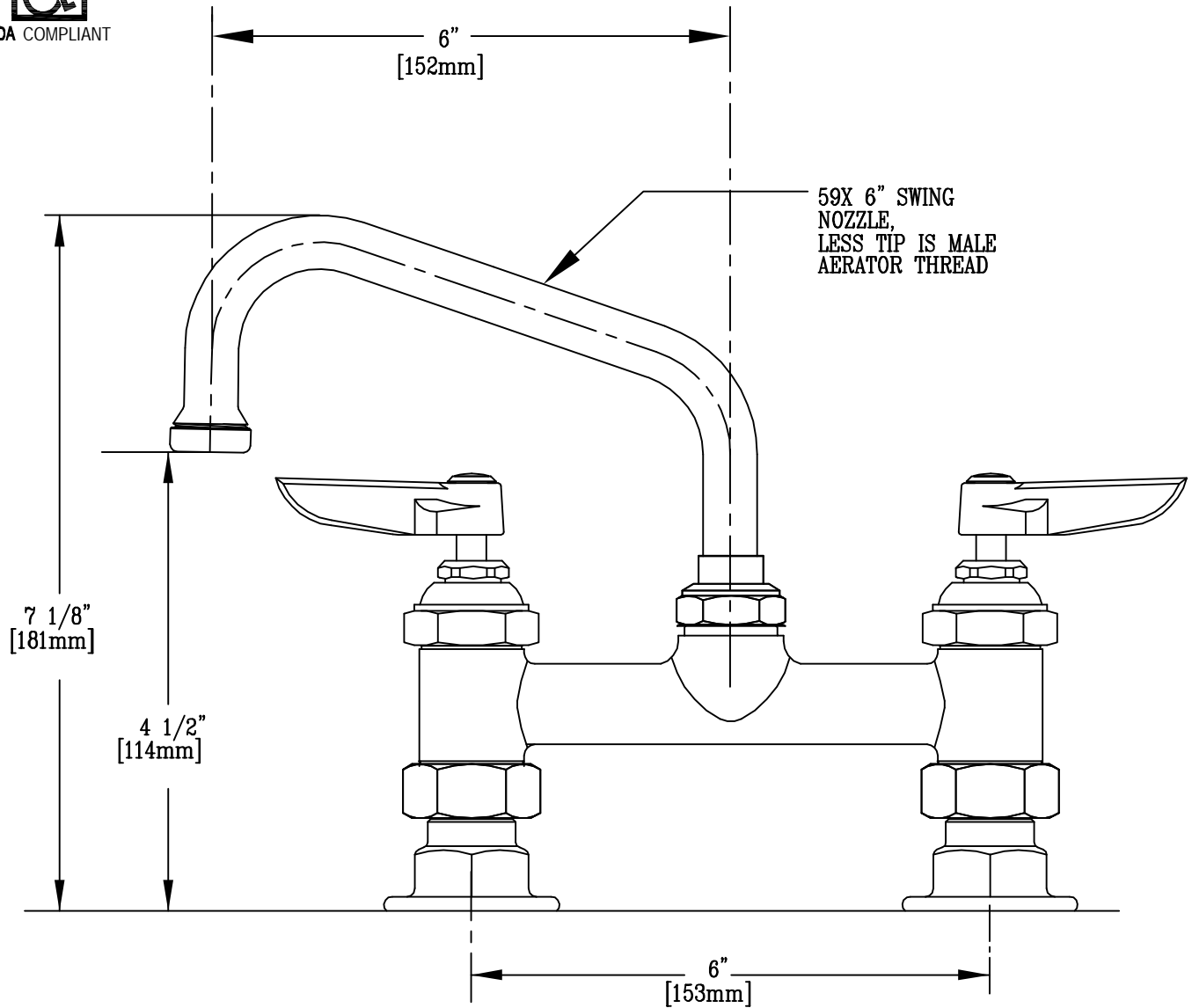
Job Name:

Architect/Engineer Approval:

Notes:



ADA COMPLIANT



Product Description:  
 6" C/C SWIVEL BASE FCT. WITH 59X  
 SWING NOZZLE, & 1/2" NPT INLETS

Drawn:

WJS

Checked

DMA

Scale:

1:2

Approved

MVW

Date:

3/27/98





# T&S BRASS AND BRONZE WORKS, INC.

2 Saddleback Cove / P.O. Box 1088  
Travelers Rest, SC 29690

Model No.

**B-0222**

Item No.

Travelers Rest, SC: 800-476-4103 • Simi Valley, CA: 800-423-0150 • Fax: 864-834-3518 • www.tsbrass.com



**ADA Compliant**

This Space for Architect/Engineer Approval

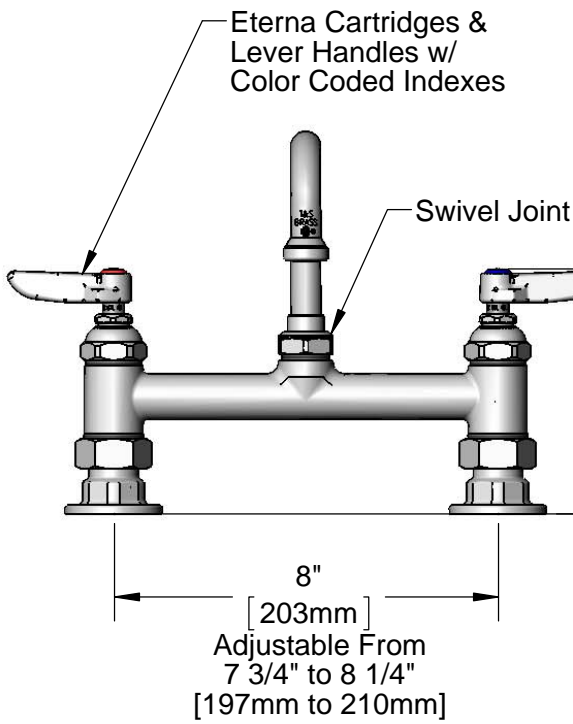
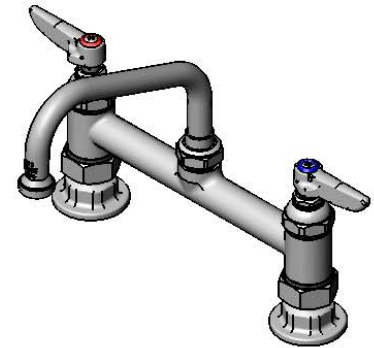
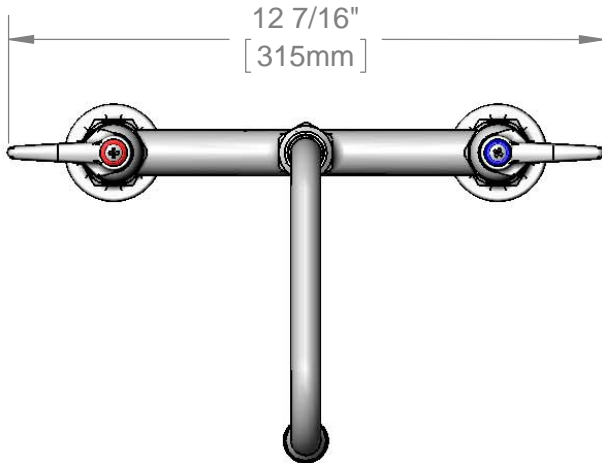
Job Name \_\_\_\_\_ Date \_\_\_\_\_

Model Specified \_\_\_\_\_ Quantity \_\_\_\_\_

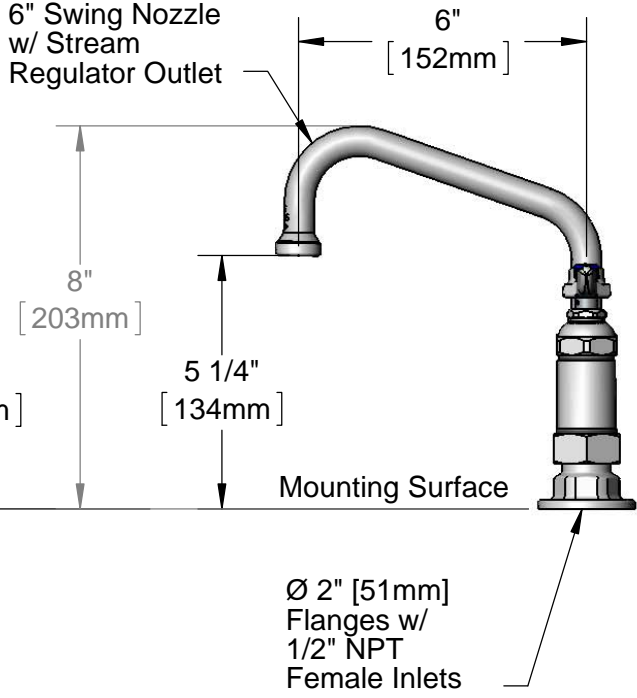
Customer/Wholesaler \_\_\_\_\_

Contractor \_\_\_\_\_

Architect/Engineer \_\_\_\_\_



059X  
6" Swing Nozzle  
w/ Stream  
Regulator Outlet



**Product Specifications:**

8" Deck Mount Mixing Faucet, Eterna Cartridges, Lever Handles, 6" Swing Nozzle & 1/2" NPT Female Inlets

**Product Compliance:**

ASME A112.18.1 / CSA B125.1  
NSF 61 - Section 9  
NSF 372 (Low Lead Content)  
ANSI A117.1 (ADA)



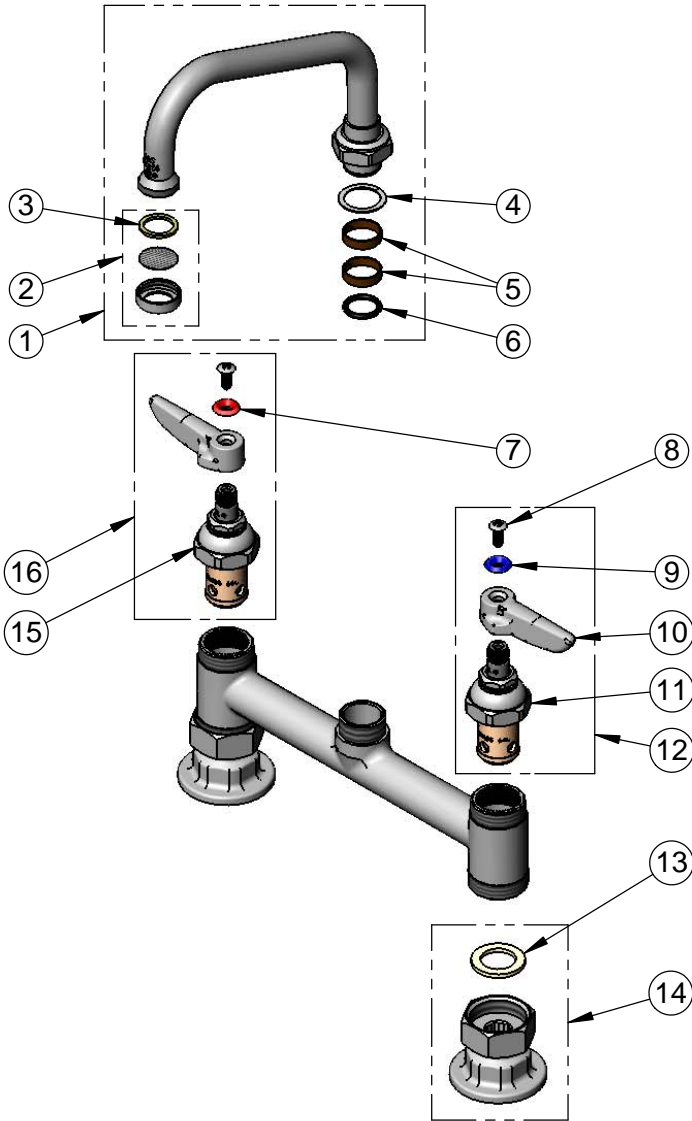
**T&S BRASS AND BRONZE WORKS, INC.**  
 2 Saddleback Cove / P.O. Box 1088  
 Travelers Rest, SC 29690

Model No.  
**B-0222**

Item No.

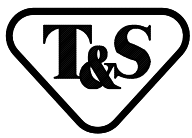
Travelers Rest, SC: 800-476-4103 • Simi Valley, CA: 800-423-0150 • Fax: 864-834-3518 • www.tsbrass.com

ITEM NO.	SALES NO.	DESCRIPTION
1	059X	6" Swing Nozzle
2	B-PT	Stream Regulator Outlet
3	001048-45	Nozzle Tip Washer
4	009538-45	Swivel Washer
5	011429-45	Swivel Sleeves (2)
6	001074-45	O-Ring
7	001661-45	Red Index-HW
8	000922-45	Lever Handle Screw
9	001660-45	Blue Index-CW
10	001638-45	Lever Handle
11	005959-40	Eterna Cartridge, LTC
12	002713-40	Eterna Cartridge, LTC w/ Handle, Index & Screw
13	001019-45	Coupling Nut Washer
14	00AA	1/2" NPT Female Eccentric Flange
15	005960-40	Eterna Cartridge, RTC
16	002714-40	Eterna Cartridge, RTC w/ Handle, Index & Screw



Product Specifications:  
 8" Deck Mount Mixing Faucet, Eterna Cartridges, Lever Handles,  
 6" Swing Nozzle & 1/2" NPT Female Inlets

Product Compliance:  
 ASME A112.18.1 / CSA B125.1  
 NSF 61 - Section 9  
 NSF 372 (Low Lead Content)  
 ANSI A117.1 (ADA)



# T&S BRASS AND BRONZE WORKS, INC.

2 SADDLEBACK COVE / P.O. BOX 1088 / TRAVELERS REST, SC 29690

PHONE 800-476-4103

FAX 803- 834-3518

Model No.

B-0222-CC

Item No.:

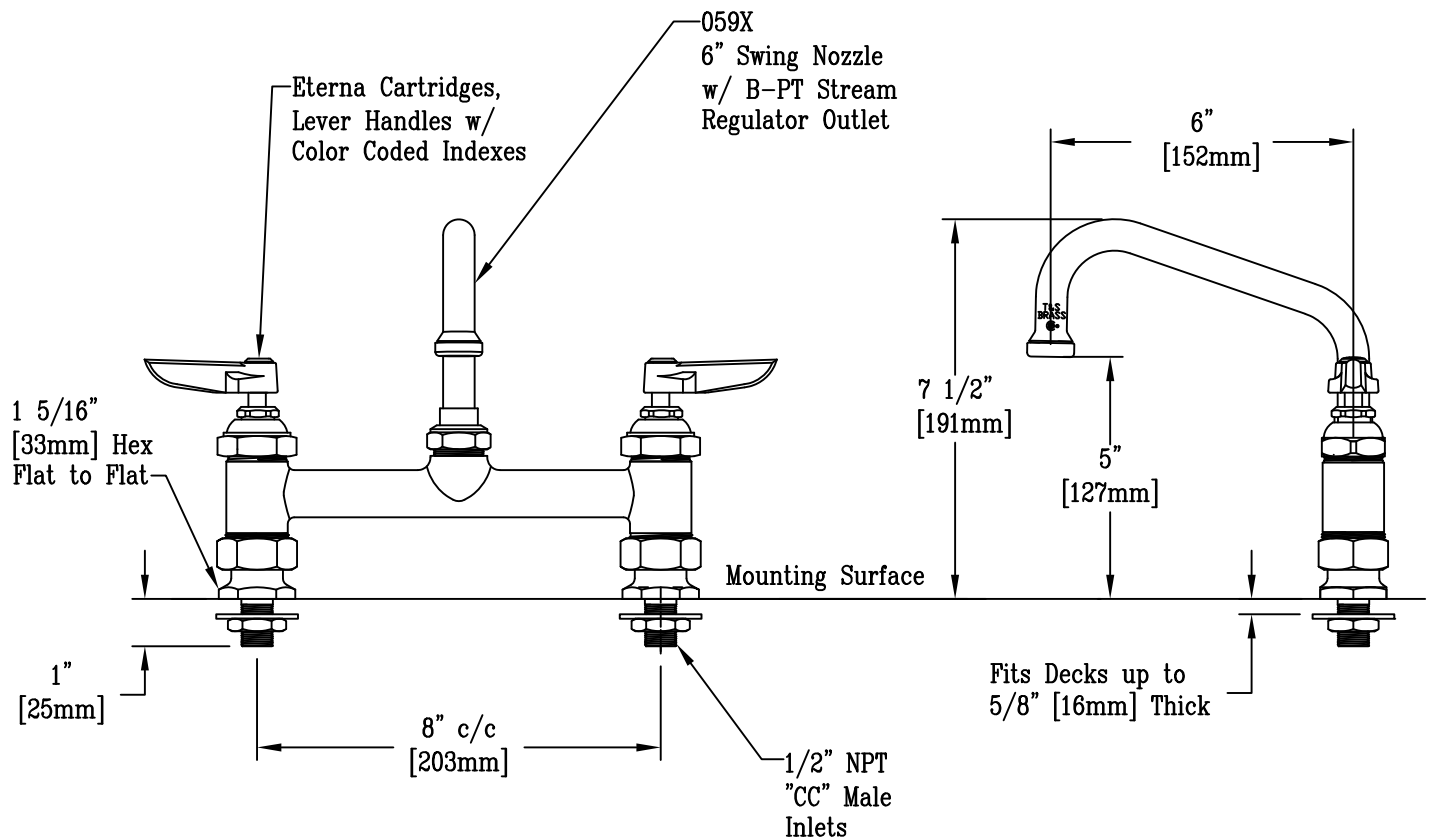
Job Name:

Architect/Engineer Approval:

Notes:



ADA COMPLIANT



Note: Rough-In Requirement  
(2)  $\phi$ 1" [25mm] Mounting Holes

Product Description:

8" c/c Deck Mount Faucet w/ Eterna Cartridges, 6" Swing Nozzle, Lever Handles, Stream Regulator Outlet, & 1/2" NPT "CC" Male Inlets

Drawn:

KJG

Checked

JRM

Scale:

1 : 4

Approved

JHB

Date:

12/14/10



T&S BRASS AND BRONZE WORKS, INC.

2 SADDLEBACK COVE / P.O. BOX 1088 / TRAVELERS REST, SC 29690

(803) 834-4102 TELEX 57-0311 FAX (803) 834-3518

Model No.

B-0222-EE

Item No.:

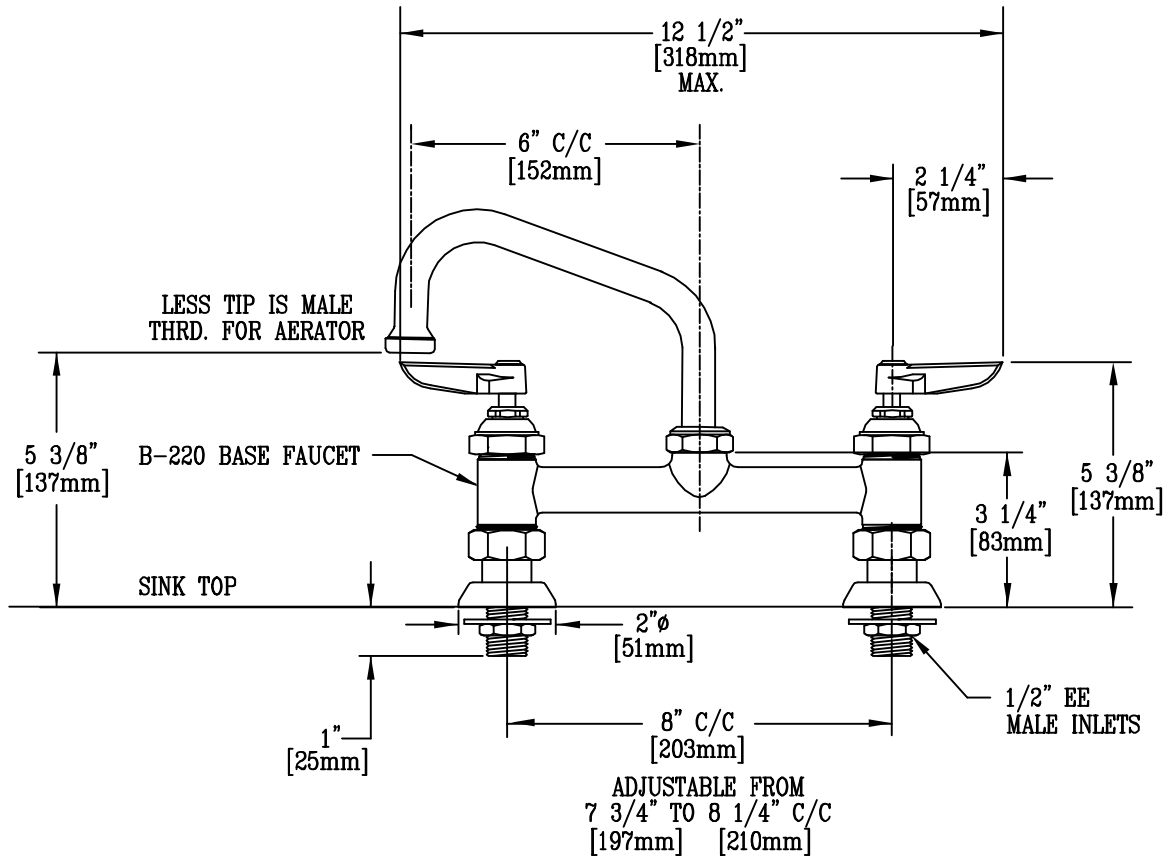
Job Name:

Architect/Engineer Approval:

Notes:



ADA COMPLIANT



**NOTES :**

1. ALSO AVAILABLE WITH B-WH-4" OR B-WH-6" WRIST ACTION BLADE HANDLES.
2. ALSO AVAILABLE WITH B-199-1 NON-SPLASH AERATOR.
3. NOZZLE SWINGS 360°.

Product Description:

FAUCET

W/ 6" SWING NOZZLE

& 1/2" EE MALE INLETS

Drawn:

MCW

Checked

SCM

Scale:

3" = 1'

Approved

CA

Date:

7/28/95