



# T&S BRASS AND BRONZE WORKS, INC.

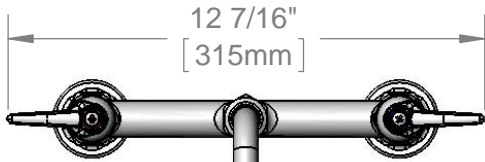
2 Saddleback Cove / P.O. Box 1088  
Travelers Rest, SC 29690

Model No.

**B-0220**

Item No.

Travelers Rest, SC: 800-476-4103 • Simi Valley, CA: 800-423-0150 • Fax: 864-834-3518 • www.tsbrass.com



12 7/16"  
[315mm]



**ADA Compliant**

This Space for Architect/Engineer Approval

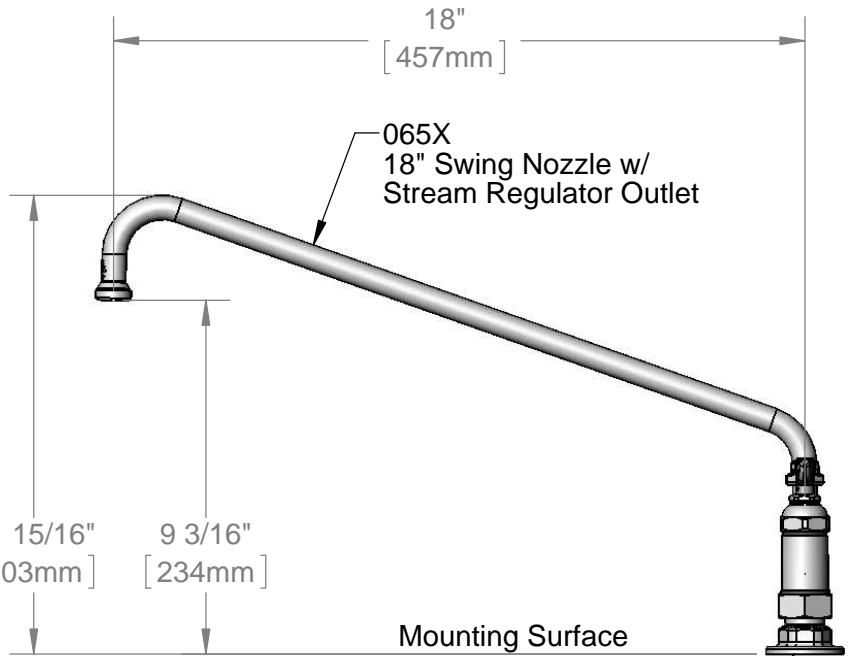
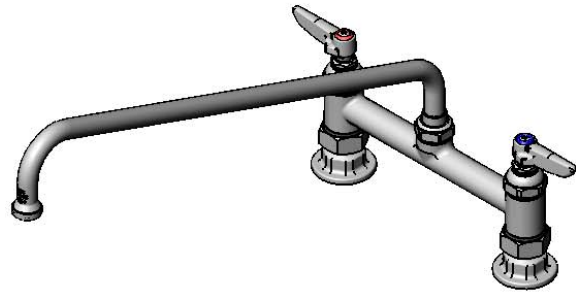
Job Name \_\_\_\_\_ Date \_\_\_\_\_

Model Specified \_\_\_\_\_ Quantity \_\_\_\_\_

Customer/Wholesaler \_\_\_\_\_

Contractor \_\_\_\_\_

Architect/Engineer \_\_\_\_\_



18"  
[457mm]

065X  
18" Swing Nozzle w/  
Stream Regulator Outlet

Swivel Joint

5 1/8"  
[130mm]

11 15/16"  
[303mm]

9 3/16"  
[234mm]

Mounting Surface

8"  
[203mm]

Adjustable From  
7 3/4" to 8 1/4"  
[197mm to 210mm]

Eterna Cartridges  
& Lever Handles  
w/ Color Coded  
Indexes

Ø 2" [51mm]  
Flanges w/  
1/2" NPT  
Female Inlets

### Product Specifications:

8" Deck Mount Mixing Faucet, Eterna Cartridges, Lever Handles,  
18" Swing Nozzle & 1/2" NPT Female Inlets

### Product Compliance:

ASME A112.18.1 / CSA B125.1  
NSF 61 - Section 9  
NSF 372 (Low Lead Content)  
ANSI A117.1 (ADA)

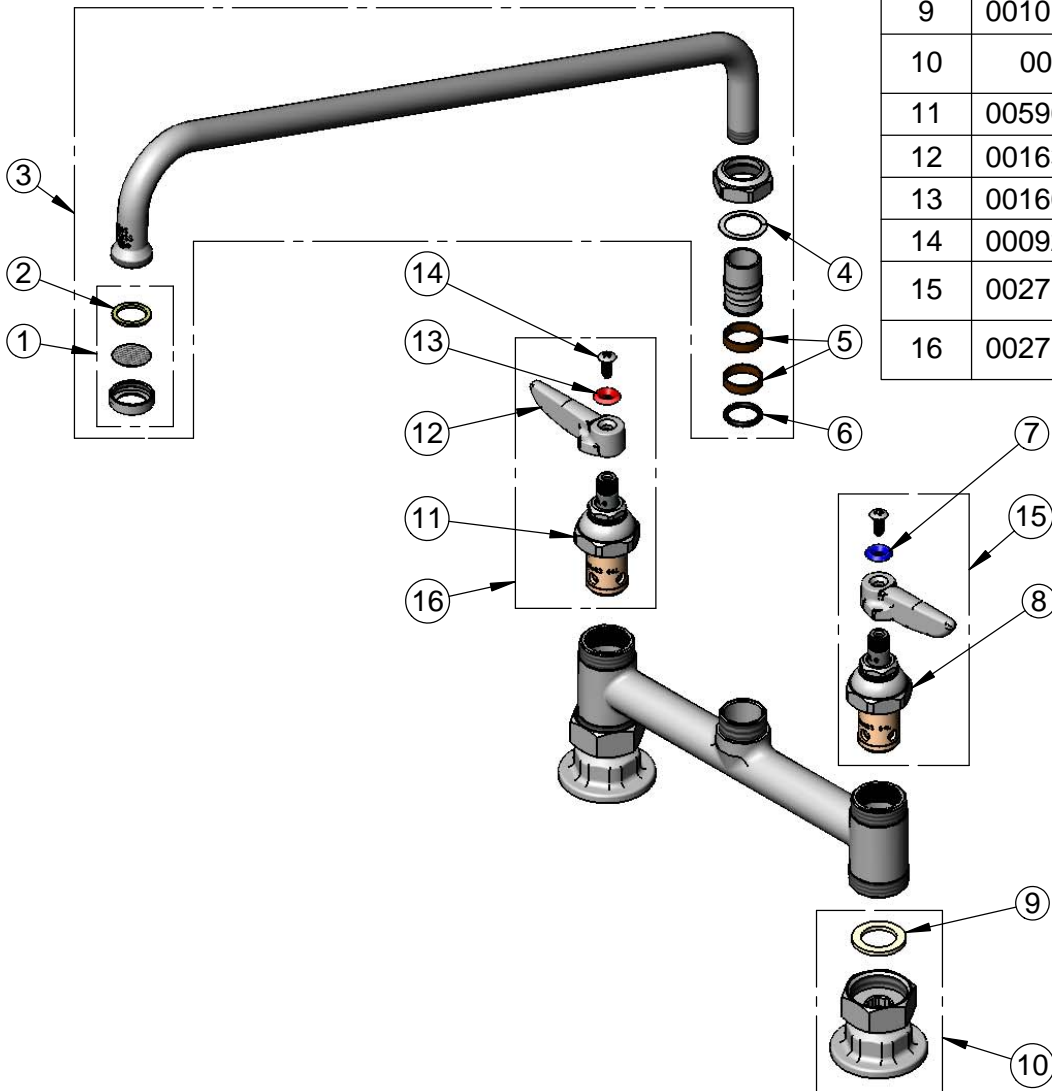


**T&S BRASS AND BRONZE WORKS, INC.**  
 2 Saddleback Cove / P.O. Box 1088  
 Travelers Rest, SC 29690

Model No.  
**B-0220**  
 Item No.

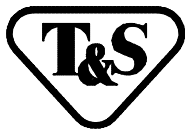
Travelers Rest, SC: 800-476-4103 • Simi Valley, CA: 800-423-0150 • Fax: 864-834-3518 • www.tsbrass.com

ITEM NO.	SALES NO.	DESCRIPTION
1	B-PT	Stream Regulator Outlet
2	001048-45	Nozzle Tip Washer
3	065X	18" Swing Nozzle
4	009538-45	Swivel Washer
5	011429-45	Swivel Sleeves (2)
6	001074-45	O-Ring
7	001660-45	Blue Index-CW
8	005959-40	Eterna Cartridge, LTC
9	001019-45	Coupling Nut Washer
10	00AA	1/2" NPT Female Eccentric Flange
11	005960-40	Eterna Cartridge, RTC
12	001638-45	Lever Handle
13	001661-45	Red Index-HW
14	000922-45	Lever Handle Screw
15	002713-40	Eterna Cartridge, LTC w/ Handle, Index & Screw
16	002714-40	Eterna Cartridge, RTC w/ Handle, Index & Screw



Product Specifications:  
 8" Deck Mount Mixing Faucet, Eterna Cartridges, Lever Handles,  
 18" Swing Nozzle & 1/2" NPT Female Inlets

Product Compliance:  
 ASME A112.18.1 / CSA B125.1  
 NSF 61 - Section 9  
 NSF 372 (Low Lead Content)  
 ANSI A117.1 (ADA)



T&S BRASS AND BRONZE WORKS, INC.

2 SADDLEBACK COVE / P.O. BOX 1088 / TRAVELERS REST, SC 29690

PHONE 800-476-4103

FAX 864- 834-3518



REG.#A2601  
ISO #9002

Model No.

B-0280

Item No.:

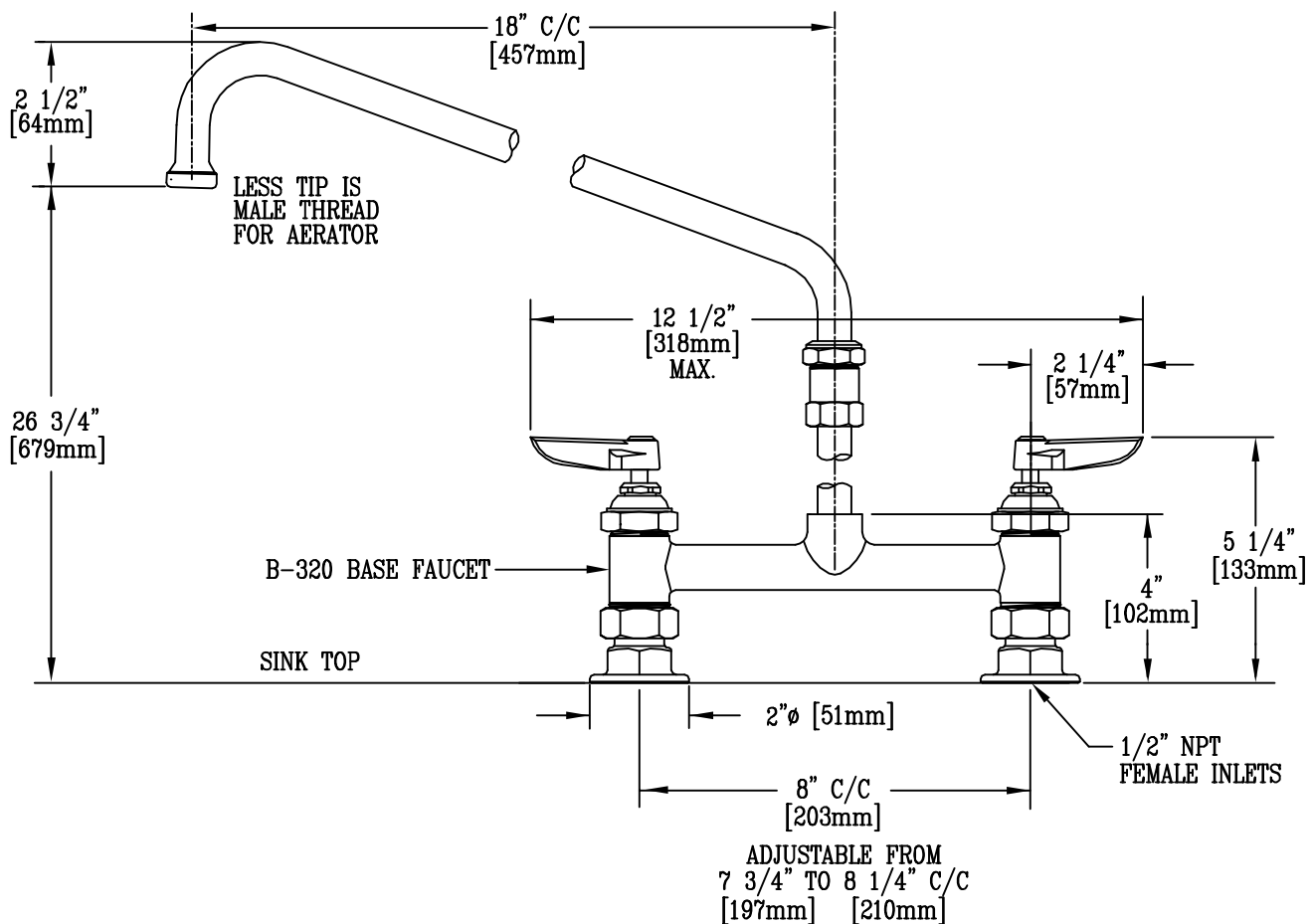
Job Name:

Architect/Engineer Approval:

Notes:



ADA COMPLIANT



**NOTES:**

1. ALSO AVAILABLE WITH B-199-1 NON-SPLASH AERATOR.
2. OTHER LENGTH NOZZLES & SINK-TOP TO NOZZLE TIP CLEARANCES AVAILABLE.

Product Description:  
DECK MIXING FAUCET WITH ELEVATED  
18" SWING NOZZLE, LEVER HANDLES,  
AND 1/2" NPT INLETS

Drawn:

MCW

Approved

CA

Checked

MW

Scale:

3" = 1'

Date:

10/23/95



# T&S BRASS AND BRONZE WORKS, INC.

2 SADDLEBACK COVE / P.O. BOX 1088 / TRAVELERS REST, SC 29690

PHONE 800-476-4103

FAX 803- 834-3518

Model No.

B-0220-CC

Item No.:

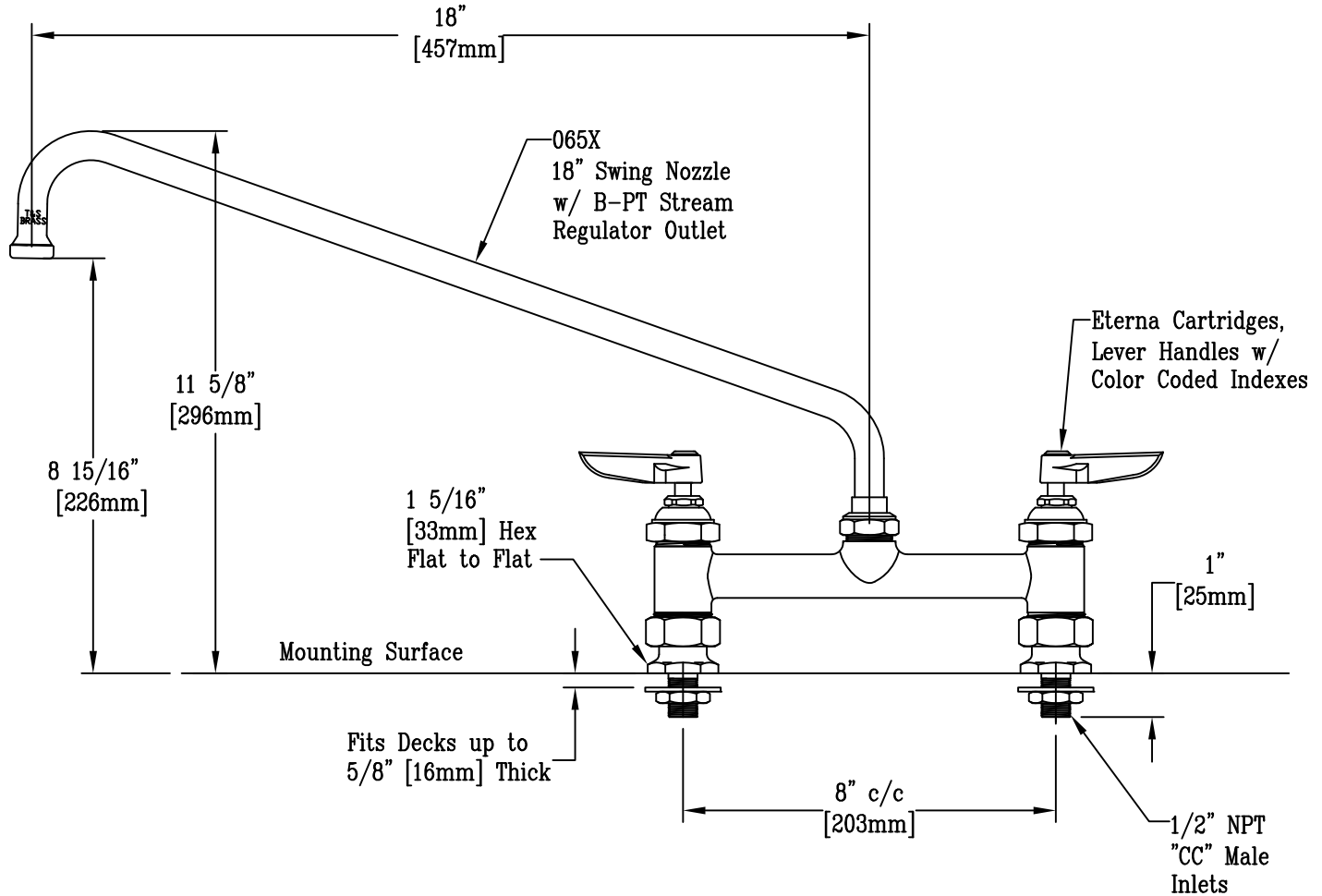
Job Name:

Architect/Engineer Approval:

Notes:



ADA COMPLIANT



Note: Rough-In Requirement  
(2)  $\varnothing$ 1" [25mm] Mounting Holes

Product Description:

8" c/c Deck Mount Faucet w/ Eterna Cartridges, 18" Swing Nozzle, Lever Handles, Stream Regulator Outlet, & 1/2" NPT "CC" Male Inlets

Drawn:

KJG

Checked:

JRM

Scale:

1 : 4

Approved

JHB

Date:

12/14/10



# T&S BRASS AND BRONZE WORKS, INC.

2 SADDLEBACK COVE / P.O. BOX 1088 / TRAVELERS REST, SC 29690

PHONE 800-476-4103

FAX 803-834-3518

Model No.

B-0220-EE

Item No.:

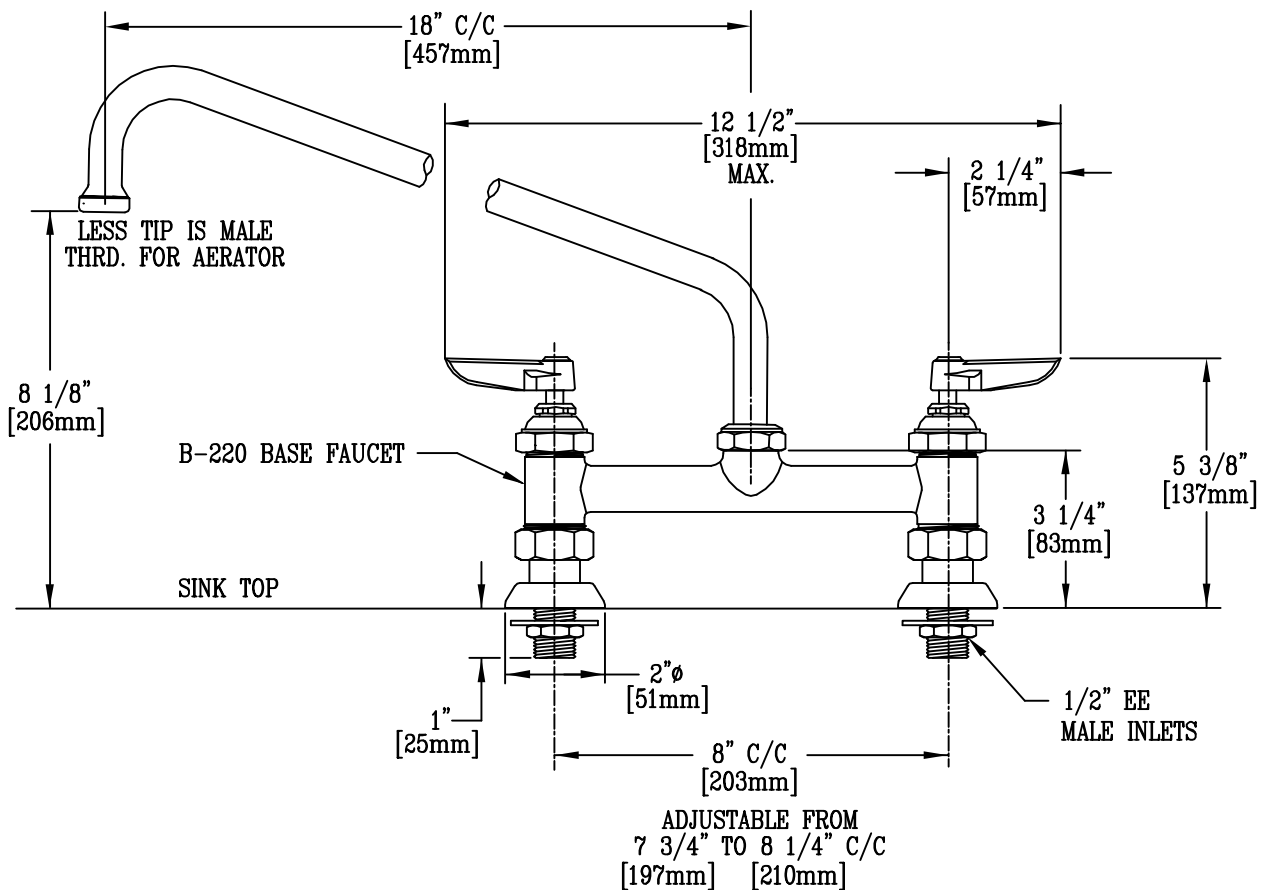
Job Name:

Architect/Engineer Approval:

Notes:



ADA COMPLIANT



**NOTE:**

1. ALSO AVAILABLE WITH B-WH-4" OR B-WH-6" WRIST ACTION BLADE HANDLES.
2. ALSO AVAILABLE WITH B-199-1 NON-SPLASH AERATOR.
3. NOZZLE SWINGS 360°.

Product Description:

DECK MOUNTED FAUCET WITH 18" SWING NOZZLE AND 1/2" "EE" MALE INLETS

Drawn:

MCW

Checked

SCM

Scale:

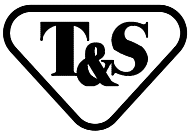
3" = 1'

Approved

CA

Date:

7/28/95



T&S BRASS AND BRONZE WORKS, INC.

2 SADDLEBACK COVE / P.O. BOX 1088 / TRAVELERS REST, SC 29690

PHONE 800-476-4103

FAX 864- 834-3518



REG.#A2601  
ISO #9002

Model No.

B-2283-065X

Item No.:

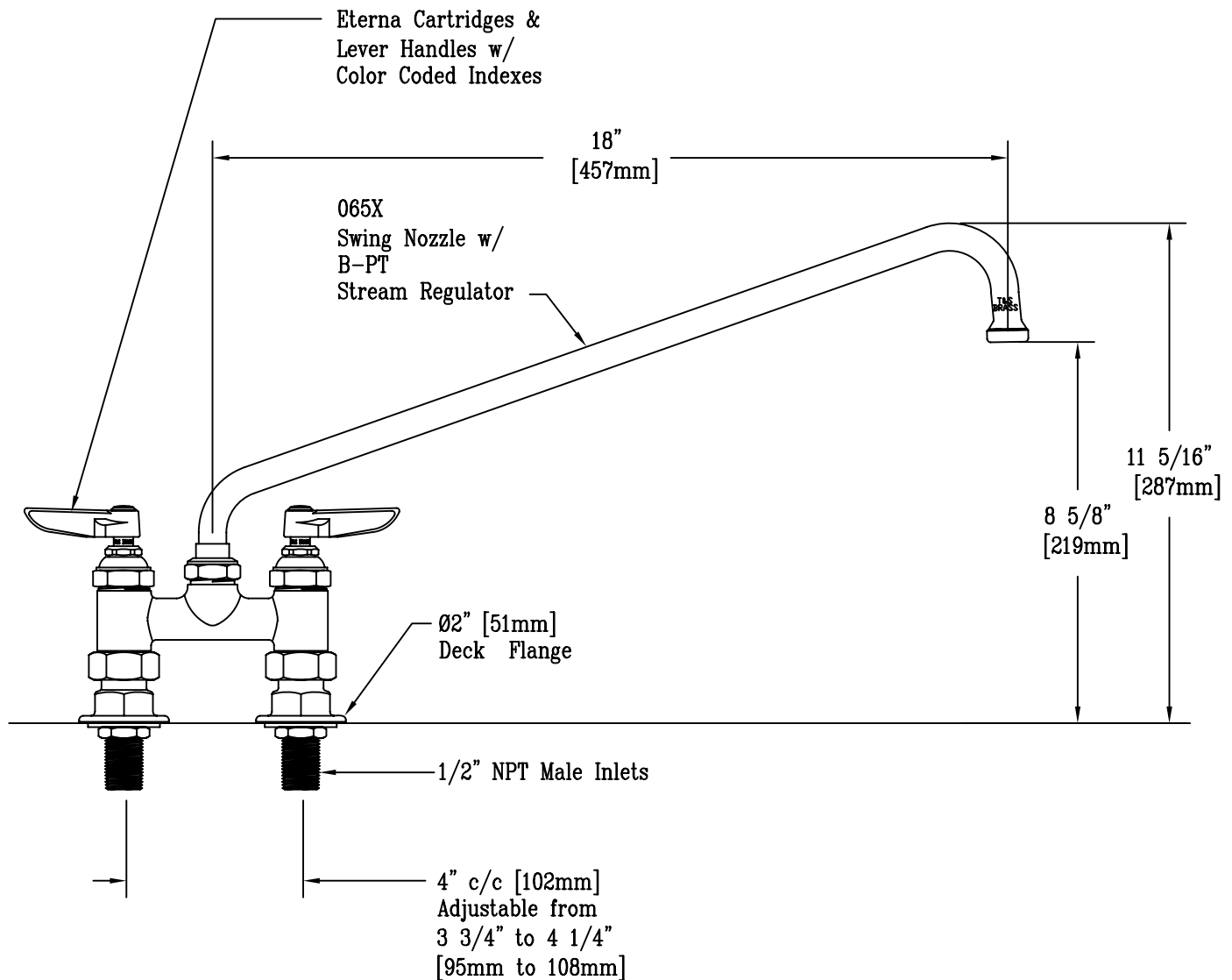
Job Name:

Architect/Engineer Approval:

Notes:



ADA COMPLIANT



Product Description:

Sink Faucet w/ 18" Swing Nozzle, 4" Adjustable inlet Centers, Lever Handles, & 1/2" NPT Male Inlets

Drawn:

DHL

Checked

KJG

Scale:

1:4

Approved

JHB

Date:

06/19/09