



T&S BRASS AND BRONZE WORKS, INC.

2 Saddleback Cove / P.O. Box 1088
Travelers Rest, SC 29690

Model No.

B-0208

Item No.

Travelers Rest, SC: 800-476-4103 • Simi Valley, CA: 800-423-0150 • Fax: 864-834-3518 • www.tsbrass.com

This Space for Architect/Engineer Approval

Job Name _____ Date _____

Model Specified _____ Quantity _____

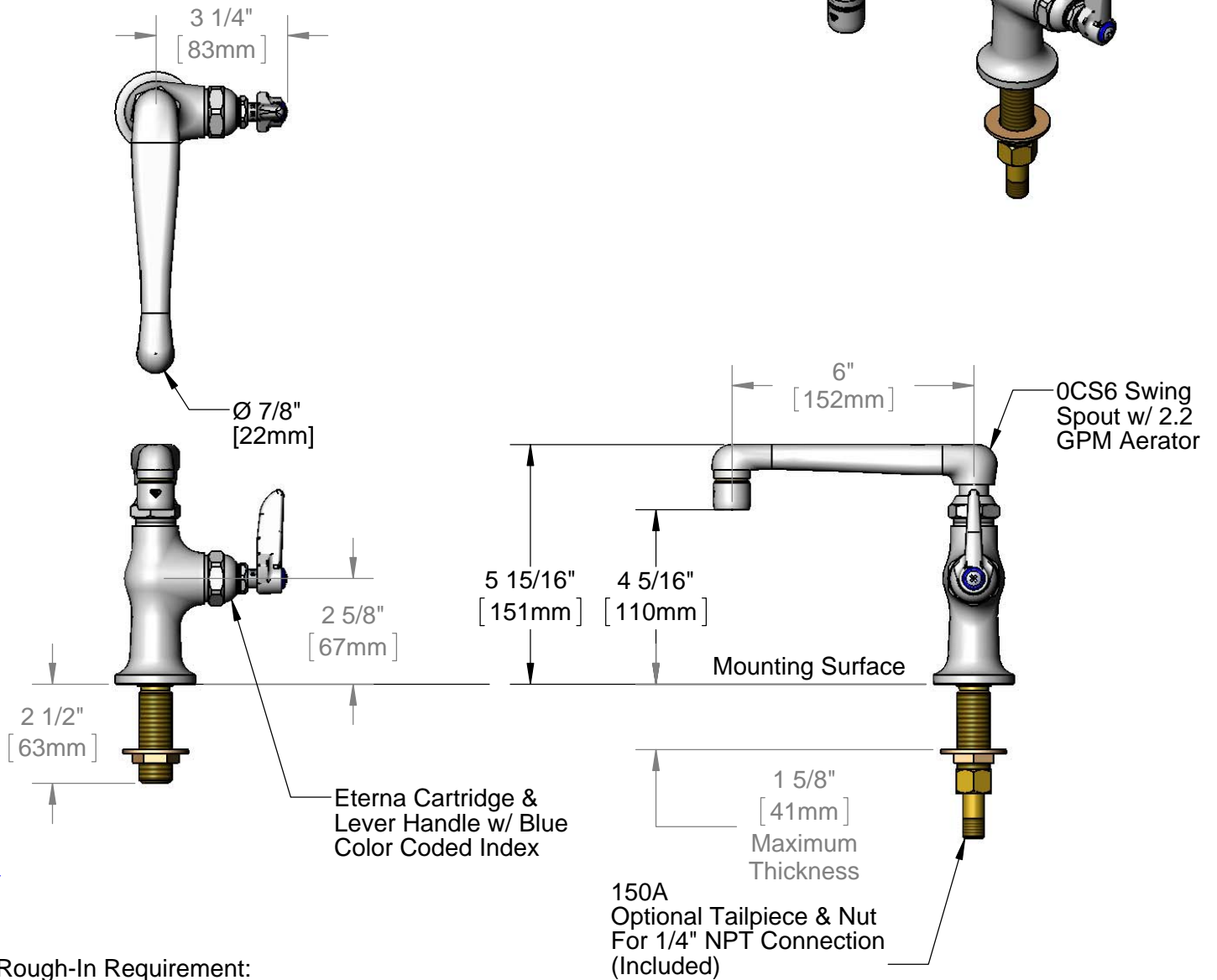
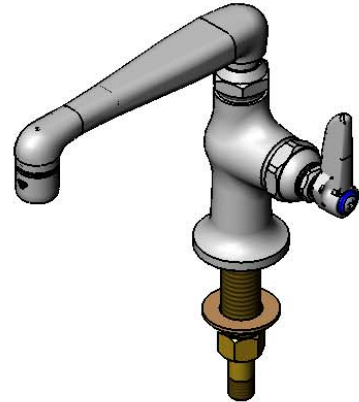
Customer/Wholesaler _____

Contractor _____

Architect/Engineer _____



ADA Compliant



Rough-In Requirement:
Ø 1" [25mm] Mounting Hole

Product Specifications:

Single Hole Single Temperature Deck Mount Faucet, Eterna Cartridge, Lever Handle, 6" Cast Spout & 1/2" NPSM Male Inlet

Product Compliance:

ASME A112.18.1 / CSA B125.1
NSF 61 - Section 9
NSF 372 (Low Lead Content)
ANSI A117.1 (ADA)



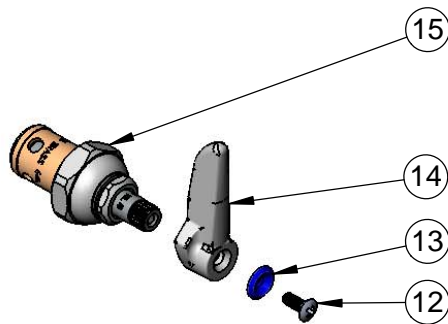
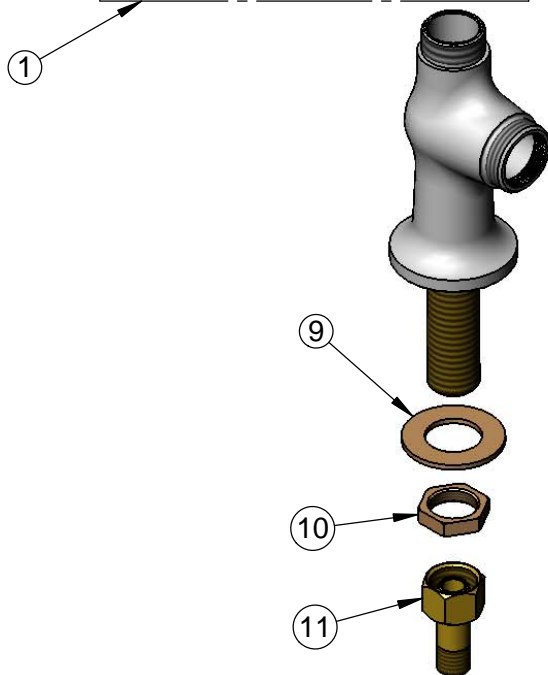
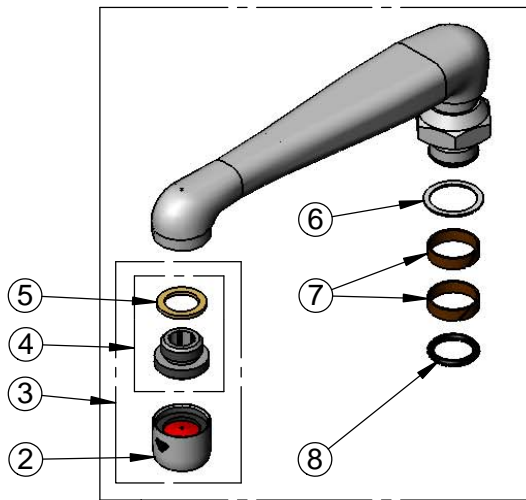
T&S BRASS AND BRONZE WORKS, INC.
 2 Saddleback Cove / P.O. Box 1088
 Travelers Rest, SC 29690

Model No.
B-0208

Item No.

Travelers Rest, SC: 800-476-4103 • Simi Valley, CA: 800-423-0150 • Fax: 864-834-3518 • www.tsbrass.com

ITEM NO.	SALES NO.	DESCRIPTION
1	0CS6	6" Cast Spout
2	B-0199-01	2.2 GPM Aerator, 55/64"-27 UN Female
3	B-0199-02	2.2 GPM Aerator, 3/8" NPSM Male
4	044A	3/8" to Aerator Adapter w/ Washer
5	001043-45	Washer
6	009E	Plastic Washer
7	011429-45	Swivel Sleeves (2)
8	001074-45	O-Ring
9	000999-45	Brass Lock Washer
10	002954-45	Shank Lock Nut
11	150A	1/4" NPT Tailpiece & Nut
12	000922-45	Lever Handle Screw
13	001660-45	Blue Index-CW
14	001638-45	Lever Handle
15	005960-40	Eterna Cartridge, RTC



Product Specifications:
 Single Hole Single Temperature Deck Mount Faucet, Eterna Cartridge, Lever Handle, 6" Cast Spout & 1/2" NPSM Male Inlet

Product Compliance:
 ASME A112.18.1 / CSA B125.1
 NSF 61 - Section 9
 NSF 372 (Low Lead Content)
 ANSI A117.1 (ADA)



T&S BRASS AND BRONZE WORKS, INC.

2 Saddleback Cove / P.O. Box 1088
Travelers Rest, SC 29690



REG. #A2601
ISO #9001

Model No.
B-0208-CR

Item No.

Travelers Rest, SC: 800-476-4103 Simi Valley, CA: 800-423-0150 Fax: 864-834-3518 www.tsbrass.com

This Space for Architect/Engineer Approval

Job Name _____ Date _____

Model Specified _____ Quantity _____

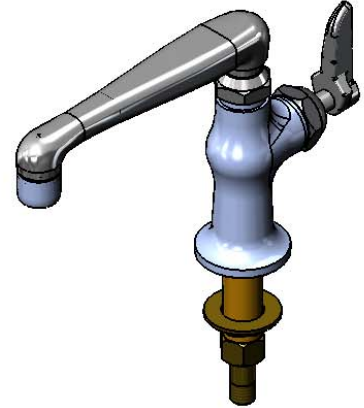
Customer/Wholesaler _____

Contractor _____

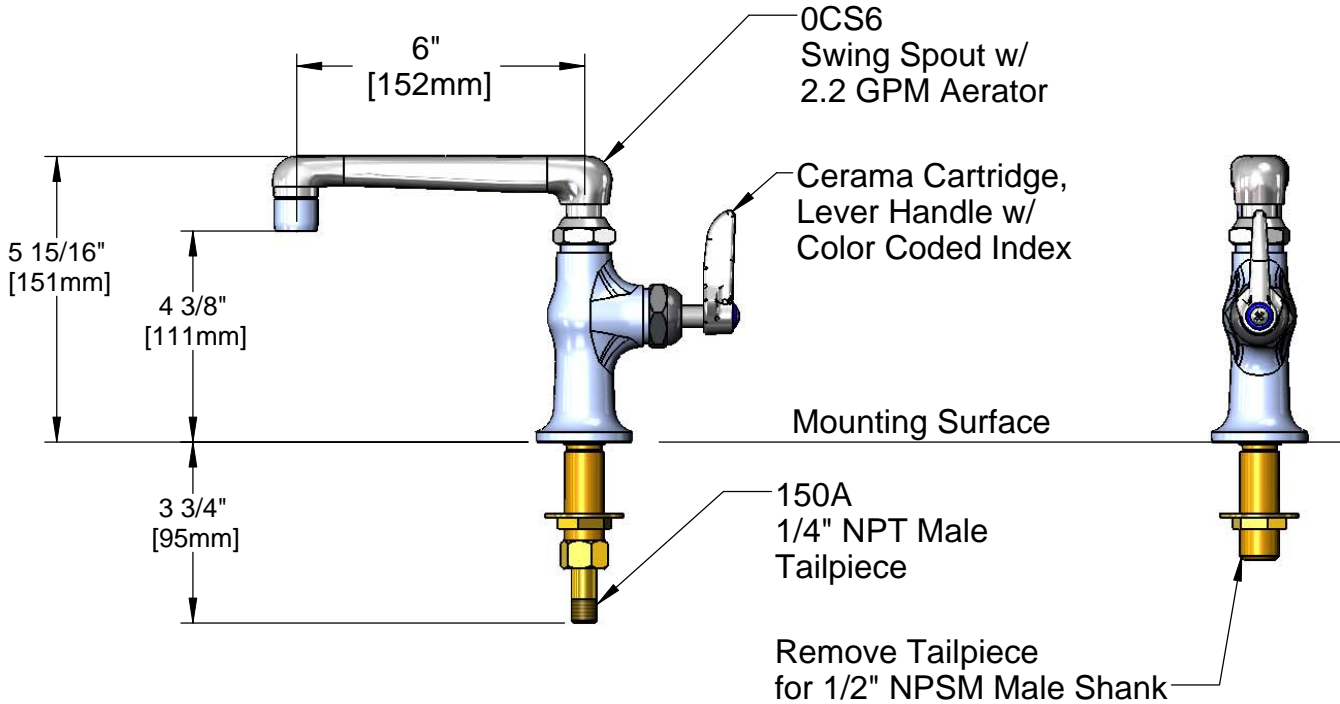
Architect/Engineer _____



ADA Compliant



Ø 7/8"
[22mm]



Product Specifications:
Single Temperature Deck Mount Faucet w/ 1/2" NPSM Male Shank, Cerama Cartridge, Lever Handle, & 6" Cast Spout w/ 2.2 GPM Aerator

Drawn KJG	Checked GEF	Approved JHB
Scale: 1:4		Date: 10/12/10



T&S BRASS AND BRONZE WORKS, INC.

2 Saddleback Cove / P.O. Box 1088
Travelers Rest, SC 29690



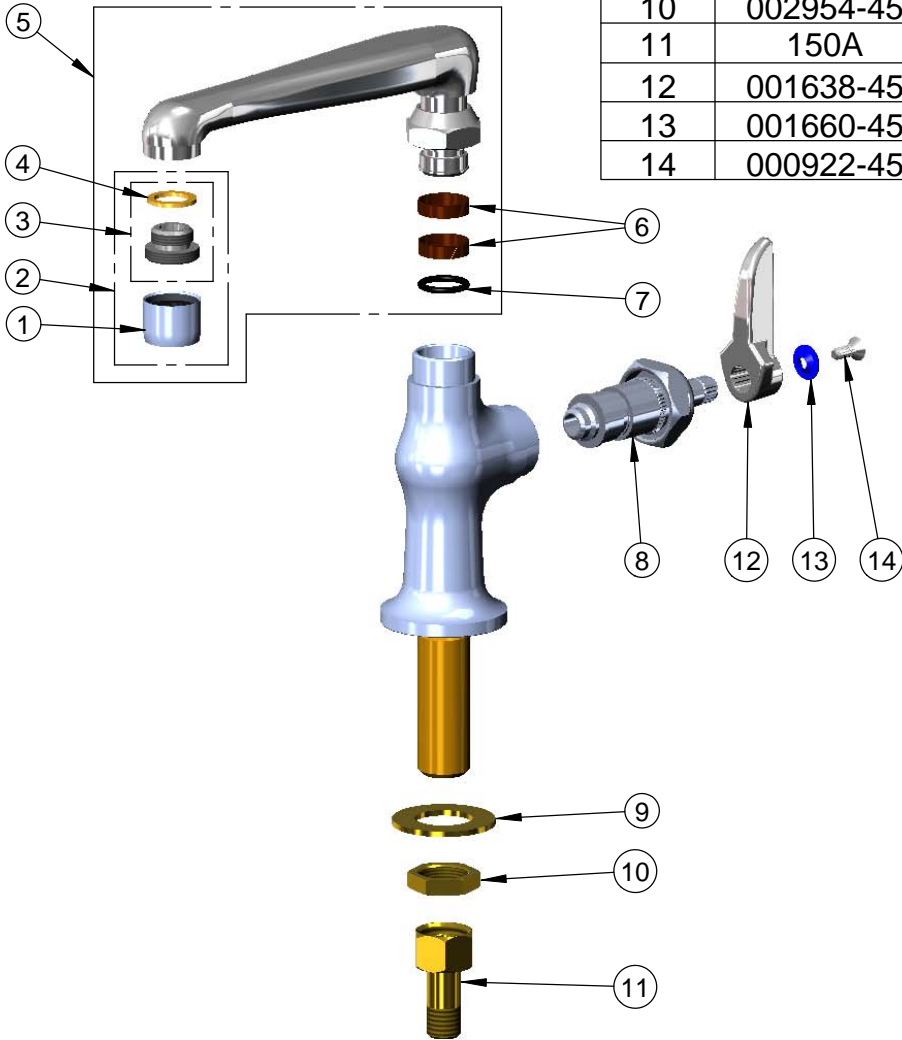
REG. #A2601
ISO #9001

Model No.
B-0208-CR

Item No.

Travelers Rest, SC: 800-476-4103 Simi Valley, CA: 800-423-0150 Fax: 864-834-3518 www.tsbrass.com

ITEM NO.	SALES NO.	DESCRIPTION
1	B-0199-01	2.2 GPM Aerator, Female
2	B-0199-02	2.2 GPM Aerator w/ 3/8" NPT Male Thread Adapter
3	044A	3/8" to Aerator Adapter
4	001043-45	Washer
5	0CS6	6" Cast Spout
6	011429-45	Swivel Sleeve
7	001074-45	O-Ring
8	011278-25	Cerama Cartridge RTC
9	000999-45	Brass Lock Washer
10	002954-45	Shank Lock Nut
11	150A	Bag of (1) Nut & (1) Tailpiece
12	001638-45	Lever Handle
13	001660-45	Blue Index-CW
14	000922-45	Lever Handle Screw



Product Specifications:

Single Temperature Deck Mount Faucet w/ 1/2" NPSM Male Shank, Cerama Cartridge, Lever Handle, & 6" Cast Spout w/ 2.2 GPM Aerator

Drawn KJG	Checked GEF	Approved JHB
Scale: NTS		Date: 10/12/10



T&S BRASS AND BRONZE WORKS, INC.

2 Saddleback Cove / P.O. Box 1088
Travelers Rest, SC 29690



REG. #A2601
ISO #9001

Model No.

B-0208-CR-HW

Item No.

Travelers Rest, SC: 800-476-4103 Simi Valley, CA: 800-423-0150 Fax: 864-834-3518 www.tsbrass.com

This Space for Architect/Engineer Approval

Job Name _____ Date _____

Model Specified _____ Quantity _____

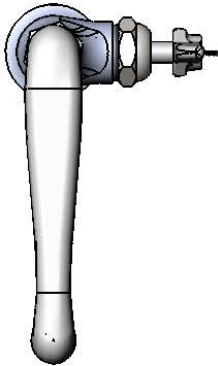
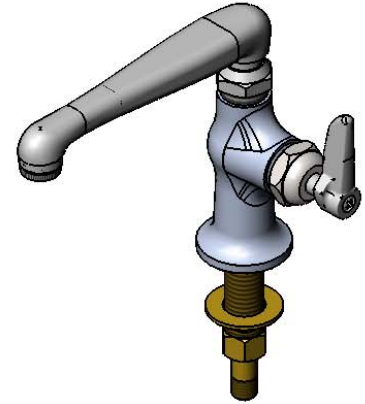
Customer/Wholesaler _____

Contractor _____

Architect/Engineer _____

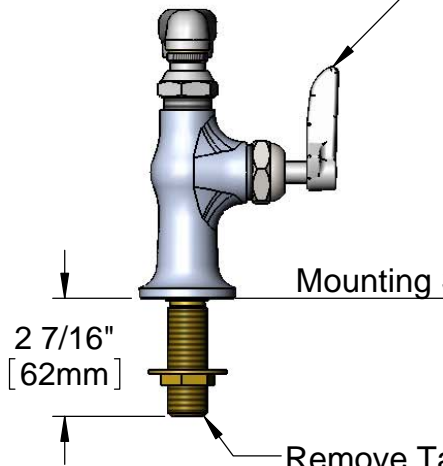


ADA Compliant



0CS6-LT
6" Swivel Cast Spout w/
B-LT
Stream Regulator Outlet
(Optional Swivel/Rigid
Washer Included)

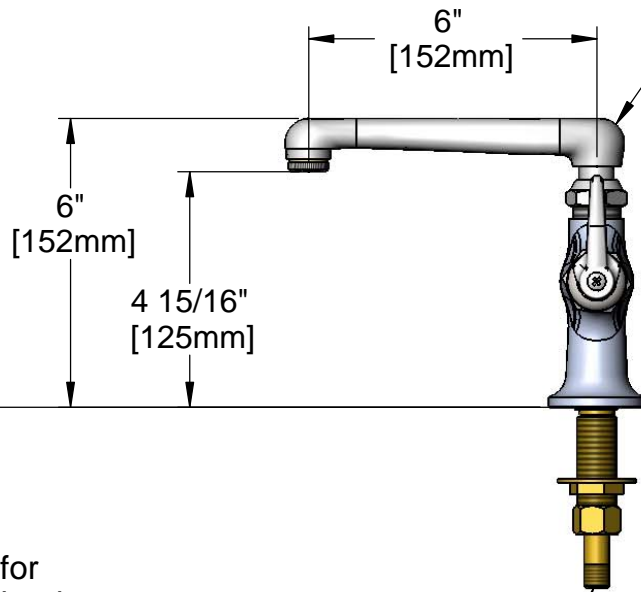
Cerama Cartridge & Lever
Handle w/ Red (HW) Index



Mounting Surface

2 7/16"
[62mm]

Remove Tailpiece for
1/2" NPSM Male Shank



150A
1/4" NPT Male Tailpiece

Rough-In Requirement:
Ø 1" [25mm] Mounting Hole

Product Specifications:

Single Temperature Deck Mount Faucet w/ 1/2" NPSM Male Shank, Cerama Cartridge, Lever Handle w/ Red (HW) Index & 6" Cast Spout w/ B-LT Stream Regulator Outlet

Drawn DHL	Checked JRM	Approved JHB
Scale: 1:4		Date: 01/17/11



T&S BRASS AND BRONZE WORKS, INC.

2 Saddleback Cove / P.O. Box 1088
Travelers Rest, SC 29690



REG. #A2601
ISO #9001

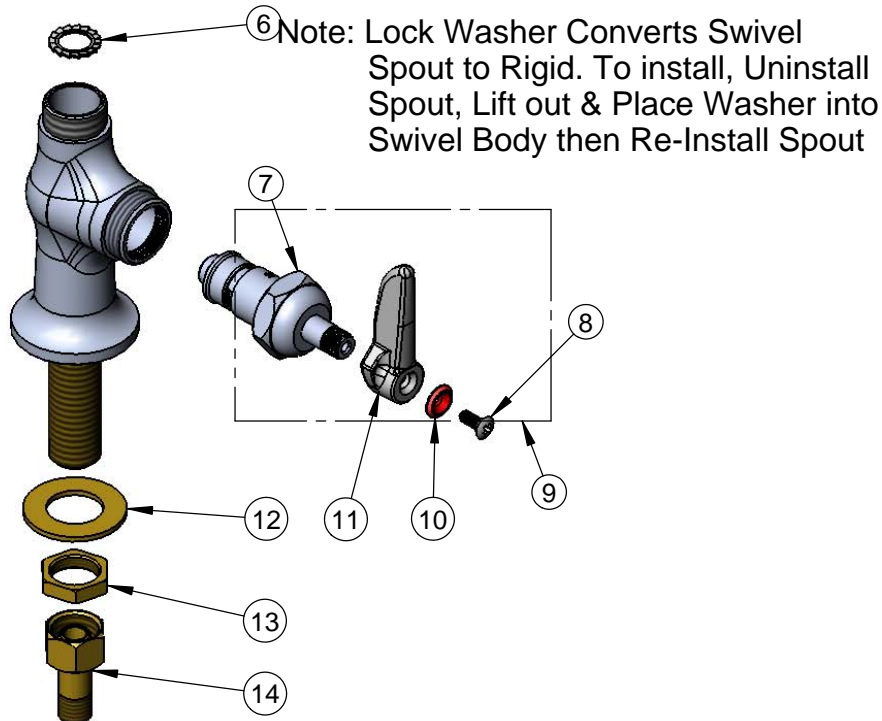
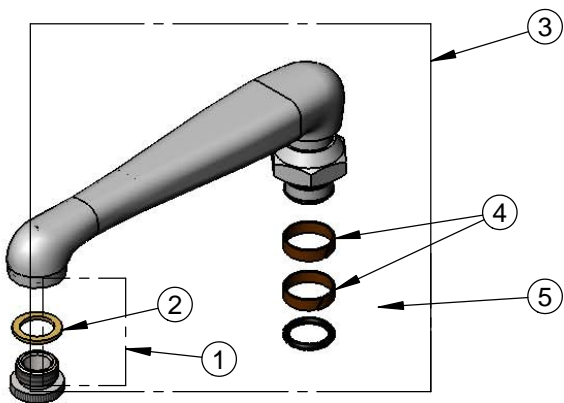
Model No.

B-0208-CR-HW

Item No.

Travelers Rest, SC: 800-476-4103 Simi Valley, CA: 800-423-0150 Fax: 864-834-3518 www.tsbrass.com

ITEM NO.	SALES NO.	DESCRIPTION
1	B-LT	Stream Regulator Outlet
2	001043-45	Washer
3	OCS6-LT	6" Swivel Cast Spout w/ B-LT Stream Regulator Outlet
4	011429-45	Swivel Sleeves (2)
5	001074-45	O-Ring
6	014200-45	Star Washer, Anti-Rotation
7	011278-25	Cerama Cartridge RTC
8	000922-45	Lever Handle Screw
9	012444-25	Hot Cerama Cartridge w/ Handle, Index & Screw
10	001661-45	Red Index-HW
11	001638-45	Lever Handle
12	000999-45	Brass Lock Washer
13	002954-45	Shank Lock Nut
14	150A	Bag of (1) Nut & (1) Tailpiece



Note: Lock Washer Converts Swivel Spout to Rigid. To install, Uninstall Spout, Lift out & Place Washer into Swivel Body then Re-Install Spout

Product Specifications:

Single Temperature Deck Mount Faucet w/ 1/2" NPSM Male Shank, Cerama Cartridge, Lever Handle w/ Red (HW) Index & 6" Cast Spout w/ B-LT Stream Regulator Outlet

Drawn DHL	Checked JRM	Approved JHB
Scale: NTS		Date: 01/17/11