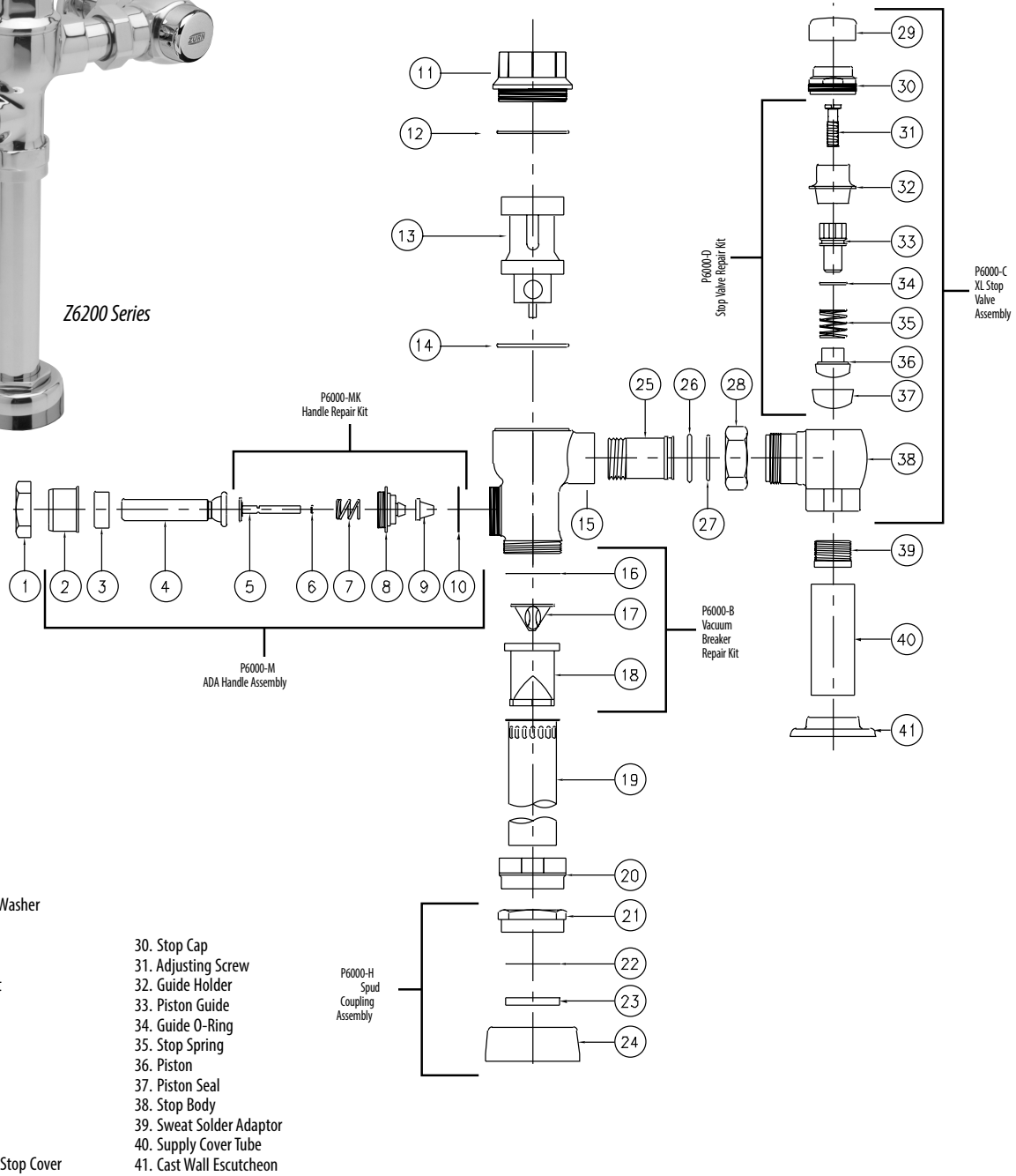


Metroflush • Parts Replacement & Repair Guide



Z6200 Series



Parts Identification

- 1. Handle Nut
- 2. Handle Sleeve
- 3. Handle Insert
- 4. Low Force/ADA Compliant Handle
- 5. Actuator Rod
- 6. Handle O-Ring
- 7. Handle Spring
- 8. Handle Seal Retainer
- 9. Handle Seal
- 10. Gasket
- 11. Valve Body Cover
- 12. Valve Body Cover Gasket
- 13. Internal Kit
- 14. Main Seat
- 15. Valve Body
- 16. Vacuum Breaker Friction Washer
- 17. Vacuum Breaker Insert
- 18. Vacuum Breaker Duckbill
- 19. Vacuum Breaker Tube
- 20. Vacuum Breaker Tube Nut
- 21. Spud Nut
- 22. Spud Friction Washer
- 23. Spud Sleeve
- 24. Spud Escutcheon
- 25. Tailpiece
- 26. Snap Ring
- 27. Tailpiece O-Ring
- 28. Locking Nut
- 29. Vandal-Resistant Control Stop Cover
- 30. Stop Cap
- 31. Adjusting Screw
- 32. Guide Holder
- 33. Piston Guide
- 34. Guide O-Ring
- 35. Stop Spring
- 36. Piston
- 37. Piston Seal
- 38. Stop Body
- 39. Sweat Solder Adaptor
- 40. Supply Cover Tube
- 41. Cast Wall Escutcheon

Covers and Repair Kits	Product No.
Outside Cover - CP - Item 11	P6200-LL
Outside Cover O-Ring - Item 12	P6200-L12
Closet Repair Kit - Item 13	P6200-EC
Urinal Repair Kit - Item 13	P6200-EU
Low Consumption Closet Kit - Item 13	P6200-EC-WS1
Low Consumption Urinal Kit - Item 13	P6200-EU-WS1
Main Seat - Item 14	P6200-E14

Handle Assembly and Repair Kits	Product No.
ADA Handle Assembly (Side) Includes Items 2-10	P6000-M
Handle Repair Kit (Side) Includes Items 5-10	P6000-MK
Handle Seal Includes Item 9	P6000-M9
Handle Gasket Includes Item 10	P6000-M10
Control Stop Repair Kit and Parts	Product No.
Control Stop Repair Kit for 1" and 3/4", Includes Items 31-37	P6000-D-SD
Seal Seat for 1" and 3/4", Includes Item 37	P6000-D42
VP Control Stop Repair Kit for 1" and 3/4", Includes Items 31-37.	P6000-D-VP
Vandal-Resistant Cover Includes Item 29	P6000-VC

Adjustable Tailpieces	Product No.
Adjustable Tailpiece for Standard Flush Valve Includes Items 25-27.	P6000-J1
Tailpiece Coupling Assembly Includes Items 26-28	P6000-K
Tailpiece Locking Ring Includes Item 26	P6000-C30
Tailpiece O-Ring Includes Item 26	P6000-C31
Coupling Nut Includes Item 28	P6000-C32
Flush Connections and Spud Coupling Kits	Product No.
Flush Tube Assembly for Flush Valves Includes Items 16-20. Specify diameter and length: 1-1/2", 1-1/4", 3/4".	P6000-A
Vacuum Breaker Repair Kit Includes Items 16-18	P6000-B
Spud Coupling Assembly Includes Items 21-24. Specify size: 1-1/2", 1-1/4", 3/4".	P6000-H