

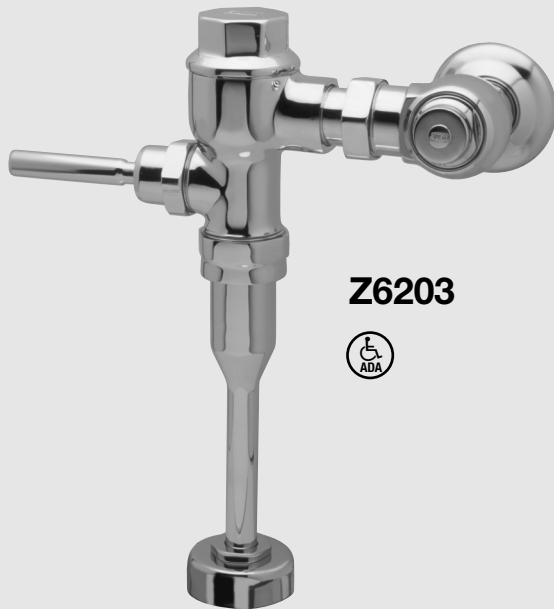


Metroflush® Z6200 Series

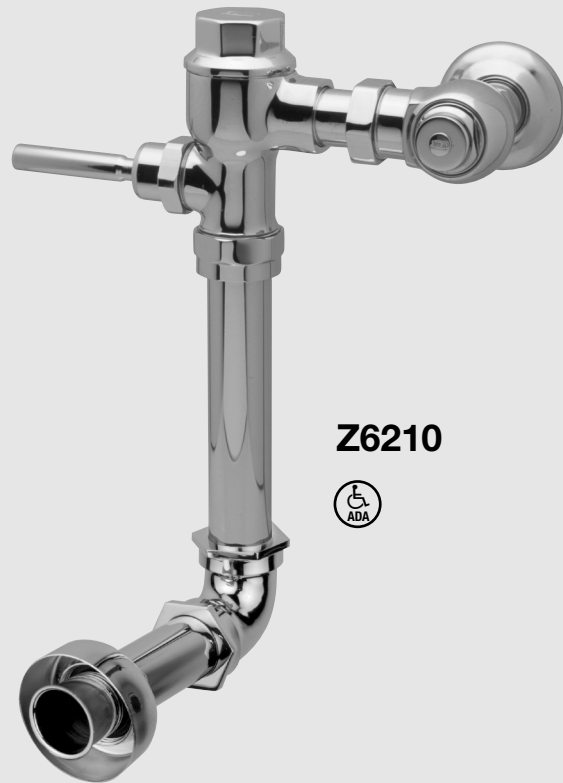
Metroflush Piston-Operated
Flush Valve

Installation, Operation,
Maintenance and Parts Manual

Patented and Patents Pending



Z6203



Z6210

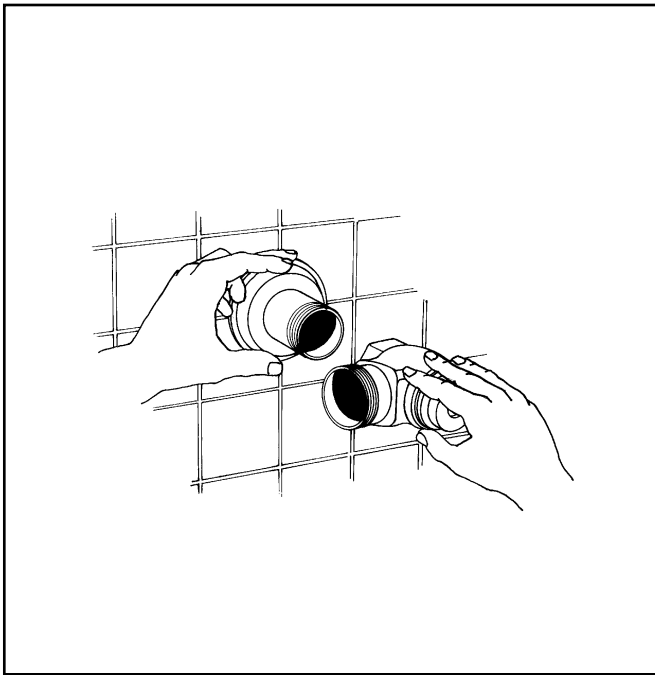


**Metroflush
Piston-Operated Flush Valve**

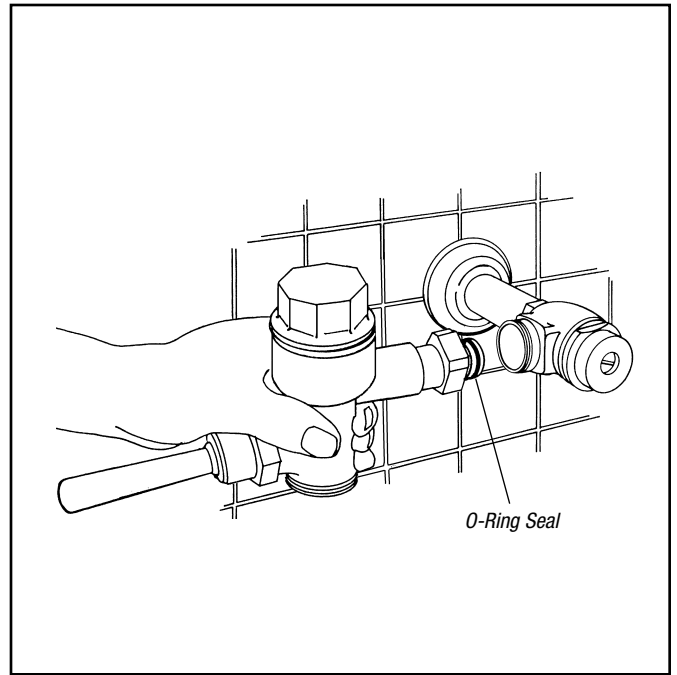
**Z6200
Z6201
Z6203
Z6210**

LIMITED WARRANTY

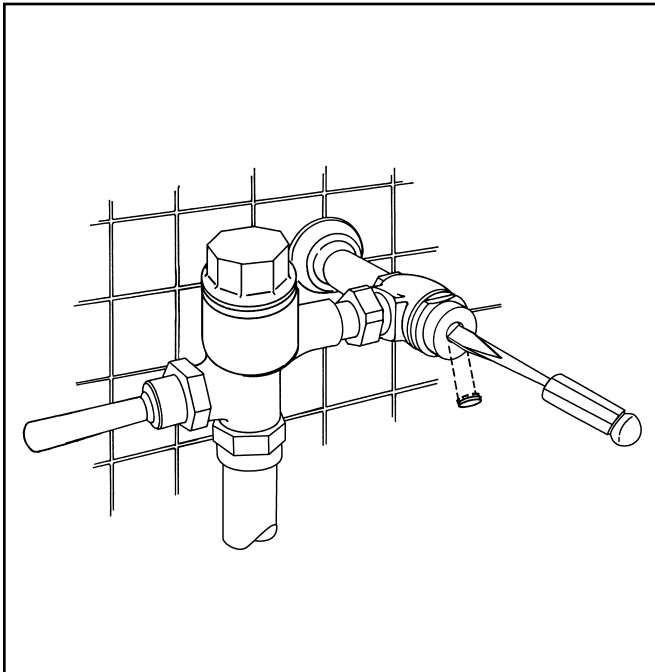
All goods sold hereunder are warranted to be free from defects in material and factory workmanship for a period of three years from the date of purchase. Decorative finishes warranted for one year. We will replace at no cost goods that prove defective provided we are notified in writing of such defect and the goods are returned to us prepaid at Sanford, NC, with evidence that they have been properly maintained and used in accordance with instructions. We shall not be responsible for any labor charges or any loss, injury or damages whatsoever, including incidental or consequential damages. The sole and exclusive remedy shall be limited to the replacement of the defective goods. Before installation and use, the purchaser shall determine the suitability of the product for his intended use and the purchaser assumes all risk and liability whatever in connection therewith. Where permitted by law, the implied warranty of merchantability is expressly excluded. If the products sold hereunder are "consumer products," the implied warranty of merchantability is limited to a period of three years and shall be limited solely to the replacement of the defective goods. All weights stated in our catalogs and lists are approximate and are not guaranteed.



1 Install stop valve using proper supply escutcheon and sweat solder kit if applicable.

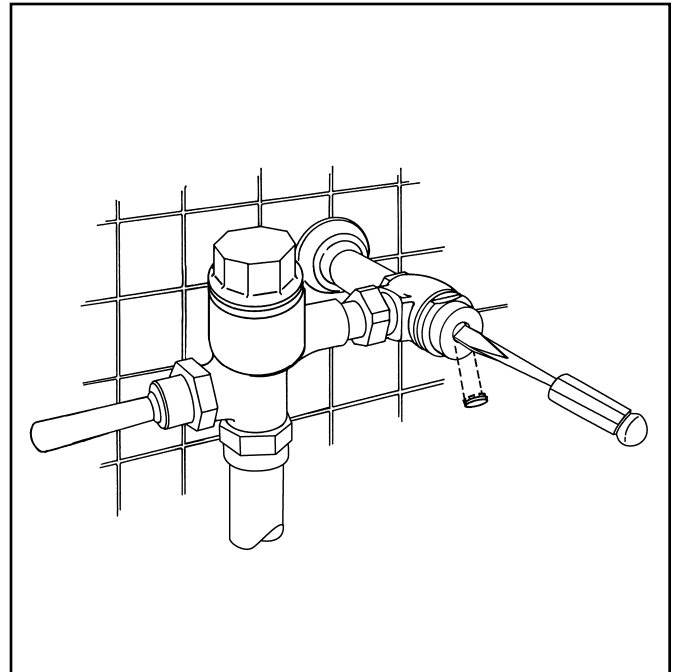


2 Insert flush valve tailpiece into stop valve, being certain 'O'-ring seal is in place. Wet seal with water to lubricate. Hand tighten locknut. Determine length of vacuum breaker tube required and cut as necessary. Assemble vacuum breaker tube assembly between flush valve and fixture spud.



3 Flushing of supply lines by using the following procedure is recommended, after installation of all valves.

- A. Close stop valves by using adjusting screw behind adjusting screw cover. Do not remove stop valve cap.
- B. Remove main valve body cover and working part from flush valve.
- C. Replace only main valve body cover. Tighten main valve body cover.
- D. Open the stop valve, by using the adjusting screw, until debris is purged.
- E. Shut the stop valve, replace working part and retighten cover.

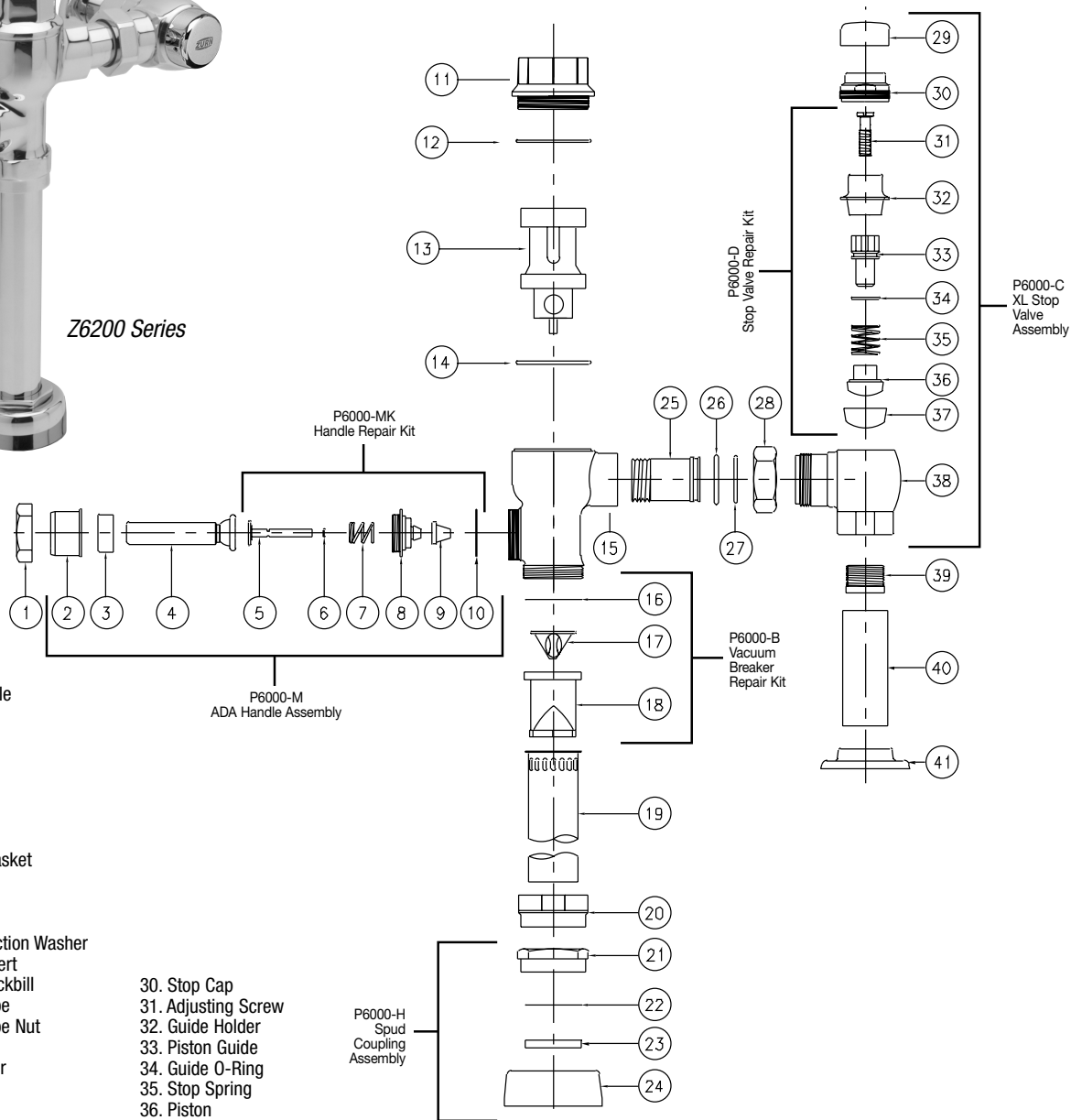


4 Set flush valve for proper operation by adjusting stop valve. Stop valve adjustments can only be made by using the adjusting screw located behind the adjusting screw cover. (Water must be shut off at main supply valve if stop cap is to be removed.) Final setting should provide enough water flow to evacuate a closet fixture and should be such that a urinal fixture will not overflow when continually flushed. Secure adjusting screw cover.

Metroflush® Parts Replacement & Repair Guide



Z6200 Series



Parts Identification

- 1. Handle Nut
- 2. Handle Sleeve
- 3. Handle Insert
- 4. Low Force/ADA Compliant Handle
- 5. Actuator Rod
- 6. Handle O-Ring
- 7. Handle Spring
- 8. Handle Seal Retainer
- 9. Handle Seal
- 10. Gasket
- 11. Valve Body Cover
- 12. Valve Body Cover Gasket
- 13. Internal Kit
- 14. Main Seat
- 15. Valve Body
- 16. Vacuum Breaker Friction Washer
- 17. Vacuum Breaker Insert
- 18. Vacuum Breaker Duckbill
- 19. Vacuum Breaker Tube
- 20. Vacuum Breaker Tube Nut
- 21. Spud Nut
- 22. Spud Friction Washer
- 23. Spud Sleeve
- 24. Spud Escutcheon
- 25. Tailpiece
- 26. Snap Ring
- 27. Tailpiece O-Ring
- 28. Locking Nut
- 29. Vandal-Resistant Control Stop Cover
- 30. Stop Cap
- 31. Adjusting Screw
- 32. Guide Holder
- 33. Piston Guide
- 34. Guide O-Ring
- 35. Stop Spring
- 36. Piston
- 37. Piston Seal
- 38. Stop Body
- 39. Sweat Solder Adaptor
- 40. Supply Cover Tube
- 41. Cast Wall Escutcheon

Covers and Repair Kits	Product No.
Outside Cover - CP - Item 11	P6200-LL
Outside Cover O-Ring - Item 12	P6200-L12
Closet Repair Kit - Item 13	P6200-EC
Urinal Repair Kit - Item 13	P6200-EU
Low Consumption Closet Kit - Item 13	P6200-EC-WS1
Low Consumption Urinal Kit - Item 13	P6200-EU-WS1
Main Seat - Item 14	P6200-E14

Handle Assembly and Repair Kits	Product No.
ADA Handle Assembly (Side) Includes Items 2-10	P6000-M
Handle Repair Kit (Side) Includes Items 5-10	P6000-MK
Handle Seal Includes Item 9	P6000-M9
Handle Gasket Includes Item 10	P6000-M10
Control Stop Repair Kit and Parts	Product No.
Control Stop Repair Kit for 1" and 3/4", Includes Items 31-37	P6000-D-SD
Seal Seat for 1" and 3/4", Includes Item 37	P6000-D42
VP Control Stop Repair Kit for 1" and 3/4", Includes Items 31-37.	P6000-D-VP
Vandal-Resistant Cover Includes Item 29	P6000-VC

Adjustable Tailpieces	Product No.
Adjustable Tailpiece for Standard Flush Valve Includes Items 25-27.	P6000-J1
Tailpiece Coupling Assembly Includes Items 26-28	P6000-K
Tailpiece Locking Ring Includes Item 26	P6000-C30
Tailpiece O-Ring Includes Item 26	P6000-C31
Coupling Nut Includes Item 28	P6000-C32
Flush Connections and Spud Coupling Kits	Product No.
Flush Tube Assembly for Flush Valves Includes Items 16-20. Specify diameter and length: 1-1/2", 1-1/4", 3/4".	P6000-A
Vacuum Breaker Repair Kit Includes Items 16-18	P6000-B
Spud Coupling Assembly Includes Items 21-24. Specify size: 1-1/2", 1-1/4", 3/4".	P6000-H

MetroFlush • Service Instructions

PROBLEM	CAUSE*	CORRECTIVE ACTION
Valve will not operate.	1.) Stop valve is closed. 2.) Supply valve is closed.	1.) Open stop valve. 2.) Open supply valve.
Insufficient volume of water to adequately siphon fixture.	1.) Stop valve is not open enough. 2.) Urinal piston installed in closet valve. 3.) Insufficient volume or pressure at supply.	1.) Open stop valve for desired volume of water. 2.) Replace urinal piston with proper closet piston. 3.) Consult fixture guide for minimum gallons per minute flow and running pressure for satisfactory fixture performance.
Flush valve shuts off too quick.	1.) Damaged piston. 2.) Enlarged by-pass orifice.	1.) Install new P6200-EC, P6200-EU replacement kit to remedy the problem. 2.) Install new P6200-EC, P6200-EU replacement kit to remedy the problem.
Valve is short flushing.	1.) Enlarged by-pass orifice. 2.) Urinal piston in closet flush valves.	1.) Install new P6200-EC, P6200-EU replacement kit to remedy the problem. 2.) Install closet piston (Item #13).
Valve is flushing too long or not shutting off.	1.) Trip mechanism not seating properly due to foreign material between trip mechanism and seat. 2.) By-pass orifice is plugged or partially plugged. 3.) Line pressure is not adequate to force trip mechanism to seal.	1.) Disassemble parts and rinse thoroughly. 2.) Examine by-pass orifice and clean if necessary being certain not to enlarge orifice opening. 3.) Pressure is inadequate or has dropped below minimum operating range. Steps should be taken to increase the line pressure.
Water splashes out of fixture.	1.) Supply volume is more than is necessary. 2.) Lime accumulation on vortex or spreader holes of fixture.	1.) Adjust downward on control stop. 2.) Remove the lime build up.
Flush is not considered quiet.	1.) Control stop may not be adjusted for quiet operation. 2.) Fixture may be contributing to noise. 3.) Piping system may be source of noise.	1.) Adjust the control stop for quiet operation keeping in mind the fixture evacuation requirements. 2.) Check noise created by fixture by placing a cover over the bowl opening to separate valve noise from bowl noise. If it is determined the fixture is too noisy consult with fixture manufacturer. 3.) High pressure in the system can sometimes be controlled by the stop valve. Other sources of noise may be the absence of air chambers and shock arrestors, loose pipes, improper size pipes, etc. In these cases the building engineer should be consulted.
Handle assembly leaking.	1.) Handle assembly is not tight.	1.) Tighten handle assembly.

Care of Chrome Plated Surfaces

The suggested cleaning of chrome plated surfaces is simply to clean them with mild soap and water, then dry. Commercial cleaning compounds are never recommended.

compounds

Seasonal Use

Valves used in installations subject to shut down because of cold and freezing conditions should be maintained in the following manner. After the main supply has been shut off and the water drained from the system, remove the stop valve cap and stop valve internals to allow the water to drain from the flush valve itself.

manner. After the the water to



ZURN INDUSTRIES, INC.
ZURN INDUSTRIES LIMITED
AIR DELIGHTS, INC.

COMMERCIAL BRASS OPERATION, 5900 ELWIN BUCHANAN DRIVE, SANFORD, NC, U.S.A. 27330, PHONE: 1-800-997-3876 FAX: 919/775-3541 WEBSITE: www.zurn.com
3544 NASHUA DRIVE, MISSISSAUGA, ONTARIO L4V 1L2, PHONE: 905/405-8272 FAX: 905/405-1292
11170 SW 5TH, STE. 100, BEAVERTON, OR U.S.A. 97005, PHONE: 1-800-440-5556 FAX: 1-503-643-8224 WEBSITE: www.airdelights.com