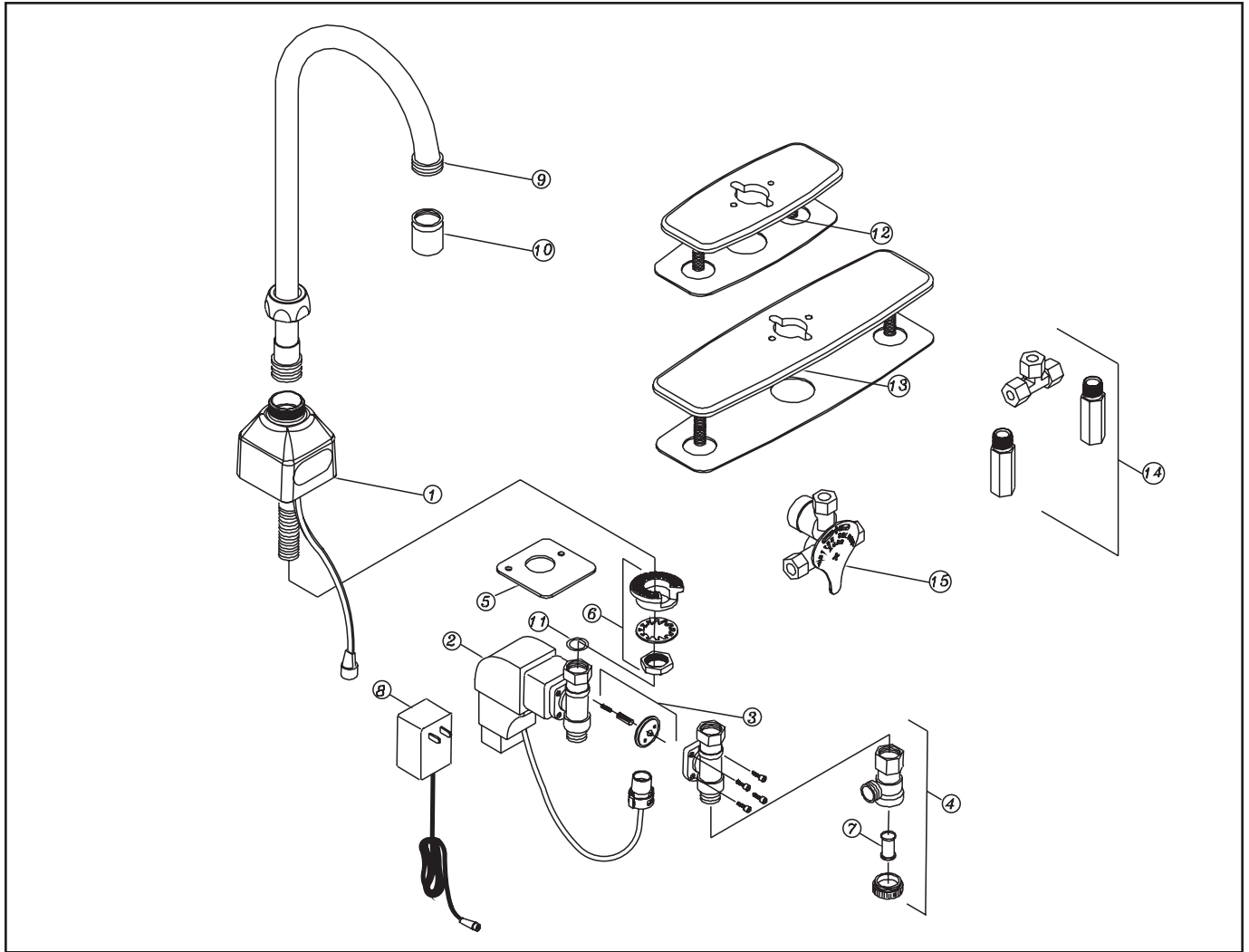


Z6920 Repair Kits



AquaSense®
Battery-Powered Faucets



Description	Product No.
1. Spout Base with Sensor Assembly	P6920-1
2. Electronics Box with Solenoid	P6920-B-L
3. Solenoid Rebuild Kit (Diaphragm, Plunger, and Plunger Spring)	P6900-SRK
4. Filter Kit	P6900-120
5. Base Plate Gasket	P6920-42
6. Mounting Kit	P6920-43
7. Filter Screen	P6900-MV-7
8. Optional Plug-in Power Converter	P6900-ACA
9. 5-3/8" Gooseneck Spout with Nut	P6900-GB
10. 2.0 GPM Vandal-Resistant Aerator	P6900-20A-GN
11. Shank Gasket	P6900-SG
12. 4" Cast Cover Plate with Gasket	P6920-CP4
13. 8" Cast Cover Plate with Gasket	P6920-CP8
14. Mixing Tee with Filters and Backchecks	P6900-MT
15. Mixing Valve with Filter	P6900-MV