

# INSTANT-FLOW<sup>®</sup> MICRO - STANDARD FLOW

**APPLICATION:** commercial, industrial, residential, kitchen/bar sink, service sink, scrub sink, shower

## PRODUCT FEATURES

- Uses a digital microprocessor for temperature control  
Ultra quick response times for temperature variations - 120 times per second. Microprocessor use is the most energy efficient means of heating water
- Unlimited hot water
- Saves water and energy - 99% energy efficient
- Vandal resistant rugged cast aluminum housing
- Space saving compact size:  
6-1/4" (H) x 9-5/8" x 2-3/4"
- Meets applicable building codes including ADA, UL, IAPMO, UPC.
- Environmentally friendly
- Made in the U.S.A.

Chronomite Instant-Flow<sup>®</sup> Micro - Standard Flow models are manufactured to provide reliable point-of-use hot water. There is no pressure and temperature relief valve needed (unless required by code), saving time and money on installation.

**Housing** is fabricated from rugged cast aluminum alloy.

**Element assembly** is fabricated from Celcon plastic.

**Heating coils** are nichrome.

**Faucet flow control and compression fittings** are supplied with each unit.



Member of  
U.S. Green  
Building Council



Water  
Conserving  
Product



Made in  
the USA

**For the model being selected, please place the corresponding amps and volts values in the Guide Specifications to the right.**



Instant-Flow<sup>®</sup> Micro - Standard Flow

## GUIDE SPECIFICATION

Tankless Water Heater shall be a Chronomite Laboratories Model

M -  /

AMPS                      VOLTS                      OPTIONS

with  Amps and  Volts

to heat to a preset temperature of:

- 104°F
  - 110°F (Meets ADA)
  - Other temperature settings available upon request (specify below)
- 120 °F (Meets health code)

Unit shall be provided with Celcon waterways, and Nichrome heating coils.  
Temperature controlled by microprocessor.

### OPTIONS

- PA 765 ABS Housing (P)
- Satin Finish Stainless Steel Housing (SS)
- High Polish Finish Stainless Steel (SSP)
- Pressure & Temp Relief Valve Assembly (TP)

MODEL	AMPS	VOLTS	WATTS	ACTIVATION GPM	TEMP RISE @	TEMP RISE @	TEMP RISE @
					1.00 GPM	1.25 GPM	1.50 GPM
M-30 / 208	30	208	6240	0.65	43	34	28
M-30 / 240	30	240	7200	0.65	49	39	33
M-30 / 277	30	277	8320	0.65	57	45	38
M-40 / 208	40	208	8320	0.65	57	45	38
M-40 / 240	40	240	9600	0.65	66	52	44
M-40 / 277	40	277	11080	0.65	76	61	50
M-50 / 240	48	240	11520	0.65	79	63	52

Complies with Standards for:



Federal Public Law 111-380 (No Lead)



**CHRONOMITE LABORATORIES, INC.**  
17451 Hurley St. :: City of Industry, CA 91744  
Phone 800-447-4962 :: 626-937-4270  
Fax 626-937-4279 :: www.chronomite.com

MEMBER OF



# INSTANT-FLOW<sup>®</sup> MICRO - STANDARD FLOW

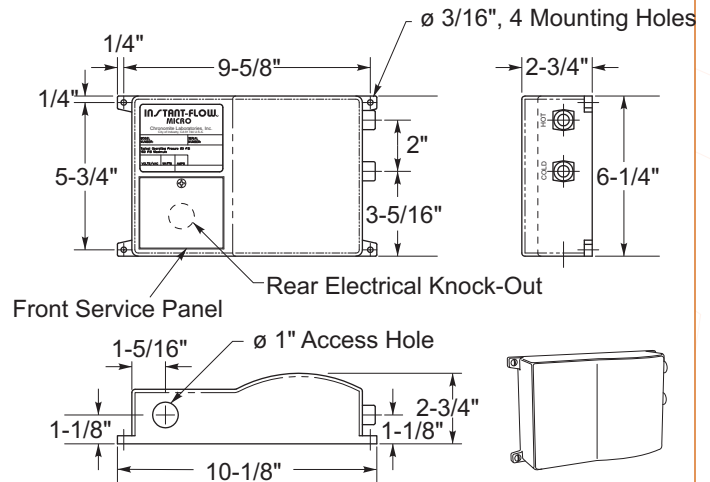
## TECHNICAL DIMENSIONS

### INSTANT-FLOW<sup>®</sup> MICRO - STANDARD FLOW

Dimensions:	6-1/4" (H) x 9-5/8" x 2-3/4"
Weight:	5 lbs.
Materials:	Rugged cast aluminum housing Celcon plastic element assembly with nichrome coils
Housing Color:	White
Minimum Operating Flow Rate:	0.65 GPM
Minimum Operating Pressure:	25 PSI
Maximum Operating Pressure:	150 PSI
Maximum Operating Temperature:	140°F
Listing:	UL, IAPMO, UPC, ADA

#### GENERAL NOTES:

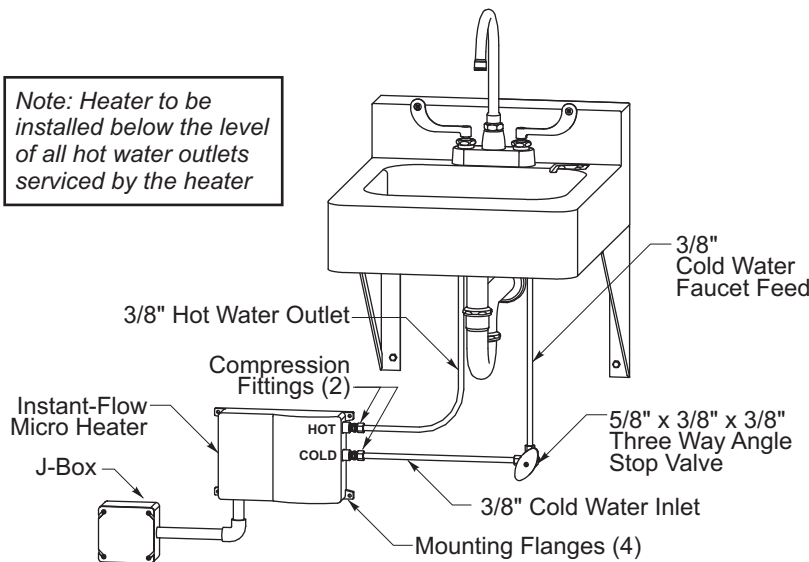
- The microprocessor adjusts the heater's power for variations in flow rates, inlet water temperature and pressure to assure the selected factory preset water temperature.
- 240V models when operated at 220V will have approximately a 15% wattage decrease.



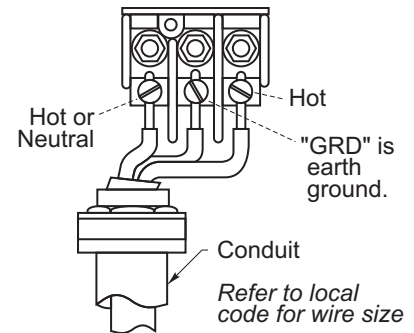
- Factory setting of 110°F or above require cold water mixing at the hand wash faucet.
- Microprocessor limits temperature increase according to the pre-selected temperature.

## INSTALLATION DIAGRAM

Note: Heater to be installed below the level of all hot water outlets serviced by the heater



## WIRING CONNECTION



**ATTENTION:**  
Unit must be hard wired.  
NOTE: Heaters are single phase.  
All tests are measured at the output of the heater.

Chronomite Laboratories assumes no responsibility for use of void or suspended data. © Copyright Chronomite Laboratories, Inc. Member of Morris Group International, City of Industry, CA Please visit [www.chronomite.com](http://www.chronomite.com) for most current specifications.

SELECTION SUMMARY & APPROVAL FOR MANUFACTURING

Company \_\_\_\_\_

Model Number & Options \_\_\_\_\_ Quantity \_\_\_\_\_

Contact \_\_\_\_\_ Title \_\_\_\_\_

Signature (Approval for Manufacturing) \_\_\_\_\_ Date \_\_\_\_\_

**CHRONOMITE**  
LABORATORIES, INC.

PH. 800-447-4962

626-937-4270

FAX 626-937-4279

[www.chronomite.com](http://www.chronomite.com)